

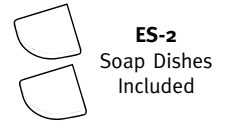
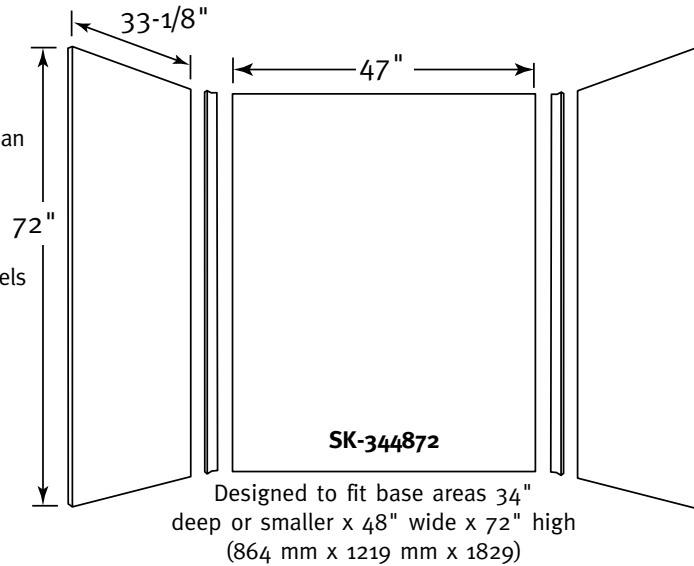
**WARRANTY**  
Limited Lifetime – Residential  
Limited 25-year – Commercial

**Manufactured from Swanstone solid surface**  
(see page 2 for detailed information)

*Recommended for high use traffic areas and commercial surfaces*

**FEATURES**

- Reinforced solid surface means color and texture run all the way through and cannot wear away
- Will not mold or mildew, no grout to clean
- Ideal for remodeling, panels glue up over existing surface
- Coordinates with Swanstone Vanity Tops, Shower Floors and Decorative Panels
- A complete kit with everything you need to design your shower
- Wall panels are cut to fit most shower applications with no trimming required
- Heat resistant—walls can handle steamer units
- Compression molding means superior durability



- The SK-344872 is a 5-piece shower wall panel system with a smooth surface

**SPECIFICATIONS**

**SK-344872 Swanstone Shower Wall Kit**

Model	Part	Base Area Designed To Fit	Ship Wt. Lb.	Ship UPS	Carton Dims. In.	Cu. Ft.
SK-344872	SK344872	34" D* x 48" W x 72" H (864 mm x 1219 mm x 1829 mm) (*or smaller)	170	-	74 x 49 x 4	7.38

Kit Includes: Two side panels, one back panel, two corner molding strips, two corner soap dishes, installation materials and complete installation instructions.  
Packaging: Each kit is packed in an individual carton.

**ACCESSORIES**

See pages 83-84 for complete listing of all wall accessories.

**STANDARDS AND RATINGS**

Class 1A fire rating  
National Sanitation Foundation-NSF Splash Zone, -NSF Food Zone  
American Society for Testing and Materials  
National Electrical Manufacturers Association

For a complete list of tests and results see the Technical Data Sheet – page 131.

**SUPPORT DOCUMENTS**

Installation instructions available on line at [www.swanstone.com](http://www.swanstone.com)

 **MADE IN USA.**

**COLORS**

(See inside back cover for color sample.)

- White (010)
- Bone (037)
- Bisque (018)
- Almond Galaxy (046)
- Arctic Granite (035)
- Barley (091)
- Bermuda Sand (040)
- Gray Granite (042)
- Green Pasture (095)
- Sierra (094)
- Tahiti Blue (056)
- Tahiti Desert (050)
- Tahiti Evergreen (057)
- Tahiti Gray (053)
- Tahiti Ivory (059)
- Tahiti Matrix (058)
- Tahiti Rose (052)
- Tahiti Sand (051)
- Tahiti Terra (055)
- Tahiti White (011)
- Cornflower (063)
- Ironweed (061)
- Night Sky (012)
- Purple Sage (064)
- Wild Indigo (022)
- Winter Wheat (060)
- Indian Grass (071)
- Pebble (072)
- Seafoam (074)
- Glacier (121)
- Prairie (122)
- Acorn (123)
- Canyon (124)
- Cloud White (125)
- Cloud Bone (126)
- Baby's Breath (168)
- Caraway Seed (169)

**MAINTENANCE AND CLEANING INFORMATION**

Abrasive cleansers are safe for Swanstone walls but are not recommended if used in conjunction with a Swanstone or Veritek shower base or bathtub which is designed with high sheen areas to prevent soap scum build-up. Prolonged scrubbing of Swanstone walls with these products could dull the surface of the Swanstone or Veritek base and promote the build-up of soap scum. **Do not** use "leave on" cleaning products such as the Automatic Shower Cleaner. Prolonged contact with harsh chemicals could have an adverse reactive over time and discolor your surfaces. **Do not** use cleaning agents that caution use on acrylic, polyester or plastics.