

Manufactured from Swanstone solid surface
(See page 2 for detailed information.)

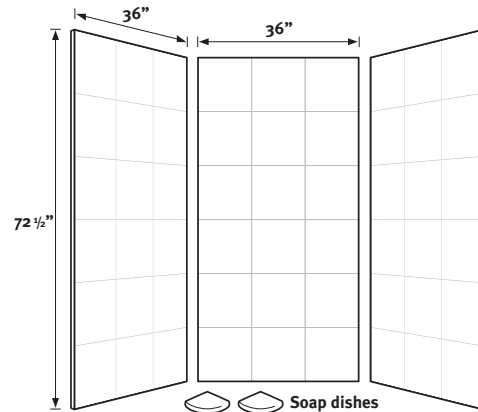
WARRANTY

Limited Lifetime – Residential
Limited 25-year – Commercial

Recommended for high-use traffic areas and commercial surfaces.

FEATURES

- Chamfered-edges on the 12-inch square tile pattern provide the high-end look of travertine.
- No grout to maintain; will not mold or mildew.
- Ideal for remodeling; easier to install than tile—panels glue up over existing surface.
- Coordinates with Swanstone bath products.
- Heat resistant—walls can handle steamer units.
- Compression molding means superior durability.



Model SQMK 72-3636

Designed to fit base areas
36" deep or smaller x 36" wide x 72" high

SPECIFICATIONS

SQMK72-3636 Swanstone Square Tile Shower Wall Kit

Model	Part	Base Area Designed To Fit	Ship Wt. Lb.	Ship FedEx	Carton Dims. In.	Cu. Ft.
SQMK72-3636	SQMK723636	36"D* x 36"W x 72-1/2"H (914 mm x 914 mm x 1829 mm) (*or smaller)	192	-	42 x 4 x 78	7.6

Kit Includes: Two side panels, one back panel, two corner soap dishes and installation materials.

Packaging: Each kit is packed in an individual carton.

ACCESSORIES

See pages 59-60 for complete listing of all wall accessories.

STANDARDS AND RATINGS

American Society of Testing and Materials (ASTM) E-84: Class A Flame Spread Rating
American National Standard Institute—ANSI Z124.6

International Association of Plumbing and Mechanical Officials (IAPMO)—Listed
cUPC listed—Certified to CSA Test Standard B45.5 by IAPMO

Uniform Plumbing Code (UPC)

For a complete list of tests and results see the Technical Data Sheet – page 175.

SUPPORT DOCUMENTS

Installation instructions available at swanstone.com.

 **MADE IN USA**

COLORS

(See inside back cover for color sample.)

Solid Colors:

- White (010)
- Bone (037)
- Bisque (018)
- Bright White (137)
- Pearl (138)

Aggregate Colors:

- Acorn (123) 
- Almond Galaxy (046)
- Arctic Granite (035)
- Baby's Breath (168)
- Barley (091)
- Bermuda Sand (040)
- Canyon (124) 
- Caraway Seed (169)
- Cloud Bone (126)
- Cloud White (125)
- Cornflower (063)
- Glacier (121) 

- Golden Steppe (128)
- Gray Granite (042)
- Ice (130)
- Indian Grass (071)
- Mountain Haze (129)
- Night Sky (012)
- Pebble (072)
- Prairie (122) 
- Sierra (094)
- Tahiti Desert (050)
- Tahiti Gray (053)
- Tahiti Ivory (059)
- Tahiti Matrix (058)
- Tahiti Sand (051)
- Tahiti Terra (055)
- Tahiti White (011)
- Tundra (131)
- Winter Wheat (060)

MAINTENANCE AND CLEANING INFORMATION

Clean regularly with common household liquid cleaners and rinse within five minutes of application. Occasional scrubbing with abrasive cleaners ensures that the original luster will be maintained. **Do not** use "leave on" cleaning products, such as automatic spray shower cleaners. Prolonged contact with harsh chemicals could have an adverse reaction over time and discolor surfaces. **Do not** use cleaning agents that caution use on acrylic, polyester or plastics.

WARRANTY

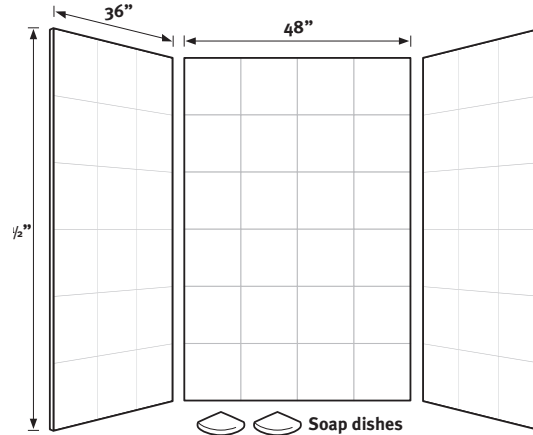
Limited Lifetime – Residential
Limited 25-year – Commercial

Manufactured from Swanstone solid surface
(See page 2 for detailed information.)

Recommended for high-use traffic areas and commercial surfaces.

FEATURES

- Chamfered-edges on the 12-inch square tile pattern provide the high-end look of travertine.
- No grout to maintain; will not mold or mildew.
- Ideal for remodeling; easier to install than tile—panels glue up over existing surface.
- Coordinates with other Swanstone bath products.
- Heat resistant—walls can handle steamer units.
- Compression molding means superior durability.



Model SQMK 72-3648

Designed to fit base areas
36" deep or smaller x 48" wide x 72" high

SPECIFICATIONS

SQMK72-3648 Swanstone Square Tile Shower Wall Kit

Model	Part	Base Area Designed To Fit	Ship Wt. Lb.	Ship FedEx	Carton Dims. In.	Cu. Ft.
SQMK72-3648	SQMK723648	36"D* x 48"W x 72-1/2"H (914 mm x 1219 mm x 1829 mm) (*or smaller)	144	-	54 x 4 x 78	9.6

Kit Includes: Two side panels, one back panel, two corner soap dishes and installation materials.

Packaging: Each kit is packed in an individual carton.

ACCESSORIES

See pages 59-60 for complete listing of all wall accessories.

STANDARDS AND RATINGS

American Society of Testing and Materials (ASTM) E-84: Class A Flame Spread Rating
American National Standard Institute—ANSI Z124.6

International Association of Plumbing and Mechanical Officials (IAPMO)—Listed
cUPC listed—Certified to CSA Test Standard B45.5 by IAPMO

Uniform Plumbing Code (UPC)

For a complete list of tests and results see the Technical Data Sheet – page 175.

SUPPORT DOCUMENTS

Installation instructions available at swanstone.com.

 **MADE IN USA**

COLORS

(See inside back cover for color sample.)

Solid Colors:

- White (010)
- Bone (037)
- Bisque (018)
- Bright White (137)
- Pearl (138)

Aggregate Colors:

- Acorn (123) 🍂
- Almond Galaxy (046)
- Arctic Granite (035)
- Baby's Breath (168)
- Barley (091)
- Bermuda Sand (040)
- Canyon (124) 🍂
- Caraway Seed (169)
- Cloud Bone (126)
- Cloud White (125)
- Cornflower (063)
- Glacier (121) 🍂

- Golden Steppe (128)
- Gray Granite (042)
- Ice (130)
- Indian Grass (071)
- Mountain Haze (129)
- Night Sky (012)
- Pebble (072)
- Prairie (122) 🍂
- Sierra (094)
- Tahiti Desert (050)
- Tahiti Gray (053)
- Tahiti Ivory (059)
- Tahiti Matrix (058)
- Tahiti Sand (051)
- Tahiti Terra (055)
- Tahiti White (011)
- Tundra (131)
- Winter Wheat (060)

MAINTENANCE AND CLEANING INFORMATION

Clean regularly with common household liquid cleaners and rinse within five minutes of application. Occasional scrubbing with abrasive cleaners ensures that the original luster will be maintained. **Do not** use "leave on" cleaning products, such as automatic spray shower cleaners. Prolonged contact with harsh chemicals could have an adverse reaction over time and discolor surfaces. **Do not** use cleaning agents that caution use on acrylic, polyester or plastics.

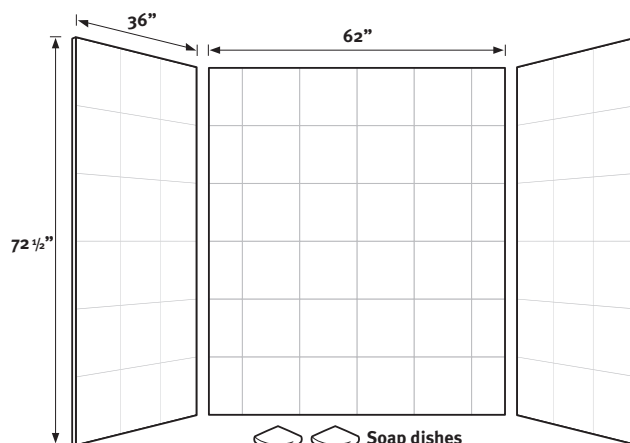
Manufactured from Swanstone solid surface
(See page 2 for detailed information.)

WARRANTY
Limited Lifetime – Residential
Limited 25-year – Commercial

Recommended for high-use traffic areas and commercial surfaces.

FEATURES

- Chamfered-edges on the 12-inch square tile pattern provide the high-end look of travertine.
- No grout to maintain; will not mold or mildew.
- Ideal for remodeling; easier to install than tile—panels glue up over existing surface.
- Coordinates with other Swanstone bath products.
- Heat resistant—walls can handle steamer units.
- Compression molding means superior durability.



Model SQMK 72-3662

Designed to fit base areas
36" deep or smaller x 62" wide x 72" high

SPECIFICATIONS

SQMK72-3662 Swanstone Square Tile Shower Wall Kit

Model	Part	Base Area Designed To Fit	Ship Wt. Lb.	Ship FedEx	Carton Dims. In.	Cu. Ft.
SQMK72-3662	SQMK723662	36"D* x 62"W x 72-1/2"H (914 mm x 1575 mm x 1829 mm) (*or smaller)	247	-	68 x 4 x 78	12.3

Kit Includes: Two side panels, one back panel, two corner soap dishes and installation materials.

Packaging: Each kit is packed in an individual carton.

ACCESSORIES

See pages 59-60 for complete listing of all wall accessories.

STANDARDS AND RATINGS

American Society of Testing and Materials (ASTM) E-84: Class A Flame Spread Rating
American National Standard Institute—ANSI Z124.6

International Association of Plumbing and Mechanical Officials (IAPMO)—Listed
cUPC listed—Certified to CSA Test Standard B45.5 by IAPMO

Uniform Plumbing Code (UPC)

For a complete list of tests and results see the Technical Data Sheet – page 175.

SUPPORT DOCUMENTS

Installation instructions available at swanstone.com.

 **MADE IN USA**

COLORS

(See inside back cover for color sample.)

Solid Colors:

- White (010)
- Bone (037)
- Bisque (018)
- Bright White (137)
- Pearl (138)

Aggregate Colors:

- Acorn (123) ✂
- Almond Galaxy (046)
- Arctic Granite (035)
- Baby's Breath (168)
- Barley (091)
- Bermuda Sand (040)
- Canyon (124) ✂
- Caraway Seed (169)
- Cloud Bone (126)
- Cloud White (125)
- Cornflower (063)
- Glacier (121) ✂

- Golden Steppe (128)
- Gray Granite (042)
- Ice (130)
- Indian Grass (071)
- Mountain Haze (129)
- Night Sky (012)
- Pebble (072)
- Prairie (122) ✂
- Sierra (094)
- Tahiti Desert (050)
- Tahiti Gray (053)
- Tahiti Ivory (059)
- Tahiti Matrix (058)
- Tahiti Sand (051)
- Tahiti Terra (055)
- Tahiti White (011)
- Tundra (131)
- Winter Wheat (060)

MAINTENANCE AND CLEANING INFORMATION

Clean regularly with common household liquid cleaners and rinse within five minutes of application. Occasional scrubbing with abrasive cleaners ensures that the original luster will be maintained. **Do not** use "leave on" cleaning products, such as automatic spray shower cleaners. Prolonged contact with harsh chemicals could have an adverse reaction over time and discolor surfaces. **Do not** use cleaning agents that caution use on acrylic, polyester or plastics.

WARRANTY

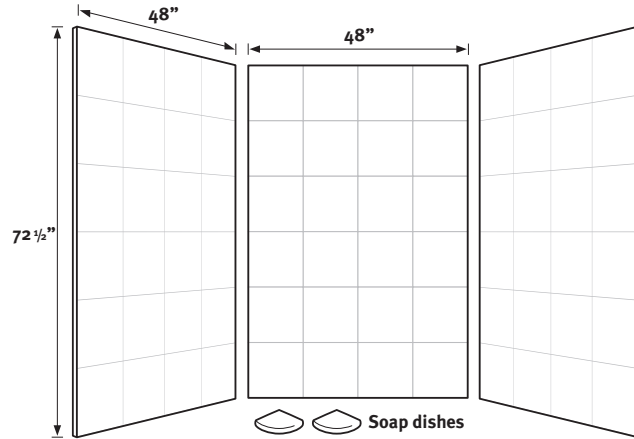
Limited Lifetime – Residential
Limited 25-year – Commercial

Manufactured from Swanstone solid surface
(See page 2 for detailed information.)

Recommended for high-use traffic areas and commercial surfaces.

FEATURES

- Chamfered-edges on the 12-inch square tile pattern provide the high-end look of travertine.
- No grout to maintain; will not mold or mildew.
- Ideal for remodeling; easier to install than tile—panels glue up over existing surface.
- Coordinates with other Swanstone bath products.
- Heat resistant—walls can handle steamer units.
- Compression molding means superior durability.



Model SQMK 72-4848

Designed to fit base areas
48" deep or smaller x 48" wide x 72" high

SPECIFICATIONS

SQMK72-4848 Swanstone Square Tile Shower Wall Kit

Model	Part	Base Area Designed To Fit	Ship Wt. Lb.	Ship FedEx	Carton Dims. In.	Cu. Ft.
SQMK72-4848	SQMK724848	48"D* x 48"W x 72-1/2"H (1219 mm x 1219 mm x 1829 mm) (*or smaller)	258	-	54 x 4 x 78	9.6

Kit Includes: Two side panels, one back panel, two corner soap dishes and installation materials.

Packaging: Each kit is packed in an individual carton.

ACCESSORIES

See pages 59-60 for complete listing of all wall accessories.

STANDARDS AND RATINGS

American Society of Testing and Materials (ASTM) E-84: Class A Flame Spread Rating

American National Standard Institute—ANSI Z124.6

International Association of Plumbing and Mechanical Officials (IAPMO)—Listed

cUPC listed—Certified to CSA Test Standard B45.5 by IAPMO

Uniform Plumbing Code (UPC)

For a complete list of tests and results see the Technical Data Sheet – page 175.

SUPPORT DOCUMENTS

Installation instructions available at swanstone.com.

 **MADE IN USA**

COLORS

(See inside back cover for color sample.)

Solid Colors:

- White (010)
- Bone (037)
- Bisque (018)
- Bright White (137)
- Pearl (138)

Aggregate Colors:

- Acorn (123) 🍂
- Almond Galaxy (046)
- Arctic Granite (035)
- Baby's Breath (168)
- Barley (091)
- Bermuda Sand (040)
- Canyon (124) 🍂
- Caraway Seed (169)
- Cloud Bone (126)
- Cloud White (125)
- Cornflower (063)
- Glacier (121) 🍂

- Golden Steppe (128)
- Gray Granite (042)
- Ice (130)
- Indian Grass (071)
- Mountain Haze (129)
- Night Sky (012)
- Pebble (072)
- Prairie (122) 🍂
- Sierra (094)
- Tahiti Desert (050)
- Tahiti Gray (053)
- Tahiti Ivory (059)
- Tahiti Matrix (058)
- Tahiti Sand (051)
- Tahiti Terra (055)
- Tahiti White (011)
- Tundra (131)
- Winter Wheat (060)

MAINTENANCE AND CLEANING INFORMATION

Clean regularly with common household liquid cleaners and rinse within five minutes of application. Occasional scrubbing with abrasive cleaners ensures that the original luster will be maintained. **Do not** use "leave on" cleaning products, such as automatic spray shower cleaners. Prolonged contact with harsh chemicals could have an adverse reaction over time and discolor surfaces.

Do not use cleaning agents that caution use on acrylic, polyester or plastics.