

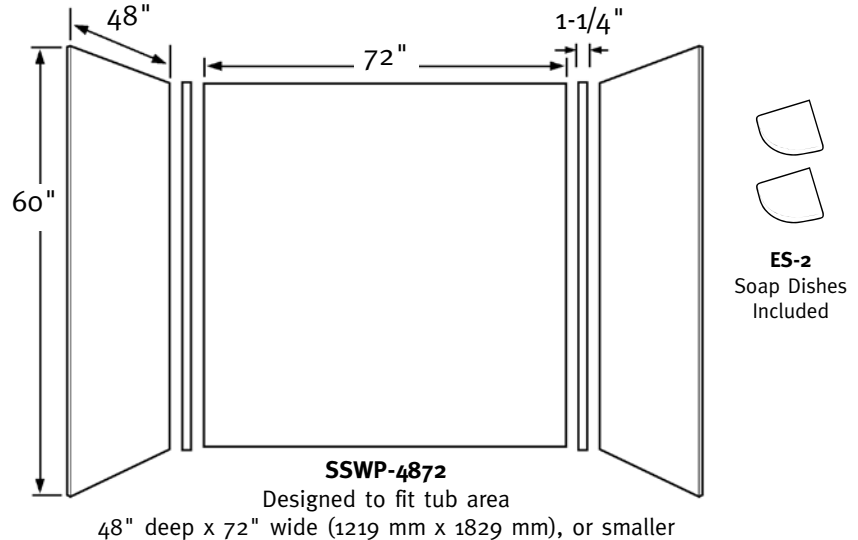
WARRANTY
Limited Lifetime – Residential
Limited 25-year – Commercial

Manufactured from Swanstone solid surface
(see page 2 for detailed information)

Recommended for high use traffic areas and commercial surfaces

FEATURES

- Stunning look adds elegance to your bath
- A variety of colors to choose from to customize a bath
- Will not mold or mildew, no grout to clean
- Ideal for both remodeling projects and new construction
- Heat resistant—walls can handle steamer units
- Reinforced solid surface means color and texture run all the way through and cannot wear away
- Upgrade glue-up wall system includes a single back panel, two side panels and two corner molding strips
- Optional TK-105 trim kit available



SPECIFICATIONS

SSWP-4872 Whirlpool Tub 3-Panel Wall Kit

Model	Part	Tub Area Designed To Fit	Ship Wt. Lb.	Ship UPS	Carton Dims. In.	Cu. Ft.
SSWP-4872	SS04872WP	48" D x 72" W (1219 mm x 1829 mm) (or smaller)	214	-	75 x 62 x 3	6.64

Kit Includes: One flat back panel, two flat side panels, two corner moldings, two soap dishes, installation materials and complete installation instructions.

Packaging: Each kit is packed in a flat, rectangular carton.

See pages 83-84 for complete listing of all tub wall accessories.

STANDARDS AND RATINGS

Class 1A fire rating

National Sanitation Foundation-NSF Splash Zone, -NSF Food Zone

American Society for Testing and Materials

National Electrical Manufacturers Association

For a complete list of tests and results see the Technical Data Sheet – page 131.

SUPPORT DOCUMENTS

Installation instructions available on line at www.swanstone.com

 **MADE IN USA.**

COLORS

(See inside back cover for color sample.)

- White (010)
- Bone (037)
- Bisque (018)
- Almond Galaxy (046)
- Arctic Granite (035)
- Barley (091)
- Bermuda Sand (040)
- Gray Granite (042)
- Green Pasture (095)
- Sierra (094)
- Tahiti Blue (056)
- Tahiti Desert (050)
- Tahiti Evergreen (057)
- Tahiti Gray (053)
- Tahiti Ivory (059)
- Tahiti Matrix (058)
- Tahiti Rose (052)
- Tahiti Sand (051)
- Tahiti Terra (055)
- Tahiti White (011)
- Cornflower (063)
- Ironweed (061)
- Night Sky (012)
- Purple Sage (064)
- Wild Indigo (022)
- Winter Wheat (060)
- Indian Grass (071)
- Pebble (072)
- Seafoam (074)
- Glacier (121)
- Prairie (122)
- Acorn (123)
- Canyon (124)
- Cloud White (125)
- Cloud Bone (126)
- Baby's Breath (168)
- Caraway Seed (169)

MAINTENANCE AND CLEANING INFORMATION

Abrasive cleansers are safe for Swanstone walls but are not recommended if used in conjunction with a Swanstone or Veritek shower base or bathtub which is designed with high sheen areas to prevent soap scum build-up. Prolonged scrubbing of Swanstone walls with these products could dull the surface of the Swanstone or Veritek base and promote the build-up of soap scum. **Do not** use "leave on" cleaning products such as the Automatic Shower Cleaner. Prolonged contact with harsh chemicals could have an adverse reactive over time and discolor your surfaces. **Do not** use cleaning agents that caution use on acrylic, polyester or plastics.