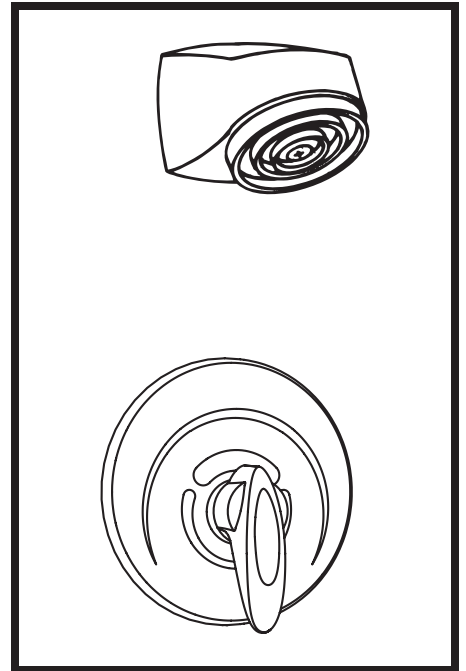


1-100-151 Safetymix® Shower System

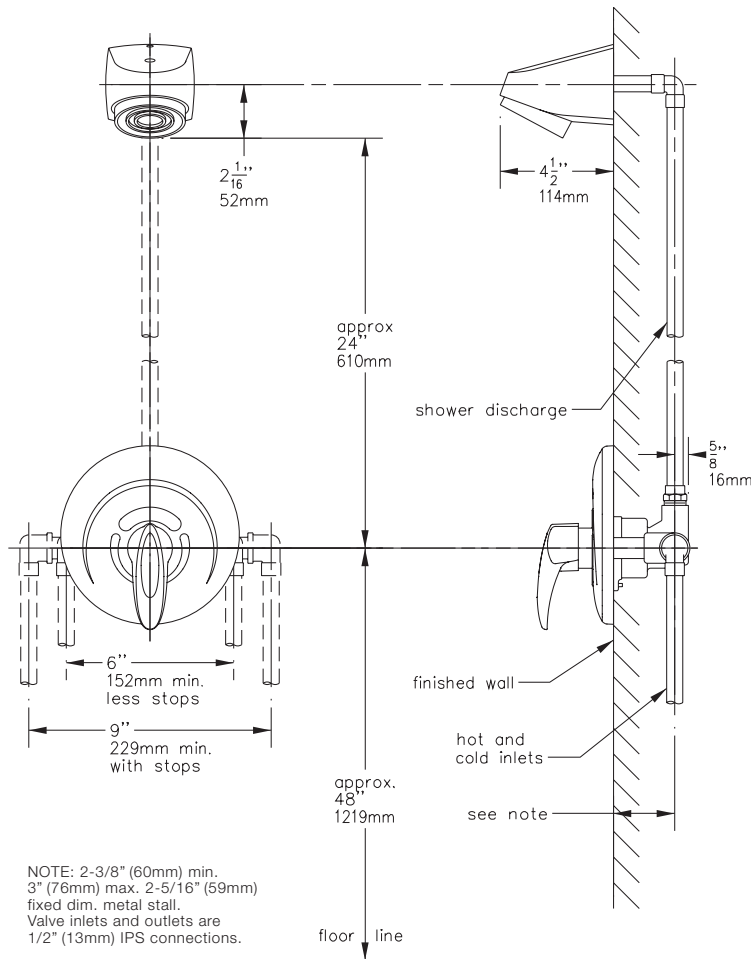
Safetymix Pressure-Balancing mixing valve with lever handle and adjustable stop screw to limit handle turn. Universal shower head with tamper-proof spray pattern adjustment and tamper-proof angular direction of spray adjustment. Internal components designed to guard against mineral build-up.

Modifications:

- Suffix X:** Integral service stops—allows water shut-off at valve for service
- Suffix X-3/4:** 3/4" valve to increase flow approximately 20%
- Suffix VP:** Vandal-resistant escutcheon screws for valve
- Suffix A:** Anchor plate to simplify mounting of Fre-Flo, Senior, and Universal shower heads on ceramic tile



**SYMMONS PRODUCTS MEET
ANSI A112.18.1M, EPA '92
AND ALL KNOWN FLOW RATE
REQUIREMENTS.
Shower Heads and Hand Showers
2.5 GPM (9.5 L/min)**



Job/Location

.....
.....

Engineer

.....
.....

Contractor

.....
.....

This drawing to be used for rough-in installation only. All floor to center dimensions optional. Concealed piping and fittings not furnished by manufacturer. For ADA compliance (Americans with Disabilities Act) consult ADAAG or your state regulations for proper product choice and mounting locations. For complete installation, adjustment and service information see installation instructions.

Symmons Industries, Inc. ■ 31 Brooks Drive ■ Braintree, MA 02184
(800) 796-6667, (781) 848-2250 ■ Fax (800) 961-9621, (781) 843-3849
Website: www.symmons.com ■ Email: customerservice@symmons.com

