

Location:



SYMMONS® Safetymix®

Shower System with Hand Shower 1-117-FS Specification Submittal

Feature Highlights

- Symmons tub and shower system with a lever handle.
- Symmons Safetymix pressure balancing mixing valve with adjustable stop screw to limit handle turn.
- Super showerhead, single mode with adjustable flood or mist spray, #4-231.
- Lever diverter with volume control for showerhead and hand shower, #4-458
- Open-Flo wall/hand shower, with flexible 5 foot metal hose and inline vacume breaker, #FS
- Wall hook for mounting hand shower
- Standard flow rate 2.5 gpm (9.5 L/min)
- Polished chrome finish

Model Numbers

- 1-117-FS Shower System with Hand Shower and Symmons Safetymix pressure balancing mixing valve.

Finish Options

Append appropriate -suffix to model number.

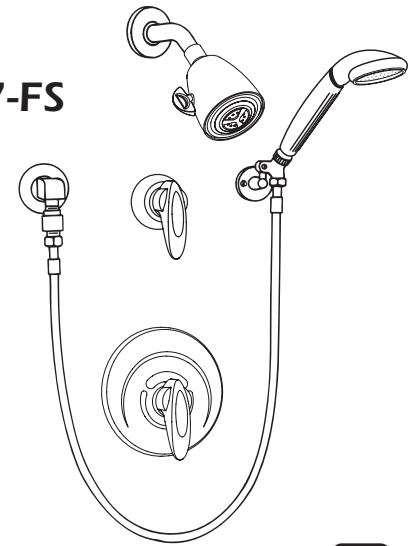
- Polished chrome finish (standard)

Standards / Certifications

ASME A112.18.1-2005/CSA B125.1-05

Warranty

- Limited Lifetime - to the original end purchaser in residential/consumer installations.
- 5 years - for commercial installations

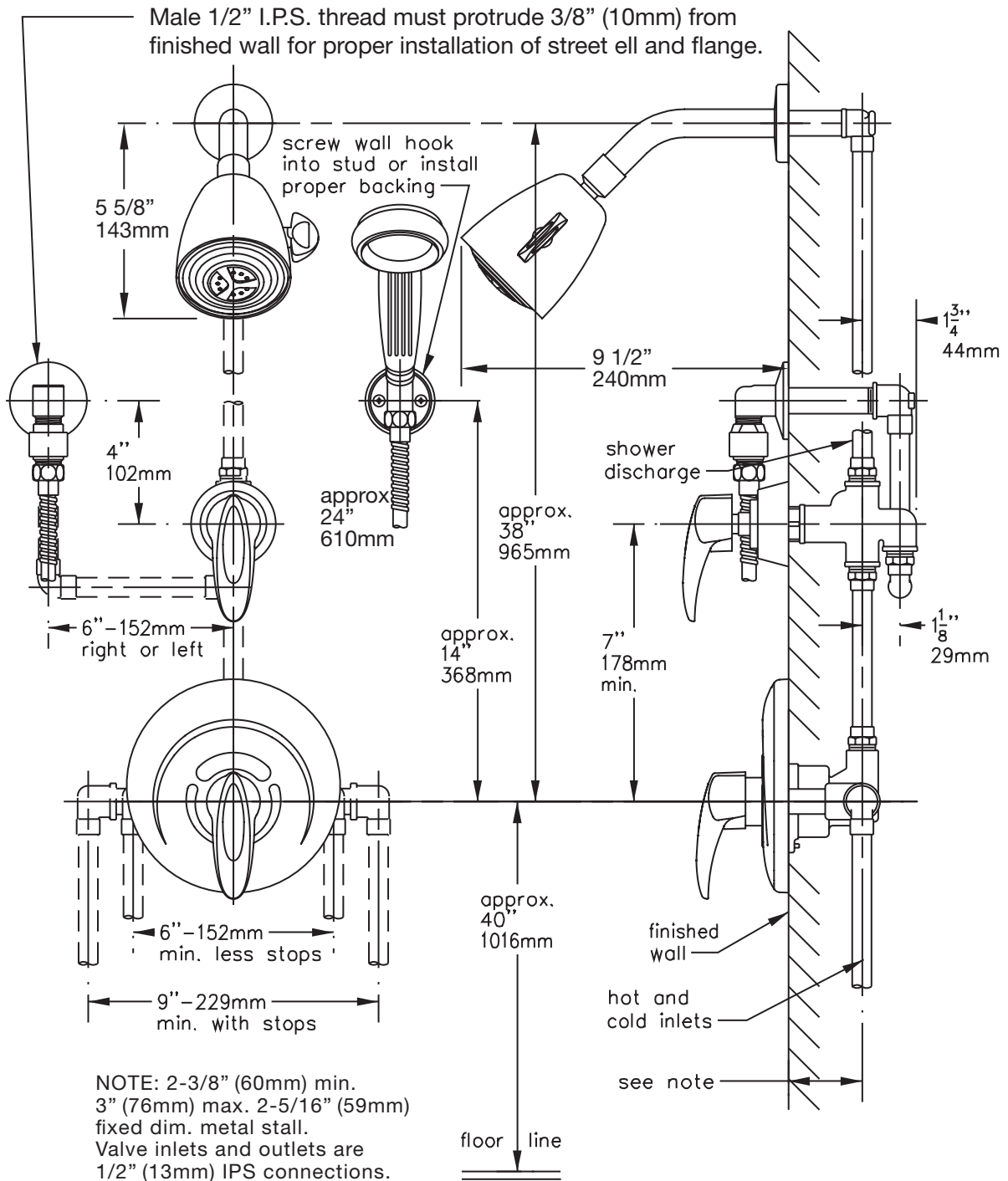


Options / Modifications

Append appropriate -suffix to model number.

- X Symmons Safetymix pressure balancing mixing valve includes integral service stops to allow water shut-off for service
- X-3/4 3/4" valve to increase flow approximately 20%
- X-REV Reverse coring, hot on right, cold on left, for back to back installations with integral stops only.
- X-CHKS Integral check stops—for use in installations where a positive shut-off device is used downstream of mixing valve
- B30 30" slide bar in place of wall hook
- B48 48" slide bar in place of wall hook
- NU NU-Arm showerhead bracket in place of #300 standard arm and flange.
- G Dial thermometer
- R Vinyl hose in place of metal hose
- 6 6 foot hand shower hose in place of standard 5 foot hose

Dimensions *Safetymix Tub and Shower System, 1-117-FS*



Symmons Industries, Inc. ■ 31 Brooks Drive ■ Braintree, MA 02184
 (800) 796-6667, (781) 848-2250 ■ Fax (800) 961-9621, (781) 664-1300
 Website: www.symmons.com ■ Email: customerservice@symmons.com

©2010 Symmons Industries, Inc. Printed in U.S.A. ■ 082510

SYMMONS[®]
 the smart choice™