

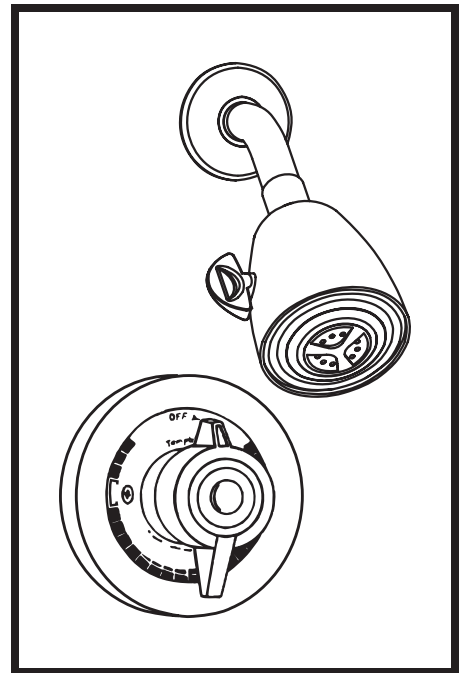
# BP-56-1-231 Temptrol II™ Shower System

Temptrol II Pressure Balancing mixing valve with lucite handle and adjustable stop screw to limit handle turn. Super shower head with arm and flange.

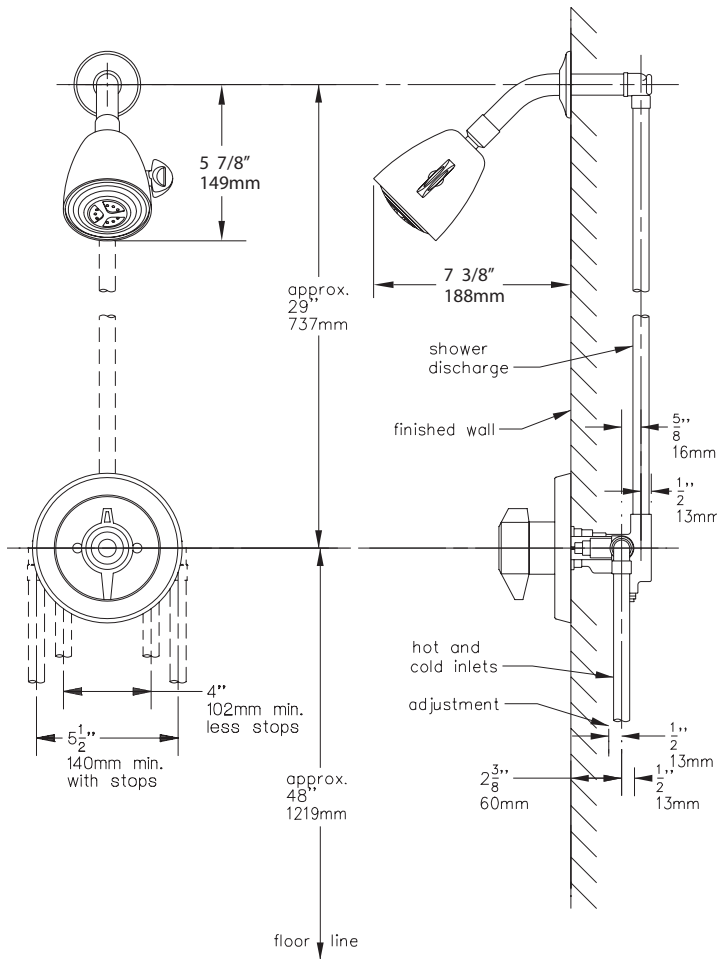
## Modifications:

**Suffix X:** Integral service stops—allows water shut-off at valve for service

**Suffix B:** Chrome brass escutcheon on valve



**SYMMONS PRODUCTS MEET  
ANSI A112.18.1M, EPA '92  
AND ALL KNOWN FLOW RATE  
REQUIREMENTS.  
Shower Heads and Hand Showers  
2.5 GPM (9.5 L/min)**



### Job/Location

.....  
.....

### Engineer

.....  
.....

### Contractor

.....  
.....

This drawing to be used for rough-in installation only. All floor to center dimensions optional. Concealed piping and fittings not furnished by manufacturer. For ADA compliance (Americans with Disabilities Act) consult ADAAG or your state regulations for proper product choice and mounting locations. For complete installation, adjustment and service information see installation instructions.

Symmons Industries, Inc. ■ 31 Brooks Drive ■ Braintree, MA 02184  
(800) 796-6667, (781) 848-2250 ■ Fax (800) 961-9621, (781) 843-3849  
Website: [www.symmons.com](http://www.symmons.com) ■ Email: [customerservice@symmons.com](mailto:customerservice@symmons.com)

