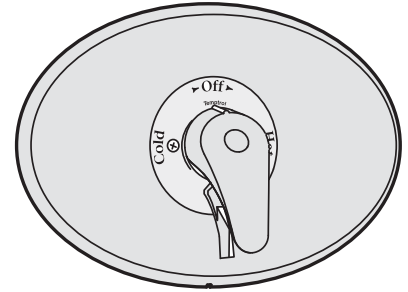


Location:

**SYMMONS®** Deluxe Temptrol™  
**Shower Valve, DS-86-1-OP-LR**  
**Specification Submittal**



### Feature Highlights

- Symmons shower valve with lever handle.
- Symmons Temptrol® pressure balancing mixing valve with integral volume control and adjustable stop screw to limit handle turn.
- Standard polished chrome finish

### Model Numbers

- DS-86-1-OP-LR.... Shower valve with Symmons Temptrol® pressure balancing mixing valve,

### Finish Options / Modifications

*Append appropriate -suffix to model number.*

- STN Satin nickel
  - Polished chrome (standard finish)

### Options / Modifications

*Append appropriate -suffix to model number.*

- IPS 1/2 inch female IPS connections on Symmons Temptrol® mixing valve
- X Symmons Temptrol® pressure balancing mixing valve also includes integral service stops to allow water shut-off for service,

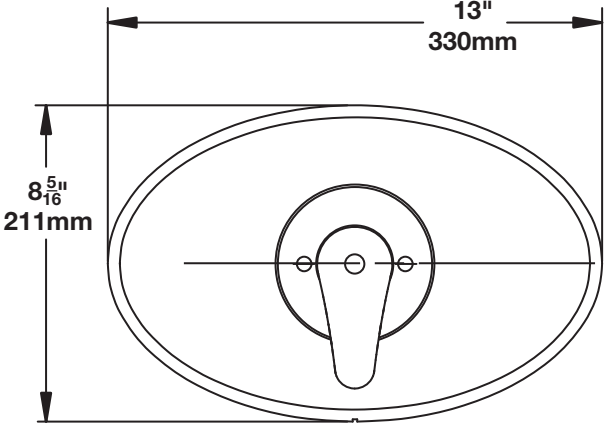
### Standards / Certifications

ASME A112.18.1-2005/CSA B125.1-05

### Warranty

- Limited Lifetime - to the original end purchaser in consumer installations.
- 5 years - for commercial installations

**Dimensions** *Temptrol Deluxe Shower Valve, DS-86-1-OP-LR*



**Note:** Dimensions subject to change without notice.

