



SYMMONS® Andora™

Kitchen Faucet S-26-IPS

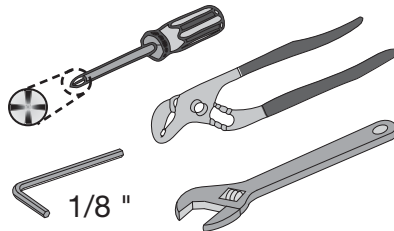
Installation and Service Instructions



Model Numbers

- S-26-IPS..... Chrome finish
- S-26-IPS-STN Satin Nickel finish
- S-26-IPS-STSS..... Stainless Steel finish

Tools & Materials



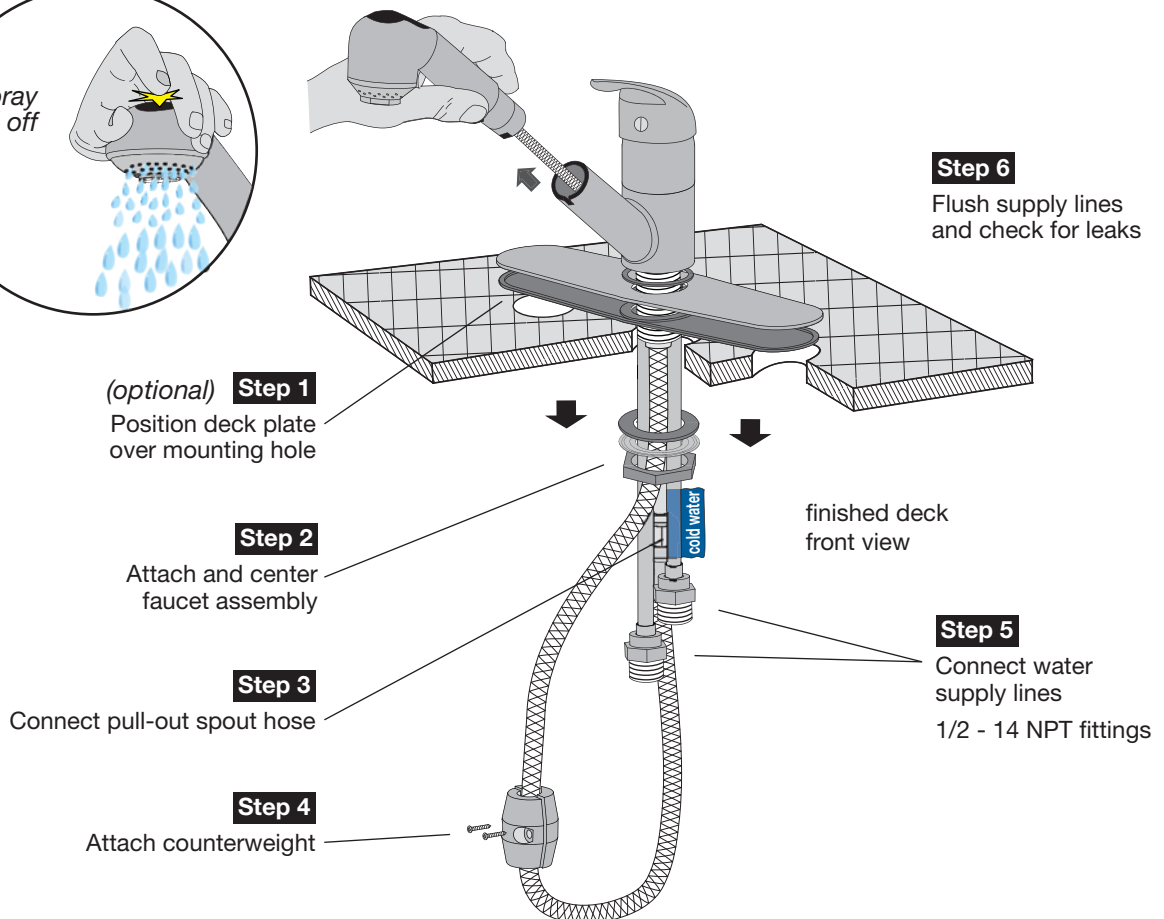
☎ Need Help?

Symmons customer service:
 (800) 796-6667, (781) 848-2250
 Email: customerservice@symmons.com
 Monday - Friday 8:00 am - 7:30 pm EST

🌐 www.symmons.com/service

- Technical help
- Product information
- Warranty policy.

Quick Install Guide *Andora Kitchen Faucet, S-26-IPS*

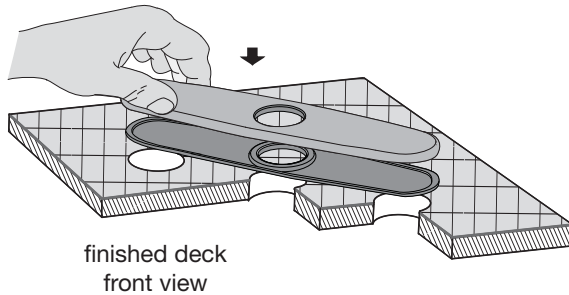


Installation Instructions

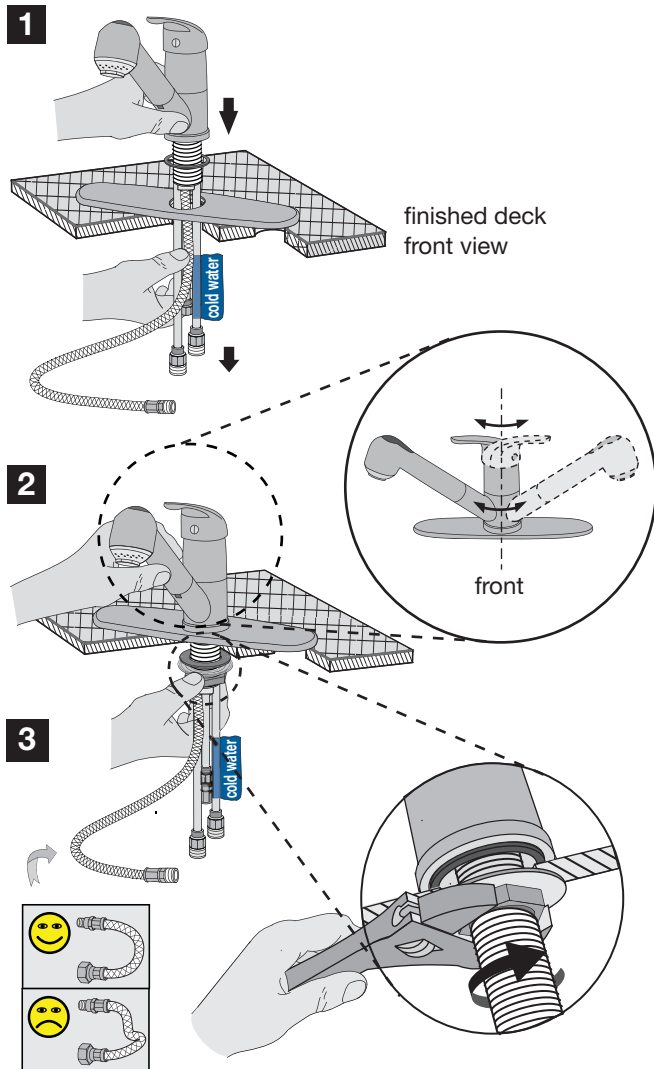
Caution: If replacing an older faucet ensure water supply is turned OFF before removing and then turn faucet handles ON to relieve water pressure.

Step 1 Position deck plate over mounting hole

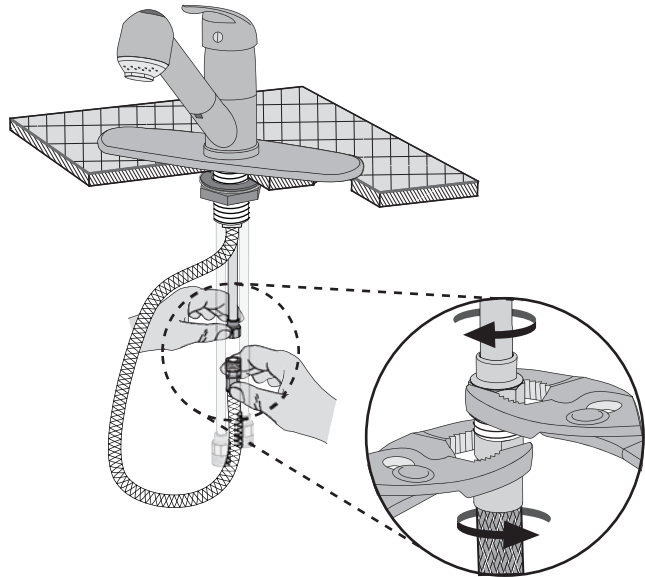
<OPTIONAL> Deck plate is typically used for covering existing holes when faucet is being replaced. Install as required.



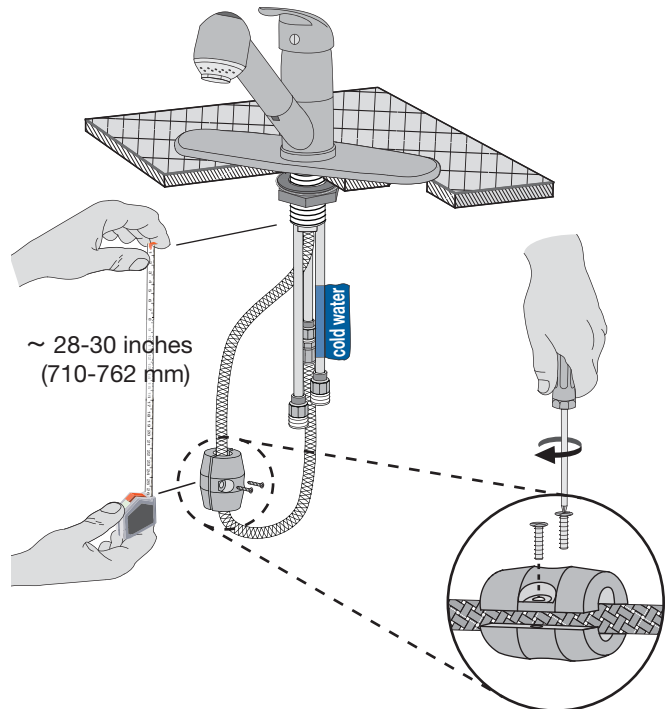
Step 2 Center and attach faucet assembly to deck



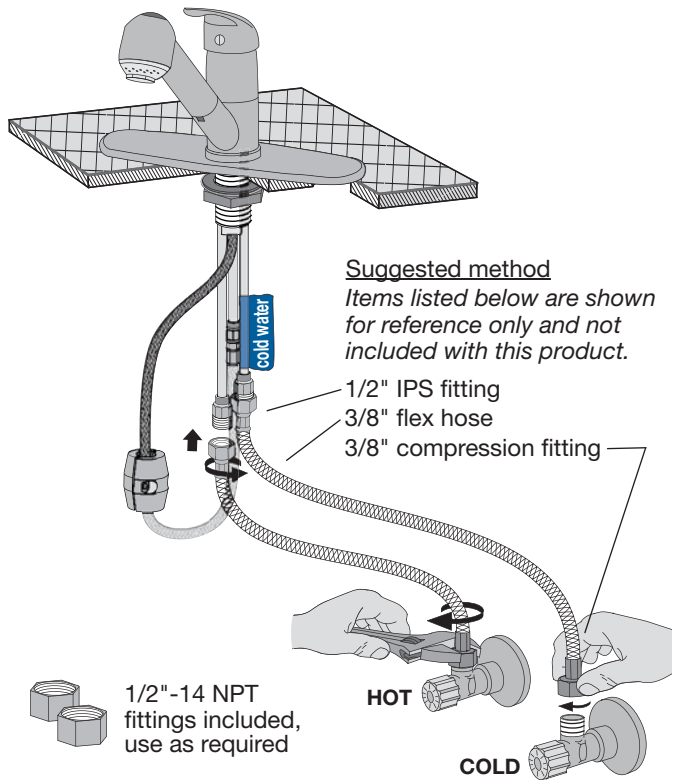
Step 3 Connect pull-out spout hose to supply



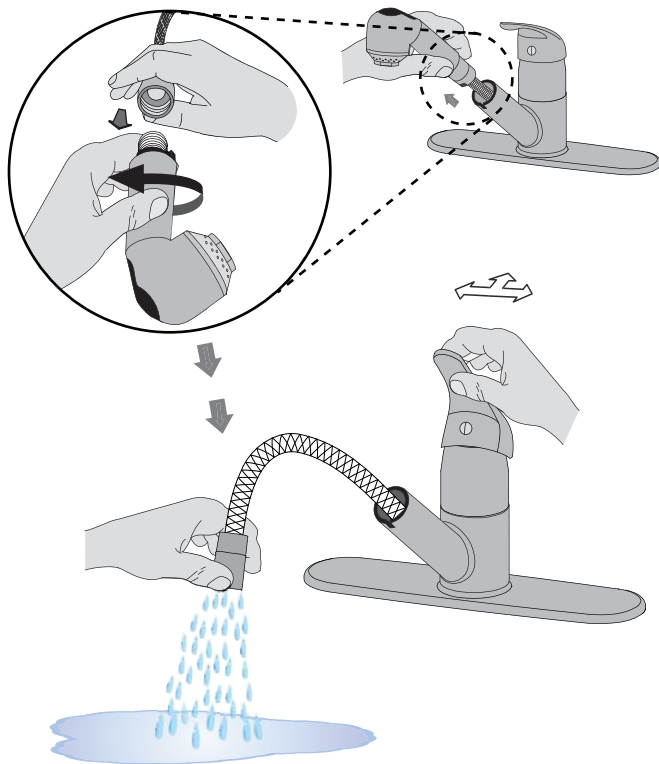
Step 4 Attach counterweight to hose



Step 5 Connect water supply lines



Step 6 Flush supply lines and check for leaks

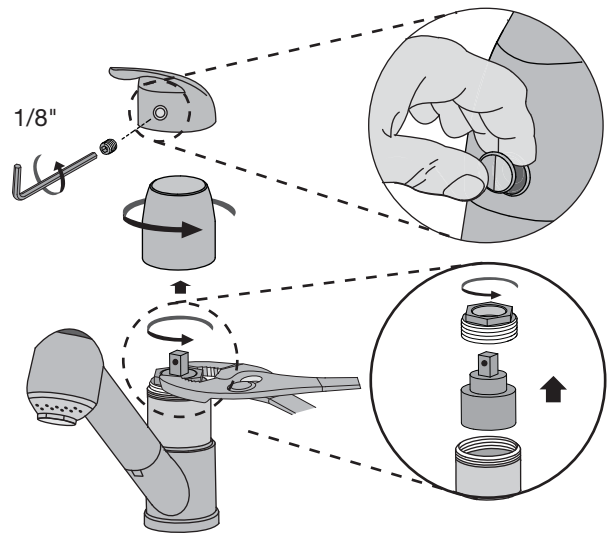


Care of faucet finish

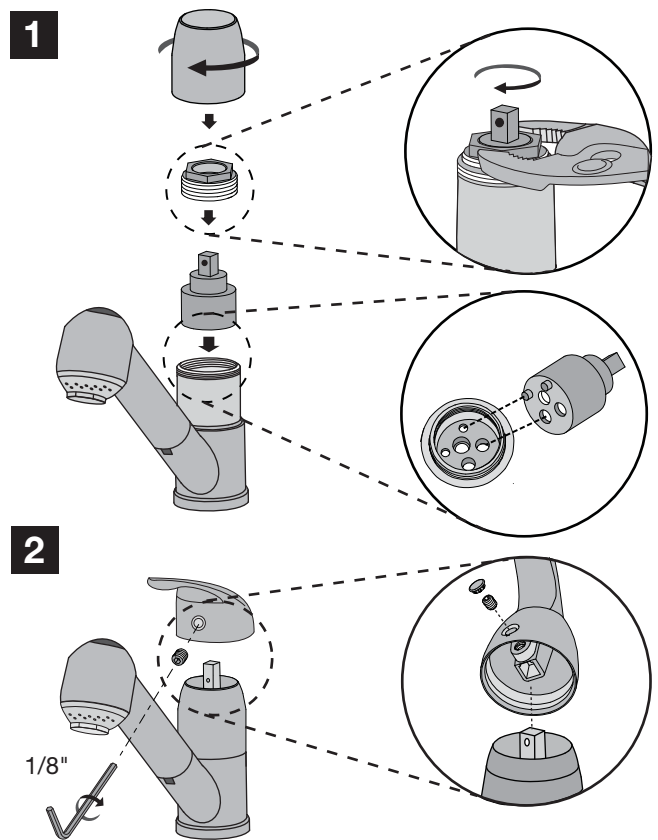
Clean finish area by using mild soap and water or non-abrasive cleaner and then rinse immediately. A non-abrasive wax may be used to preserve finish area.

Valve cartridge replacement

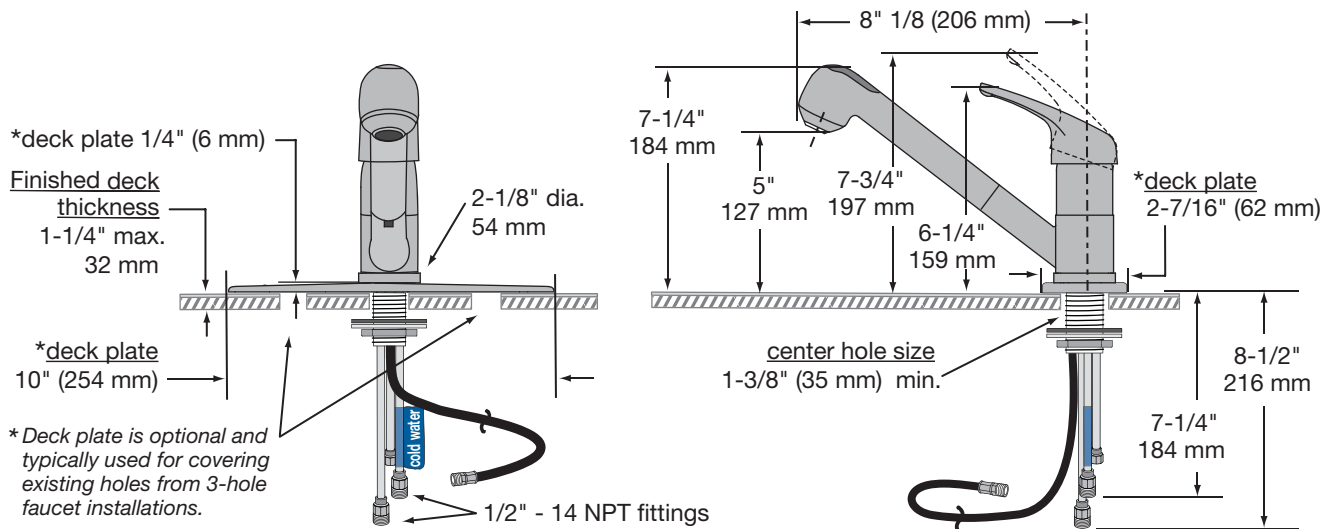
Removing handle and cartridge



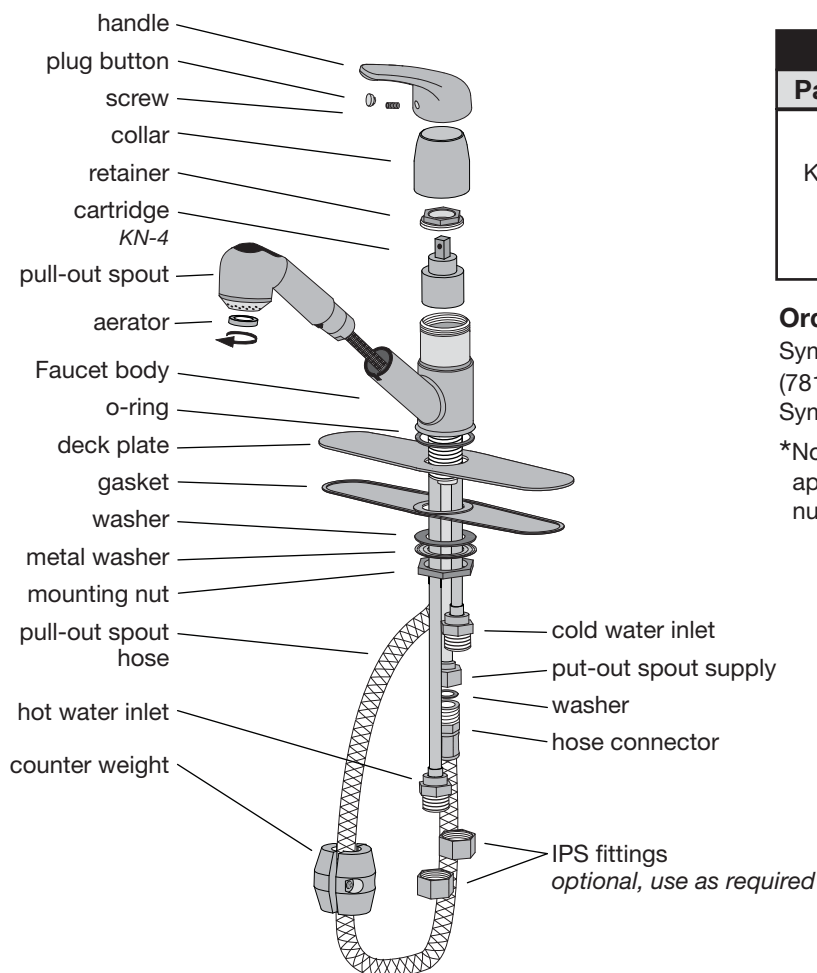
Replace collar and handle




Dimensions *Andora Kitchen Faucet, S-26-IPS*



Parts Assembly *Andora Kitchen Faucet S-26-IPS*



Replacement Parts

Part Number	Item
KN-4	valve cartridge 

Ordering replacement parts:

Symmons customer service: (800) 796-6667, (781) 848-2250 M-F 8:00 am - 7:30 pm EST
Symmons distributors: www.symmons.com

Note: For decorative finish faucets add appropriate letter suffix code to part numbers marked with an asterisk ().