

# Moscato™

**Kitchen Faucet** S-2620 with pull-out spout



## Installation and Service Instructions

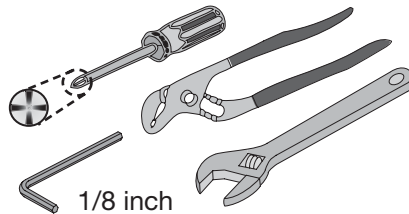
### Model Numbers

S-2620

S-2620-xxx

Note: xxx identifies location of alternative finish code when applicable.

### Tools & Materials



### Need Help?

Symmons customer service:

(800) 796-6667, (781) 848-2250

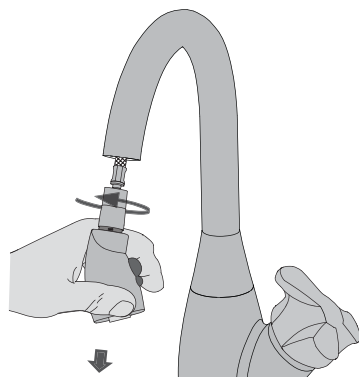
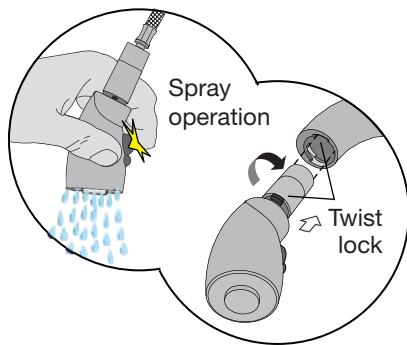
Email: [customerservice@symmons.com](mailto:customerservice@symmons.com)

Monday - Friday 8:00 am - 7:30 pm EST

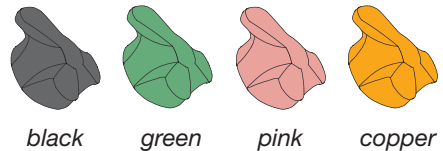
 [www.symmons.com/service](http://www.symmons.com/service)

- Technical help
- Product information
- Warranty policy.

### Quick Install Guide



Optional colored style handles



**Step 7 (optional)**  
Replace standard handle with optional colored style

(optional) **Step 1**  
Fasten deck plate to deck for 3-hole installation only

**Step 2**  
Attach faucet assembly

finished deck front view

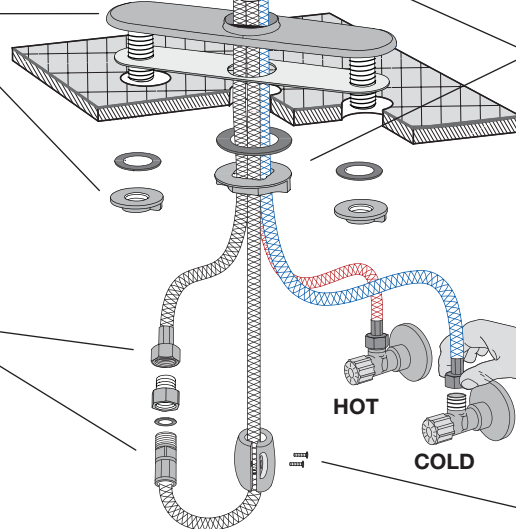
**Step 3**  
Connect pull-out spout hose

**Step 5**  
Connect water supply lines

**Step 6**  
Flush supply lines and check for leaks

HOT  
COLD

**Step 4**  
Attach counterweight

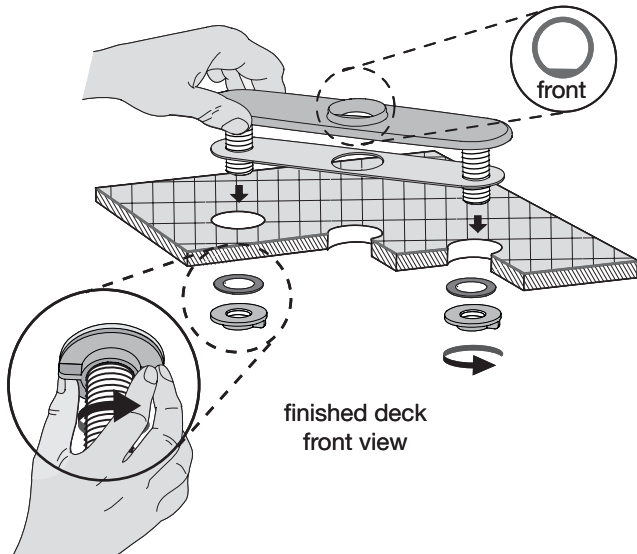


# Installation Instructions

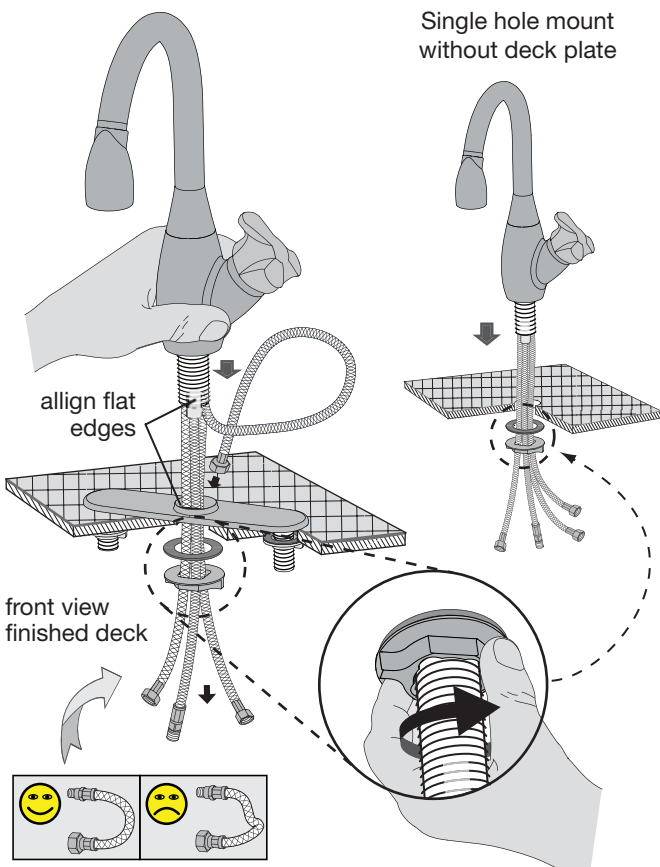
**Caution:** If replacing an older faucet ensure water supply is turned OFF before removing and then turn faucet ON to relieve water pressure.

## Step 1 Attach deck plate to deck (optional)

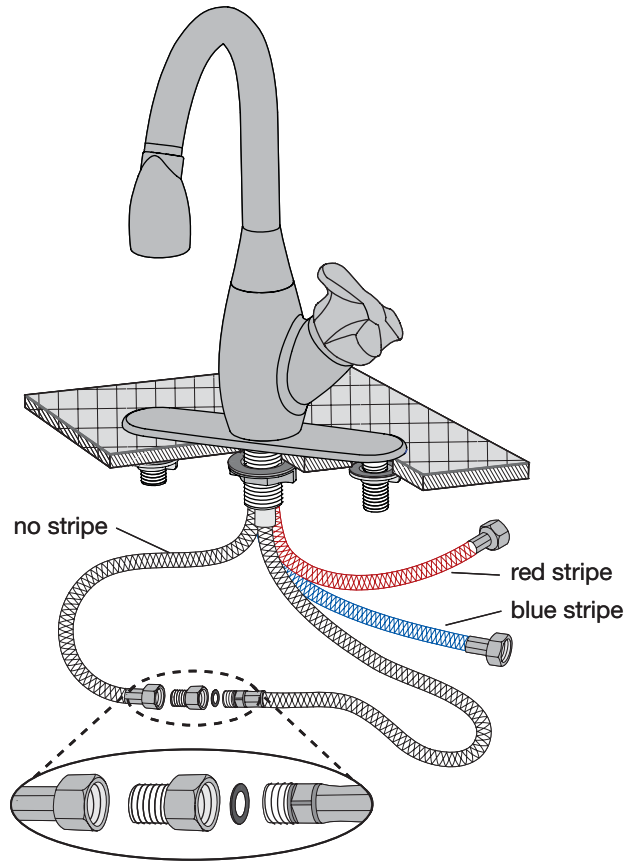
Deck plate is typically used for covering existing holes when faucet is being replaced. Install as required.



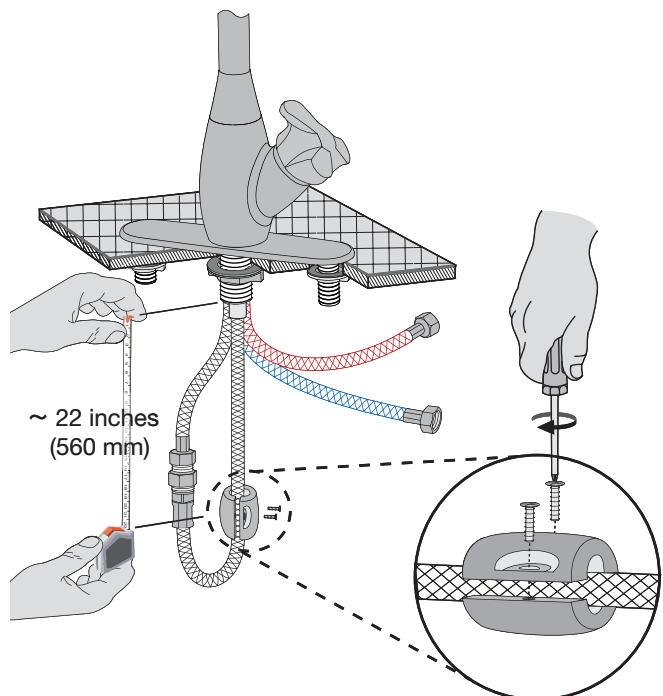
## Step 2 Attach faucet assembly to deck



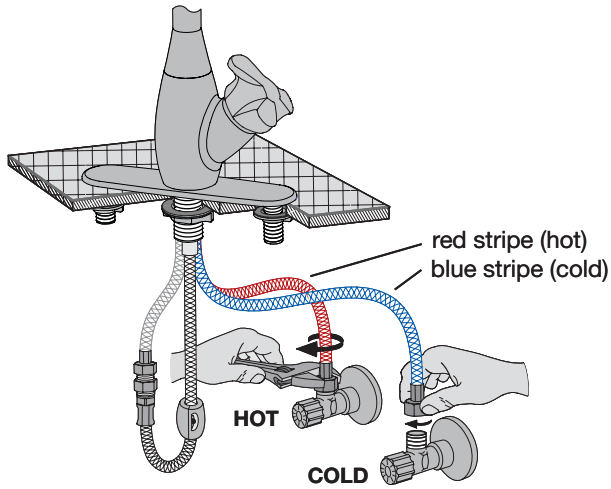
## Step 3 Connect pull-out spout hose



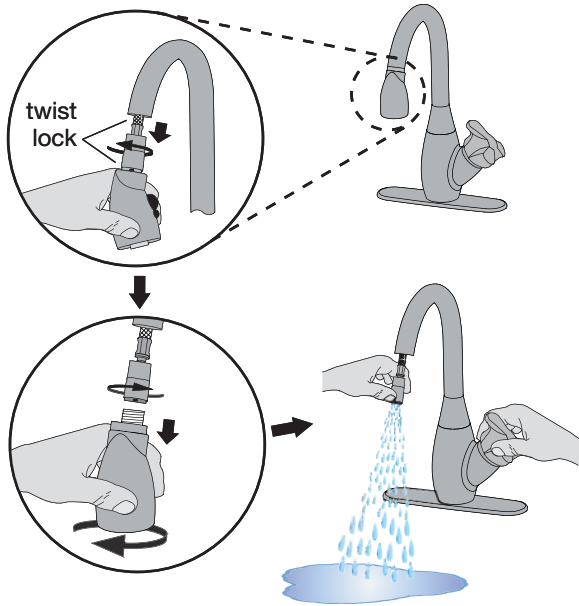
## Step 4 Attach counterweight to hose



## Step 5 Connect water supply lines



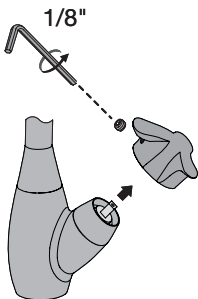
## Step 6 Flush supply lines and check for leaks



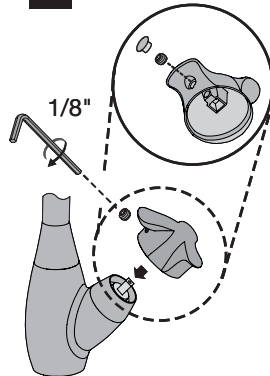
## Step 7 Replace handle with colored style

<Optional> Replace with colored style handle.

**1** Remove



**2** Install

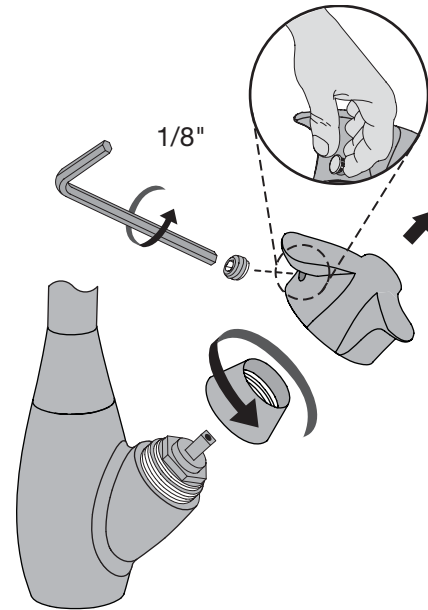


## Care of faucet finish

Clean finish area by using mild soap and water or non-abrasive cleaner and then rinse immediately. A non-abrasive wax may be used to preserve finish area.

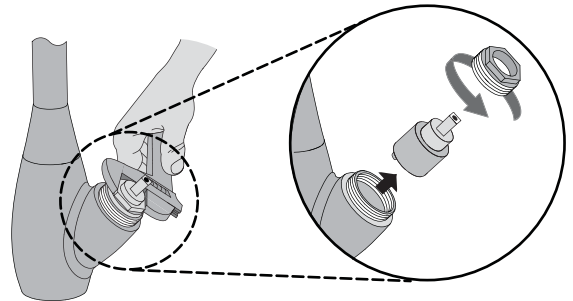
## Valve cartridge replacement

### Removing handle & collar



### Replacing cartridge

**1**



**2**

