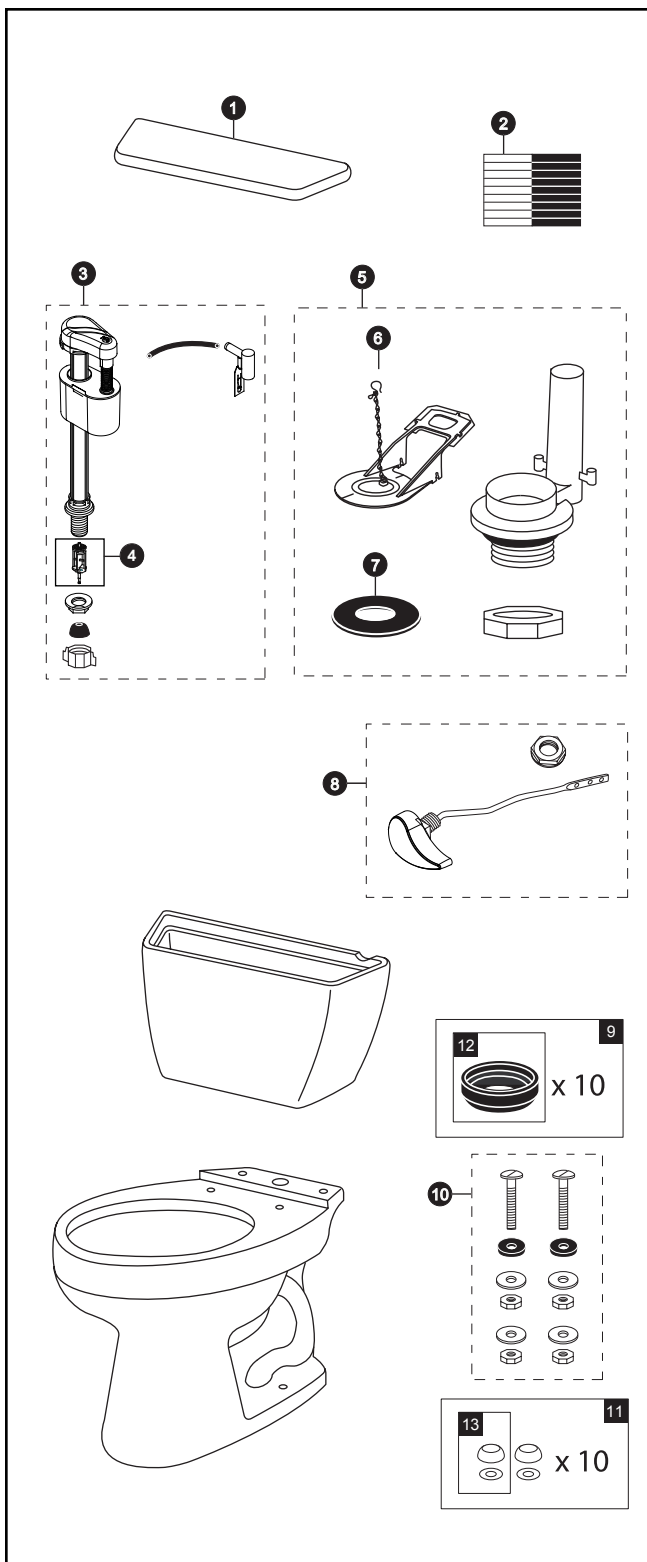


CST744SLD

CST744SLD
ST743SD
C744SL

Drake® 1.6 Gpf Toilet, Elongated, G-Max®, ADA, 12" Rough-In, Insulated Tank



Actual product may differ slightly from illustration.

Item	Part	Description
1	TCU743CR#01 TCU743CR#03 TCU743CR#04 TCU743CR#11 TCU743CR#12 TCU743CR#51	Tank Lid w/ Velcro Tape Tank Lid w/ Velcro Tape Tank Lid w/ Velcro Tape Tank Lid w/ Velcro Tape Tank Lid w/ Velcro Tape Tank Lid w/ Velcro Tape
2	THU107	Velcro Tape
3	TSU24A	Fill Valve
4	THU229	Fill Valve Filter
5	THU130	Flush Valve
6	THU092-7	Flapper w/ Chain - Insulated Tank
7	THU096	Flapper Gaskets (for 10 toilets) (10 Pieces)
8	THU068#03 THU068#01 THU068#04 THU068#11 THU068#12 THU068#51 THU068#BN THU068#CP THU068#PN	Trip Lever Trip Lever Trip Lever Trip Lever Trip Lever Trip Lever Trip Lever Trip Lever Trip Lever
9	THU131	Tank to Bowl Gaskets (for 10 toilets)
10	TSU01D	Tank Mounting Kit
11	THU098#01 THU098#03 THU098#04 THU098#51	Bolt Cap Sets (for 10 toilets) for #01 & #11 Bolt Cap Sets (for 10 toilets) for #03 & #12 Bolt Cap Sets (for 10 toilets) Bolt Cap Sets (for 10 toilets)
12	9BU024E	3" Tank to Bowl Gasket
13	THU044#01 THU044#03 THU044#04 THU044#51	Bolt Cap Sets (for 10 toilets) for #01 & #11 Bolt Cap Sets (for 10 toilets) for #03 & #12 Bolt Cap Sets (for 10 toilets) Bolt Cap Sets (for 10 toilets)

Product Number Explanations

Two-Piece Toilet
(CST) Gravity Type Toilet
(744) Model
(S) G-Max®
(L) ADA Compliant
(D) Insulated Tank

Tank
(ST) Tank
(743) Model
(S) G-Max®
(D) Insulated Tank

Bowl
(C) Bowl
(744) Model
(S) G-Max®
(L) ADA Compliant

Colors
(#01) Cotton
(#03) Bone
(#04) Gray
(#11) Colonial White
(#12) Sedona Beige
(#51) Ebony

Finishes
(#BN) Brushed Nickel
(#CP) Chrome Plated
(#PN) Polished Nickel