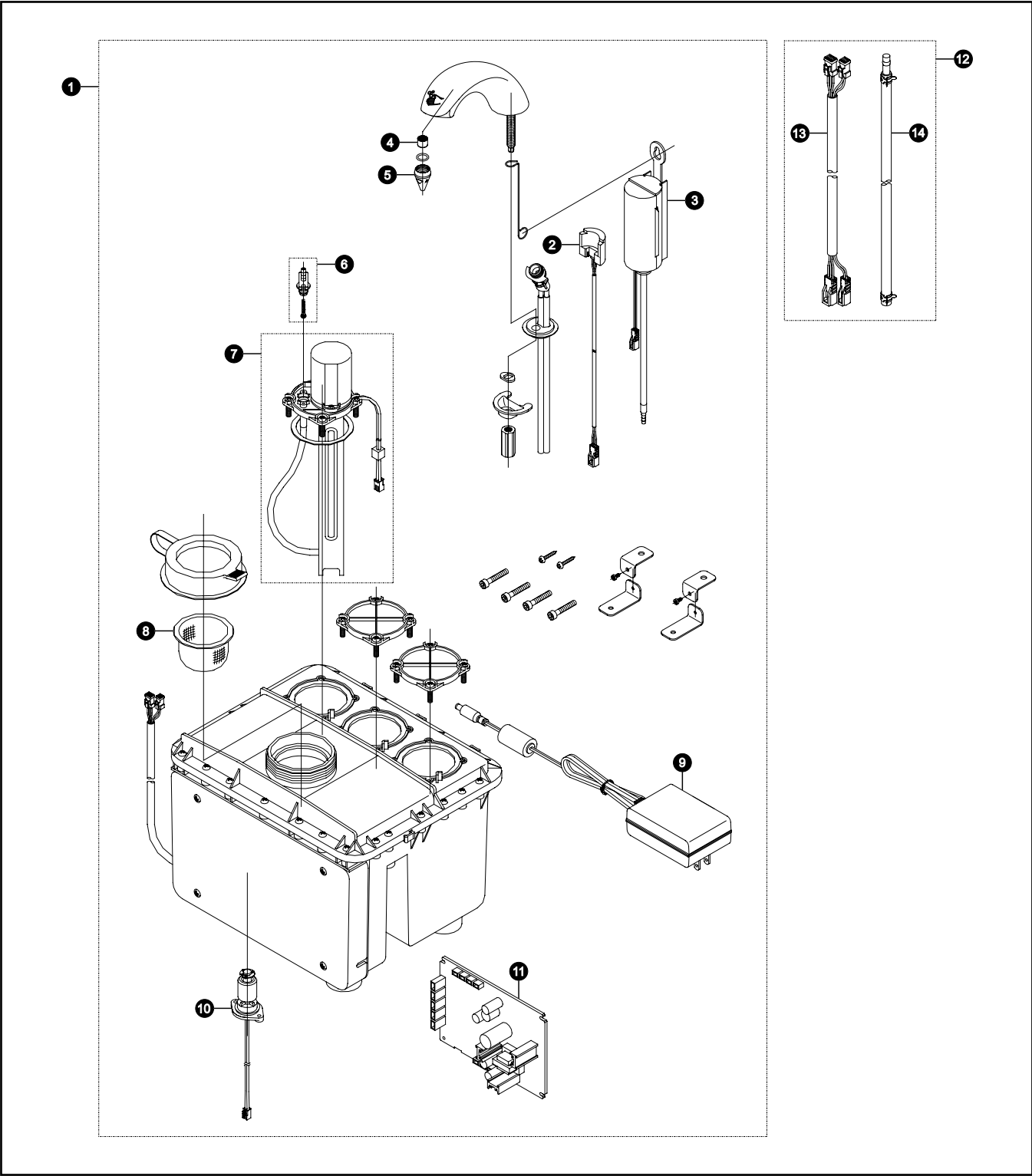


TES1ADC-05

TES1ADC-05
TES121MV100
TN80-1V00

TOTO® Soap Dispenser Single Spout, Single Hole Mount 5 Meter Connection Cable



TES1ADC-05

TES1ADC-05
 TES121MV100
 TN80-1V100

TOTO® Soap Dispenser Single Spout, Single Hole Mount 5 Meter Connection Cable

Item	Part	Description	Price	Item	Part	Description
1	TES121MV100	Eco Soap Dispenser w/one Spout	\$1,500.00			
2	58118R	Sensor	\$71.69			
3	54093	Air Pump	\$147.66			
4	95843	Inside Tube	\$13.91			
5	231511T1	Nozzle	\$36.38			
6	190522R	Check Valve	\$39.59			
7	54090RT1	Soap Pump	\$90.95			
8	66506	Strainer - Base Unit	\$90.95			
9	55067ST1	AC Adapter	\$238.61			
10	54091	Level Sensor	\$97.37			
11	55092T1	Controller	\$174.41			
12	TN80-1V100	Tube Cord Unit - 5m	\$178.00			
13	56102RT2	Sensor & Air Pump Cords (5m = 16.4ft)	\$121.98			
14	92461T1	Liquid Soap Tube (5m = 16.4ft)	\$97.37			

Note:

Replacement EcoSoap 1 gallon container @ 4 qty use TSFB1 (\$128.00).
 Replacement EcoSoap 5 gallon container @ 1 qty use TSFB5 (\$144.00).

Product Number Explanations

Soap Dispenser
 (T) Fitting
 (E) Electronic
 (S) Soap Dispenser
 (1) One Spout
 (A) AC Transformer
 (D) Dispenser
 (C) Chrome Finish
 (05) 5M Cable