

## EcoPower® Toilet Flushometer Valve, 1.6 gpf

### FEATURES

- Hydropower self-generating system
- Electronic flushometer valve complete with 1" angle stop and 1-1/2" vacuum breaker set
- 1.6 gpf or less
- Back spud floor, top spud and back spud wall models - concealed 4" x 4" Cover plate
- 24 hour automatic flush for trap seal protection

### MODELS

- TET3GN#SS  
Valve only, Surface mount, Satin finish
- TET3GN31#SS (1-1/2" Vacuum breaker)  
Back spud wall, Satin finish  
Complete set supplied with:  
Vacuum breaker & angle stop set - VB13RB-31 (Back spud wall)
  - 1" Angle stop - 10077t5
  - 1-1/2" Vacuum breaker - 10075t4
  - Outlet tube - TH559EDV176
  - Sweat solder kit - SJ3
- TET3GN32#SS (1-1/2" Vacuum breaker)  
Top spud, Satin finish  
Complete set supplied with:  
Vacuum breaker & angle stop set - VB9RB-32 (Top spud)
  - 1" Angle stop - 10077t5
  - 1-1/2" Vacuum breaker - 10075t3
  - Outlet tube - TH559EDV177
  - Sweat solder kit - SJ3
- TET3GN33#SS (1-1/2" Vacuum breaker)  
Back spud floor, Satin finish  
Complete set supplied with:  
Vacuum breaker & angle stop set - VB13RB-33 (Back spud floor)
  - 1" Angle stop - 10077t5
  - 1-1/2" Vacuum breaker - 10075t4
  - Outlet tube - TH559EDV175
  - Sweat solder kit - SJ3
- Optional Part:  
Z-4000-J - Adapter for ground joint angle stops

### COLORS/FINISHES

- #SS Stainless Steel Satin finish

### CODES/STANDARDS

- Meets or exceeds ASSE 1037, CSA B125.3
- Certifications: IAPMO(cUPC), ASSE, State of Massachusetts, City of Los Angeles, and others
- Code Compliance: UPC, IPC, NSPC, NPC Canada, and others
- ADA compliant



Piston Valve

### PRODUCT SPECIFICATION

TOTO® Model No. \_\_\_\_\_  
Automatic Infrared sensor activated, toilet valve. Heavy-duty 4" x 4" stainless steel coverplate with satin finish. Low water consumption of 1.6 gallons per flush. Piston valve with stainless steel self-cleaning debris screen and self-cleaning solenoid. Automatic flush every twenty four hours if not used. Electrical sensor separated from valve and sealed in a waterproof compartment. Manual override button incorporated. Through the use of TOTO's EcoPower® Flush Valves, using the valve 12 flushes per day will fully recharge the valve for up to 10 years.

# TET3GN Series

## EcoPower® Toilet Flushometer Valve, 1.6 gpf

### SPECIFICATIONS

- Warranty Three Year Warranty
- Material Bronze casting with stainless steel satin finish
- Power Supply Hydropower self-generating system
- Water Supply 1" NPT
- Detection time Factory setting at six (6) seconds minimum
- Detection range Self-adjusting to environment
- Discharge quantity Preset to 1.6 gpf / 6.0 lpf
- Operating temperature 32°-104°F (0°-40°C)
- Supply water pressure 15 psi - 125 psi\*
- Trap seal protection Automatically flushes once after twenty four (24) hours of non-use

These specifications are subject to change without notice.  
 \*Water pressures over 80 psi are not recommended for most plumbing fixtures.  
 Check your local plumbing code for details.

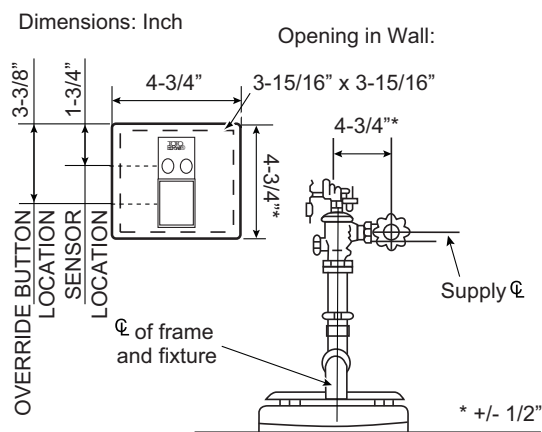
### INSTALLATION NOTES

The recommended installation for the toilet flushometer valve is to have a 7" (178mm) minimum space in wall. Also a minimum 12" x 12" access panel or walk-in chase is required for service and maintenance.

Do not place grab bars in front of sensor for ADA stalls. See diagram below for detailed measurements.

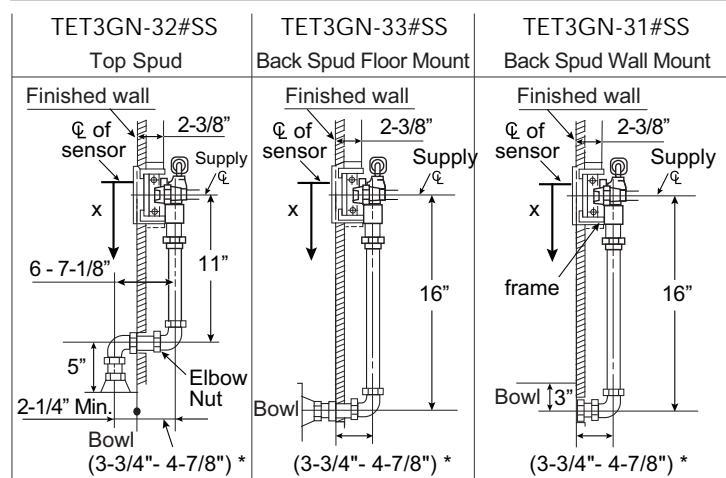
Wall thickness: Min. 5/8" (16mm) - Max. 1-5/8" (41mm).  
 Contact TOTO for different thickness.

### DIAGRAM



Always position the sensor above upright toilet seats and grab bars  
 X= At least 5" clearance from sensor to tip of toilet seat up position or to top of grab bar is required to avoid false detection.

### RECOMMENDED INSTALLATION



Depending on X, the frame may not be centered to Supply  $\varnothing$  as shown.  
 \*Leave some room for elbow nut from the wall for future maintenance.

**TOTO**

These dimensions and specifications are subject to change without notice