

Lloyd® Wood Console Lavatory

FEATURES

- Lavatory with wood console designed to match the Lloyd suite
- Universal height
- Mounting hardware included

COLORS/FINISHES

- #01 Cotton
- #03 Bone
- #11 Colonial White
- #12 Sedona Beige
- #51 Ebony

COMPONENTS

- F930WCP Metal console
- LT930 Lavatory, Single-hole
- LT930.4 Lavatory, 4" centers
- LT930.8 8" Lavatory, 8" centers
- THU205 Overflow cover (#CP, #BN, #PN)



CODES/STANDARDS

- Meets and exceeds ASME A112.19.9M and CSA B45 series
- Certifications: IAPMO(cUPC), State of Massachusetts, City of Los Angeles, and others
- Code compliance: UPC, IPC, NSPC, NPC Canada, and others



PRODUCT SPECIFICATION

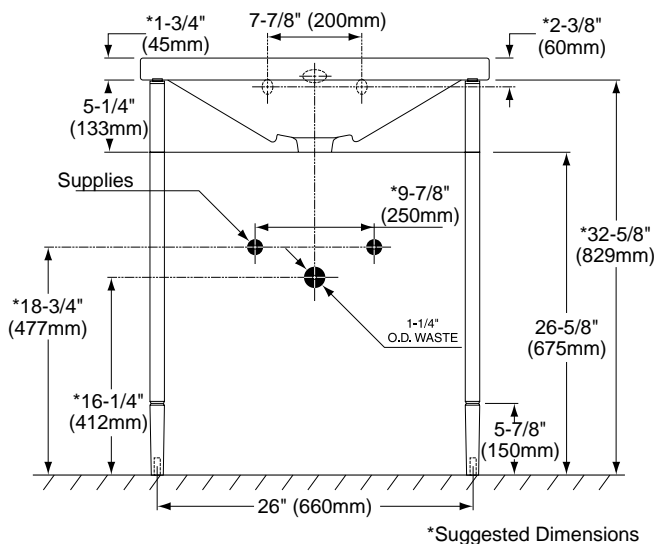
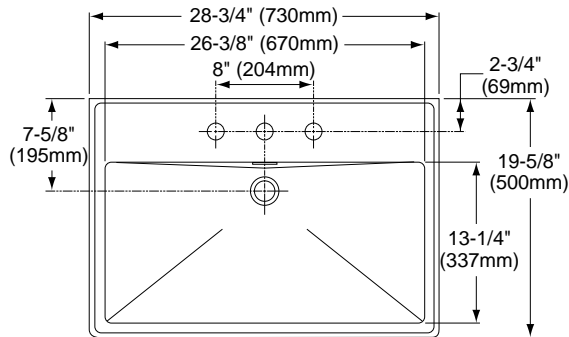
The console lavatory shall be made of fireclay. Lavatory shall be 28-3/4" in length and 19-5/8" in width. Product shall be with overflow and lavatory shall include mounting assembly. Lavatory shall be at universal height. Lavatory shall be TOTO Model LF930WCP _____.

LF930WCP

Lloyd® Wood Console Lavatory

SPECIFICATIONS

- Waste 1-1/4" O.D.
- Console 28-3/8" L x 19-1/2" W
- Lavatory 28-3/4" L x 19-5/8" W
- Basin 26-3/8" L x 13-3/4" W
- Warranty One Year Limited Warranty
- Material Fireclay
- Shipping Weight LT930/LT930.4/LT930.8 53 lbs.
F930WCP 20 lbs.
- Shipping Dimensions LT930/LT930.4/LT930.8 32-1/2" L x 24" W x 12" H
F930WCP 31" L x 21-1/4" W x 2-1/2" H



These dimensions and specifications are subject to change without notice