

## Eco Clayton® Close Coupled Toilet, 1.28GPF

### FEATURES

- E-Max® flushing system, low consumption (1.28GPF/4.8LPF)
- Universal Height
- Traditional close coupled toilet
- Elongated front bowl and tank set, less seat
- Color matched and chrome trip lever
- 12" Rough-in, less supply
- ADA compliant

### MODELS

- CST784EF

### COMPONENTS

- C784EF - Elongated Front Bowl
- ST784E - Tank and Cover only
- SS154 SoftClose® seat (sold separately)
- SS114 SoftClose® seat (sold separately)
- SS304 SoftClose® maple seat (sold separately)

### COLORS/FINISHES

- Standard
  - #01 Cotton
  - #03 Bone
  - #11 Colonial White
  - #12 Sedona Beige
  - #51 Ebony

### PRODUCT SPECIFICATION

The two-piece low consumption E-Max flushing system toilet shall be 1.28GPF/4.8LPF. Toilet shall have high-profile tank, elongated front bowl and chrome trip lever. Toilet shall be TOTO Model CST784EF \_\_\_\_.



### CODES/STANDARDS

- Meets and exceeds ASME A112.19.2/CSA B45.1
- Certifications: IAPMO(cUPC), EPA Watersense, State of Massachusetts, City of Los Angeles, and others
- Code compliance: UPC, IPC, NSPC, NPC Canada, and others
- Legislative Compliance: California AB715, California Green Building Code, City of Los Angeles Water Efficiency Ordinance
- ADA compliant (when installed with trip lever located on the approach side)



# CST784EF

## Eco Clayton® Close Coupled Toilet, 1.28GPF/4.8 GPF

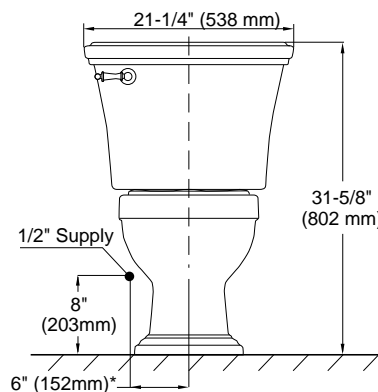
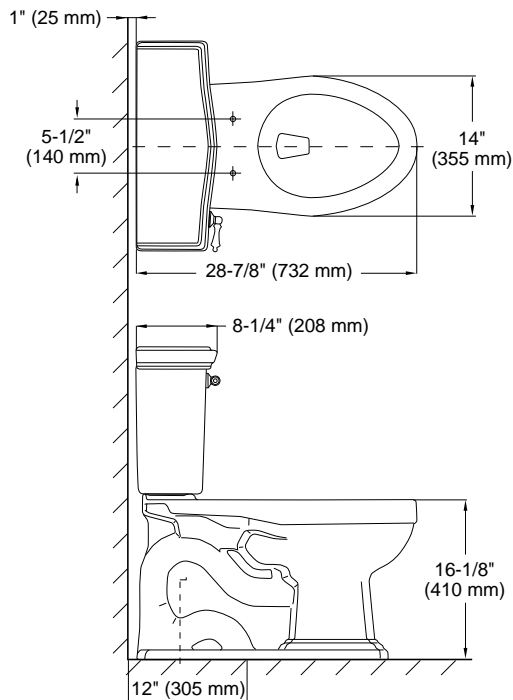
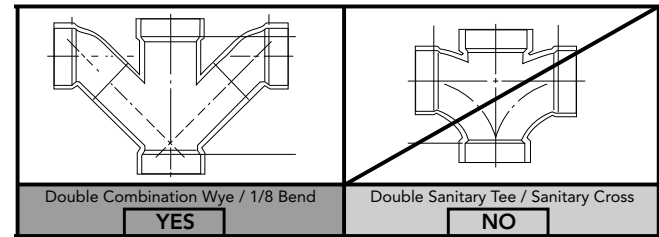
### SPECIFICATIONS

- Water Use 1.28 GPF/4.8LPF
- Flush System E-Max
- Min. Water Pressure 8 psi (static)
- Water Surface 10-5/8" x 8-1/4"
- Trap Diameter 2-1/8"
- Rough-in 12"
- Trap Seal 2-3/8"
- Warranty One Year Limited Warranty
- Material Vitreous china
- Shipping Weight C784EF - 62lbs  
ST784E - 36.5lbs
- Shipping Dimensions C784EF  
30"L x 12-1/4"W1 14-5/8"  
W2 x 18-1/8"H

ST784E  
22-1/8"L x 10"W  
x 17-3/4"H

### INSTALLATION NOTES

Back-to-Back Toilet Installations:  
TOTO recommends the use of a nationally listed, double sanitary tee-wye only, in vertical waste stacks, in accordance with the stipulations noted in the majority of nationally recognized plumbing codes.



**TOTO**

*These dimensions and specifications are subject to change without notice*