



**MODEL INFORMATION**

<b>MODEL NO.</b>	<b>PORT SIZE</b>
AR 151	1/4 NPT(F)
AR 153	1/2 NPT(F)
AR 154	3/4 NPT(F)
AR 350	1/4 NPT(F)

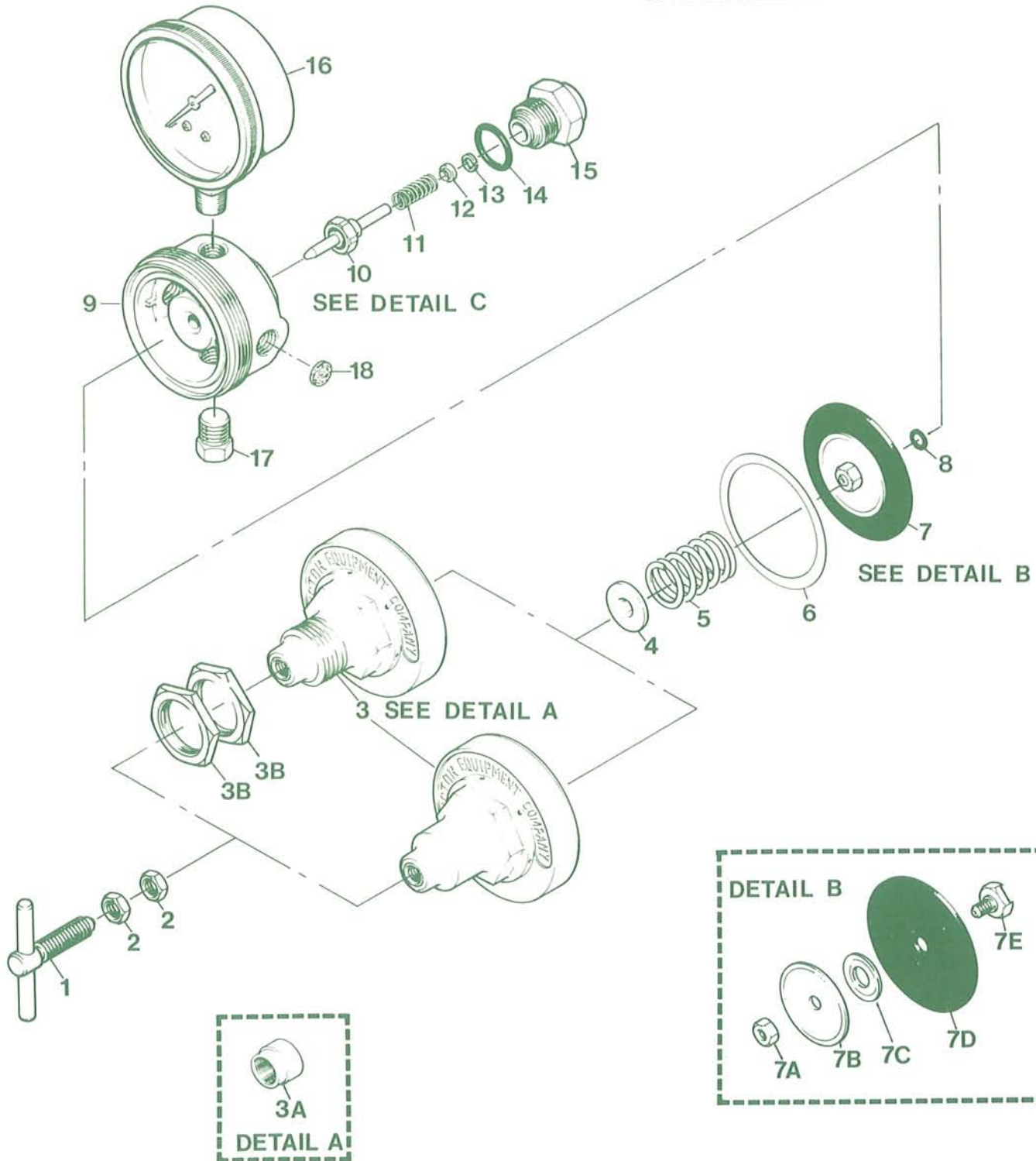
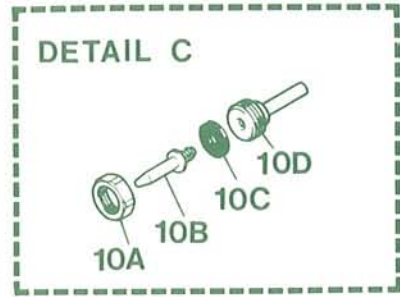
---

**WARNING!**

Apparatus improperly operated, maintained or repaired can be dangerous. Some parts and accessories manufactured by others may fit VICTOR apparatus but not conform to VICTOR's exacting standards. For your own protection, specify and use ONLY VICTOR-made parts and accessories with your VICTOR apparatus.

Service or repair of VICTOR apparatus should be performed only by a qualified technician. Improper service or repair, or modification of the product could result in damage to the product or injury to the operator.

---



**PARTS LIST**

Ref. No.	Description	AR 151	AR 153	AR 154
1	Adjusting Screw	0750-0014	0750-0048	0750-0048
2	Locknut	1409-0003	1409-0035	1409-0035
3	Spring Housing Cap W/Bushing	0720-0018	0720-0073	N/A
	Spring Housing Cap w/Bushing Panel Mount	N/A	0720-0074	0720-0074
+ 3A	Cap Bushing	0722-0014	0722-0021	0722-0021
3B	Panel Mount Nut	N/A	1409-0028	1409-0028
4	Spring Button	0706-0014	0706-0005	0706-0005
5	Adjusting Spring	0761-0064	0761-0006	0761-0006
6	Diaphragm Slip Ring	0705-0003	0705-0006	0705-0006
7	Diaphragm Assembly	0730-0019	0730-0025	0730-0025
7A	Diaphragm Nut	1409-0002	0760-0017	0760-0017
7B	Diaphragm Plate	0735-0004	0735-0005	0735-0005
7C	Lock Washer	1406-0049	NONE	NONE
+ 7D	Diaphragm	0731-0014	0731-0004	0731-0004
7E	Centralizer	0733-0018	0733-0024	0733-0024
8	"O" - Ring	1407-0006	1407-0006	1407-0006
9	Body	0701-0003	0701-0013	0701-0014
+10	Seat Assembly	0740-0049	0740-0053	0740-0053
10A	Seat Retaining Nut	0743-0003	0743-0006	0743-0006
10B	Stem	0744-0025	0744-0026	0744-0026
10C	Seat	0741-0003	0741-0008	0741-0008
10D	Seat Holder	0746-0003	0746-0019	0746-0019
11	Valve Spring	0762-0003	0762-0037	0762-0037
12	Gland	0708-0003	0708-0003	0708-0003
+13	Friction Washer	1408-0033	1408-0033	1408-0033
+14	"O" - Ring	1407-0017	1407-0018	1407-0018
15	Back Plug	0704-0003	0704-0004	0704-0004
+16	Gauge	1424-0039	1424-0039	1424-0039
17	Pipe Plug	1105-0007	1105-0007	1105-0007
18	Screen	N/A	N/A	0717-0004

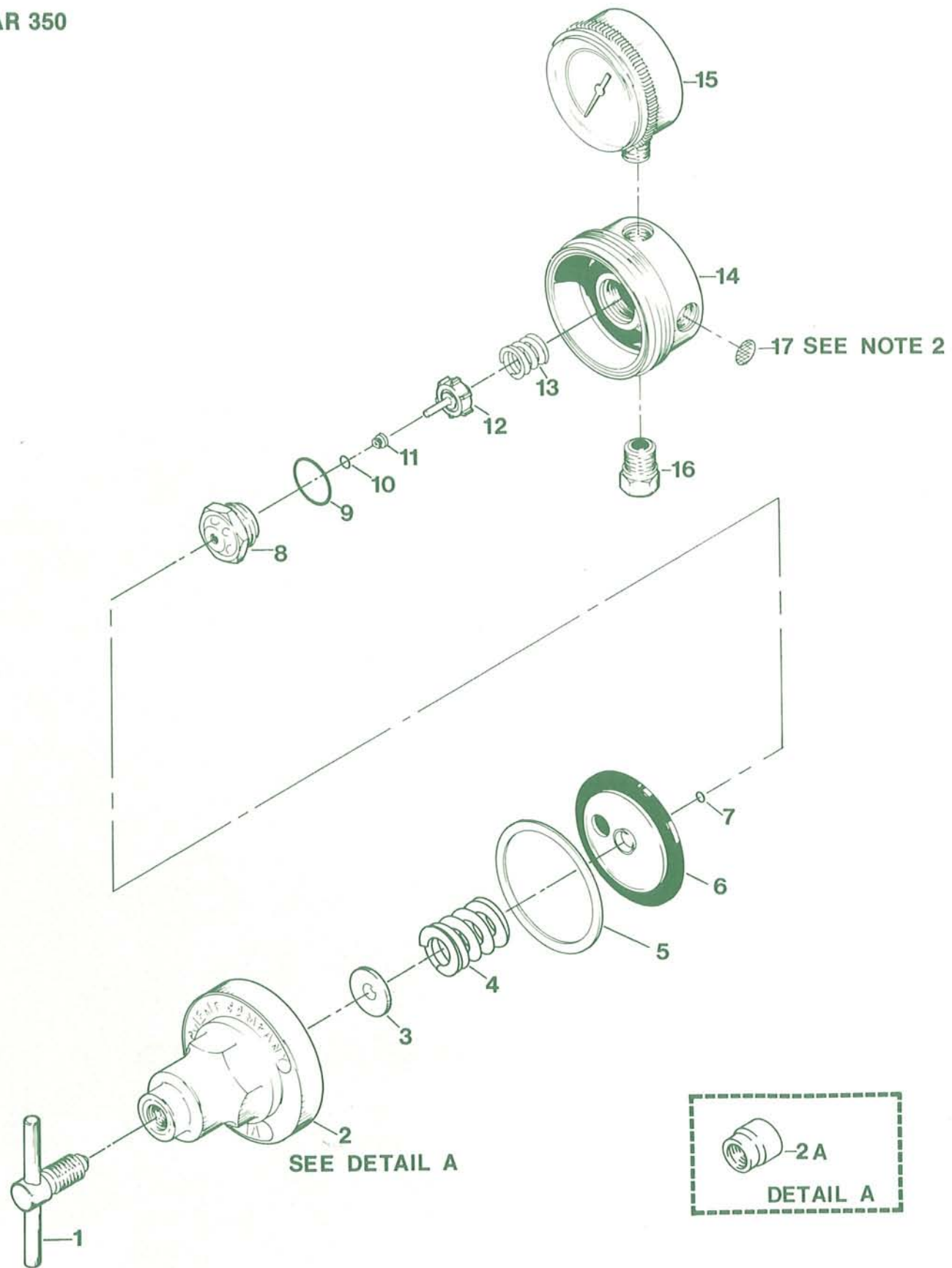
+ ITEMS MOST COMMONLY REQUIRED FOR REGULATOR REPAIR AND RECOMMENDED FOR STOCK.

**PARTS LIST MODEL AR 350**

Ref. No.	Description	AR 350
1	Adjusting Screw	0750-0041
2	Spring Housing Cap W/Bushing	0720-0184
2A	Cap Bushing	0722-0040
3	Spring Button	0706-0001
4	Adjusting Spring	0761-0098
5	Diaphragm Slip Ring	0705-0010
6	Diaphragm Assembly	0730-0057
7	"O"-Ring	1407-0209
8	Nozzle	0702-0018
9	"O"-Ring	1407-0038
10	"O"-Ring	1407-0006
11	Friction Damper	0738-0009
12	Seat Assembly	0740-0093
13	Valve Spring	0762-0021
14	Body	0701-0221
15	Gauge	1424-0039
16	Pipe Plug	1105-0007
17	Screen	0717-0037



AR 350





## SERVICE NOTES

1. Apply Loctite #222 sparingly to second and third male pipe threads immediately prior to installing gauge and pipe plug.
2. Use Fluorolube to lubricate "O"-Rings.
3. (AR 151, 153, 154) Use 50 foot pounds of torque to tighten housing cap and 35 foot pounds of torque to tighten back plug.  
(AR 350) Use 35 foot pounds of torque to tighten housing cap and 16-20 foot pounds of torque to tighten nozzle.
4. Install finer meshed side of screen away from body.
5. All metal parts should be cleaned with Freon TF or an equivalent cleaning solvent. Make certain these cleaning solvents are used in accordance with the manufacturers instruction. Freon TF is a "DuPont" product. DO NOT allow the seat assembly, diaphragm assembly, "O"-Rings, or cap bushings to come in contact with Freon TF because it may cause these materials to swell or stress crack. If these parts require cleaning use a mild soap solution, followed by a thorough rinsing with water.  
If you suspect the seat assembly, diaphragm assembly, or "O"-Rings have come in contact with oil, grease or other petroleum based substance they should be replaced.

**NOTE: FOR REPAIR TOOLS SEE REPAIR TOOLS MANUAL, FORM NO. 56-121.**

WORLD HEADQUARTERS: Suite 300, 16052 Swingley Ridge Road • St. Louis, MO 63017 • 636-728-3000



**VICTOR**® **VICTOR**®  
SPECIALTY PRODUCTS

**CUSTOMER CARE: 800-426-1888 • FAX 800-535-0557**  
**INTERNATIONAL CUSTOMER CARE: 905-827-9777 • FAX 905-827-9797**  
**U.S. AUTOMATION CUSTOMER CARE: 866-279-2628 • FAX 316-941-4491**

International Customer Care  
Oakville, Ontario, Canada  
Ph: (1) 905-827-9777  
Fax: (1) 905-827-9797

Thermadyne Canada  
Oakville, Ontario Canada  
Ph: (1) 905-827-4515  
Fax: (1) 905-827-3648

Thermadyne Chile  
Santiago, Chile  
Ph: (56) 2-557-2465  
Fax: (56) 2-557-5349

Thermadyne Victor Brasil  
Rio de Janeiro, Brazil  
Ph: (55) 21-2-485-8990  
Fax: (55) 21-2-485-8735

Thermadyne Europe  
Chorley, England  
Ph: (44) 1257-261755  
Fax: (44) 1257-224800

Thermadyne China  
Shanghai, China  
Ph: (86) 21-6280-1271 (or 1273)  
Fax: (86) 21-3226-0955

Thermadyne Japan  
Osaka, Japan  
Ph: (81) 6-4809-8411  
Fax: (81) 6-4809-8412

Thermadyne Asia Sdn. Bhd.  
Kuala Lumpur, Malaysia  
Ph: (603) 6092-2988  
Fax: (603) 6092-1085

Thermadyne Asia/Pacific Pte. Ltd.  
Singapore  
Ph: (65) 6832-8066  
Fax: (65) 6763-5812

P.T. Thermadyne Utama Indonesia  
Cikarang, Indonesia  
Ph: (62) 21-8983-0011 (or 0012)  
Fax: (62) 21-893-6067

Cigweld Australia  
Melbourne, Australia  
Ph: (61) 3-9474-7400  
Fax: (61) 3-9474-7510