



ROMAN TUB FAUCET

- **Transitional Collection**
- **3-Hole Installation**
- **Rough-in Kit Included**

STANDARD SPECIFICATIONS

- Washerless cartridge
- Copper tube inlet with 1/2" CC connection
- NEOPERL® stream straightener 2.4gpm min @ 20psi

FINISHES INCLUDE

- Chrome (UF65200)
- Brushed nickel (UF65203)
- Oil rubbed bronze (UF65205)

WARRANTY

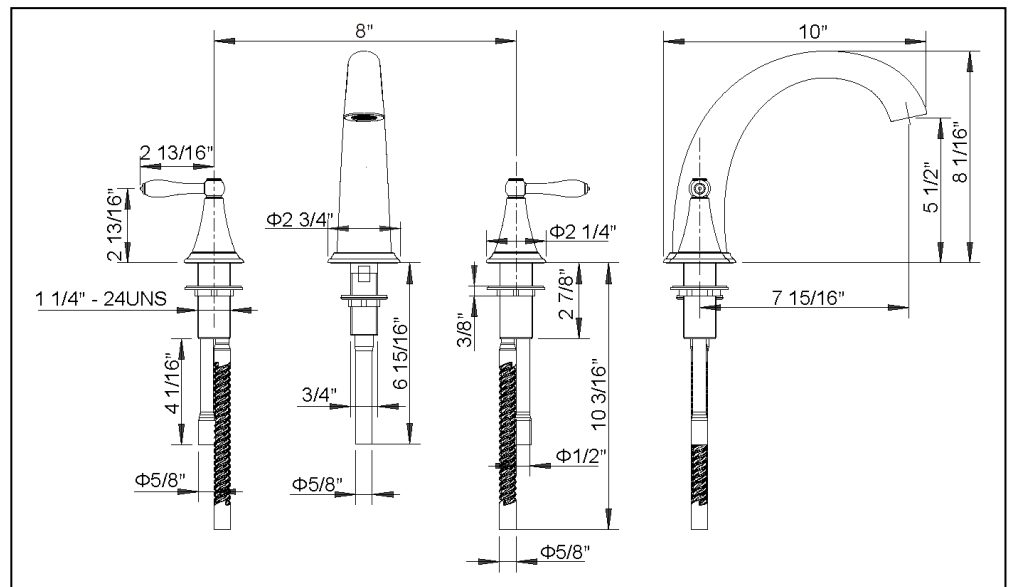
- Limited lifetime warranty on workmanship and materials to the original purchaser

COMPLIES WITH

- NSF 61-9
- ASME A112.18.1
- CSA B125.1
- cUPC



C



tel. 888-OK-ULTRA (658-5872) • fax. 949-225-6099 • <http://www.ultrafaucets.com>

This specification is provided for reference only. Ultra Faucets reserves the right to modify specifications and materials without notice or obligation.