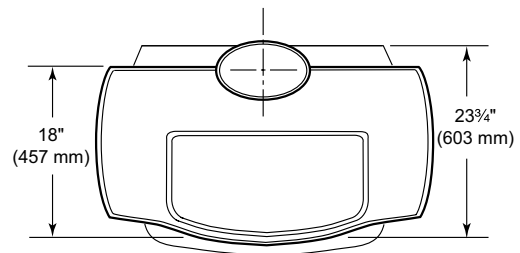
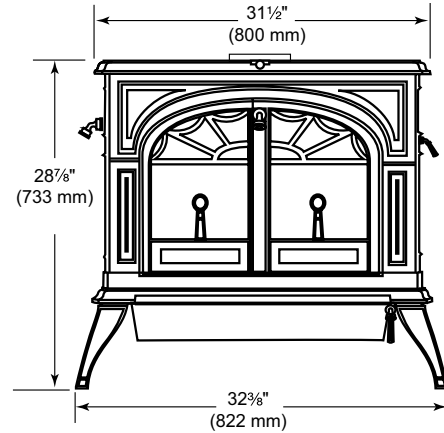


PRODUCT SPECIFICATIONS DEFIANT TWO-IN-ONE WOOD STOVE



ACTUAL DIMENSIONS

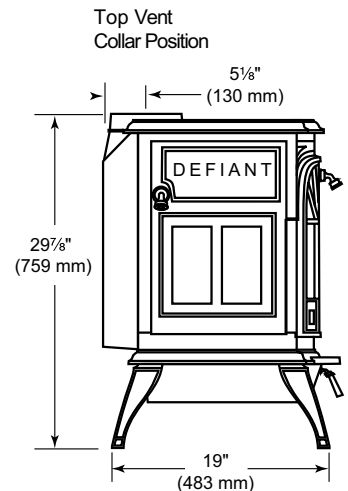
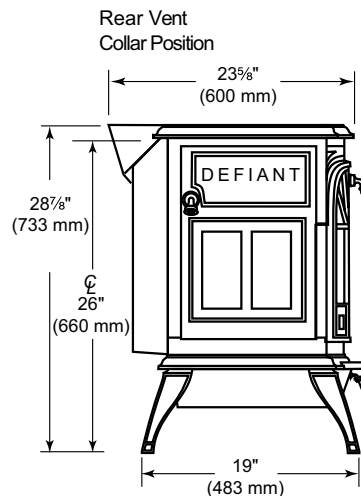
- Unit Depth: 23" (584 mm) (flue collar in top exit position)
- Unit Height: 29 7/8" (759 mm)
- Unit Width: 26" (660 mm)

TECHNICAL INFORMATION

- Log Length: up to 25" (635 mm)
- Burn Time: up to 14 hours
- Heating Capacity: up to 2,400 sq. ft. (223 m²)
- Maximum Heat Output: 75,000 BTUs/hr.
- Efficiency Rating: 84% (Cat); 76% (Non-cat)
- EPA Emissions Rating: 1.1 grams/hr. (Cat); 2.3 grams/hr. (Non-cat)
- Weight: 518 lbs. (235 kg)
- Flue Collar: 8" oval, reversible
- Firebox Volume: 3.2 cubic foot (.09 m³)
- Clearances (with provided heat shields and 8" chimney)
 - Back: 15" (381 mm) (to rear heat shield)
 - Back: 21" (533 mm) (to back of stove)
 - Corner: 5" (127 mm)
 - Side: 21" (533 mm)

FIELD INSTALLED ACCESSORIES

- Spark screen for open door fire viewing
- Available in Classic Black, Biscuit, Majolica Brown, Ebony Black and Bordeaux
- Matching enamel pipe in four standard colors
- Warming shelves with mitten racks
- Outside air termination kit
- Outside air adaptor
- Oval to 6" and 8" round adaptors
- Connector pipe heat shield (6" and 8")
- Variable speed, heat activated fan
- Stove surface thermometer
- Short legs



A Brand of Monessen Hearth Systems Co.
149 Cleveland Drive, Paris, Kentucky 40361
www.vermontcastings.com

SEE BACK FOR MORE INFORMATION

PRODUCT SPECIFICATIONS DEFIANT TWO-IN-ONE WOOD STOVE

(CONTINUED)



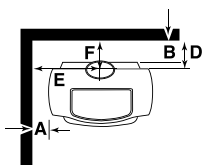
STOVE CLEARANCES

6" OR 8" SINGLE OR DOUBLE WALL PIPE¹

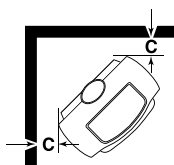
UNPROTECTED SURFACE (NO CONNECTOR HEAT SHIELD)

PROTECTED SURFACE² (WITH CONNECTOR HEAT SHIELD)

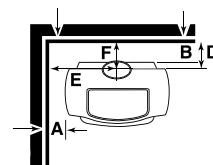
		TOP VENT	REAR VENT	TOP VENT	REAR VENT
Wall to side of stove	A	21" (534 mm)	21" (534 mm)	5" (127 mm)	11" (280 mm)
Wall to back of rear heat shield	B ³	15" (381 mm)	9" (229 mm)	3" (77 mm)	9" (229 mm)
Wall to corner of cast iron top	C	5" (127 mm)	N/A	2" (51 mm)	N/A
Wall to rear edge of cast iron top	D ⁴	21" (534 mm)	16" (407 mm)	9" (229 mm)	16" (407 mm)
Side wall to center of flue collar	E ⁵	36 1/2" (927 mm)	37" (940 mm)	20 1/2" (521 mm)	27" (686 mm)
Rear wall to center of flue collar	F ⁵	21" (533 mm)	N/A	9" (229 mm)	N/A



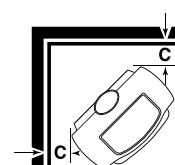
Stove installed parallel to wall



Stove installed corner



Stove installed parallel to wall



Stove installed corner

¹Using listed double wall oval to 6" or 8" round connector; all installations require supplied rear heat shield, flue collar shield, and bottom heat shield.

²Must use connector pipe heat shield and it must extend 36" (914 mm) above flue collar.

³Measure from back of rear heat shield.

⁴Measure from rear edge of cast iron top.

⁵Measure to center of flue collar.



To avoid personal injury or property damage, the product described by this brochure must be installed, operated and maintained in strict compliance with the instructions packaged with the product and all applicable building or fire codes. Contact local building or fire officials about restrictions and installation inspection requirements. All photographs and drawings on this brochure are for illustrative purposes only and are not intended for, nor should they be used as a substitute for the instructions packaged with the unit. Appearance and specifications of the product are subject to change without notice. © 2011 Monessen Hearth Systems Co.