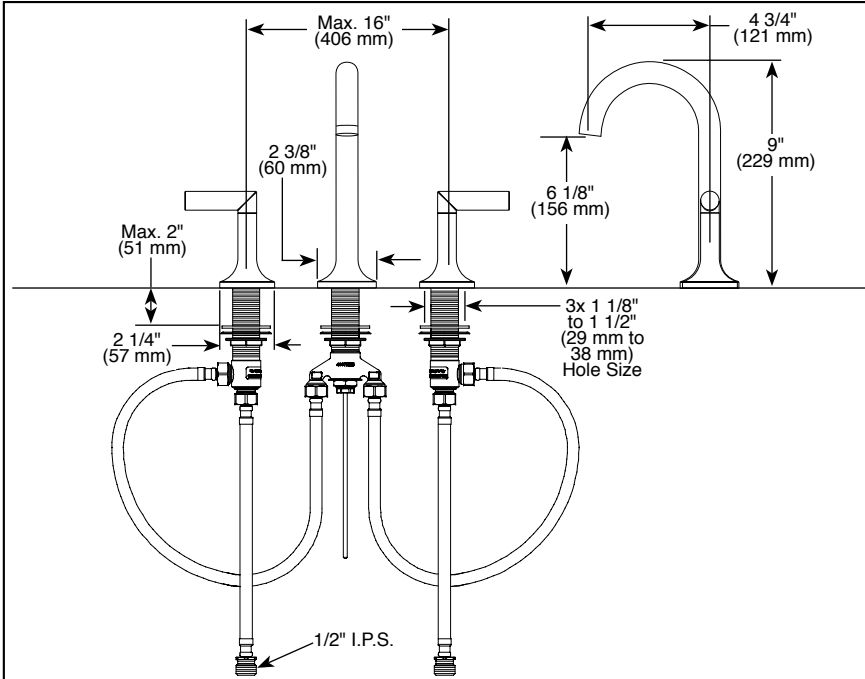


65375LF▲

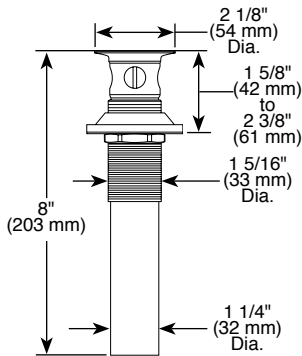


Submitted Model No.:

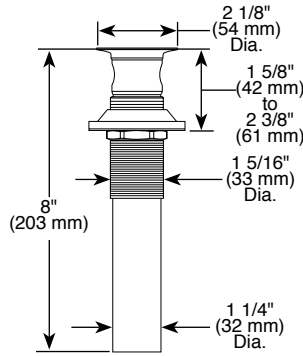
Specific Features:



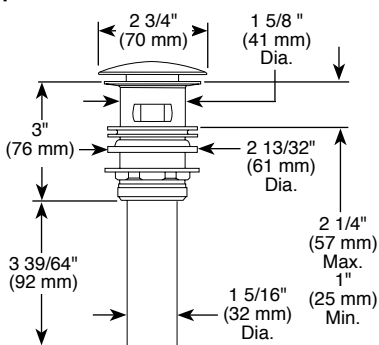
RP60466▲ Grid Strainer w/ Overflow Optional



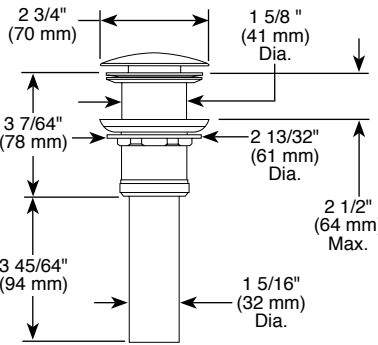
RP60467▲ Grid Strainer w/o Overflow Optional



RP52487▲ Push Pop w/ Overflow Optional



RP52488▲ Push Pop w/o Overflow Optional



▲ Designate Proper Finish Suffix

Delta reserves the right (1) to make changes in specifications and materials, and (2) to change or discontinue models, both without notice or obligation. Dimensions are for reference only. See current full-line price book or www.brizo.com for finish options and product availability.

BSP-L-65375LF Rev. A

BRIZO®

WIDESPREAD LAVATORY FAUCETS

- Odin™ Bath Collection
- Two Handle Deck Mount
- 3 Hole Sink Applications
- 6"-16" Centers

STANDARD SPECIFICATIONS:

- Two handle lavatory faucet for concealed mounting on 3 hole applications.
- Widespread 6" to 16" centers.
- 4 3/4" (121 mm) long, 9" (229 mm) high rigid spout.
- Control mechanism shall be of the rotating ceramic cylinder type with 90° (1/4 turn) rotation.
- Maximum flow rate 1.5 gpm @ 60 PSI.
- Drain sold separately (see options below).

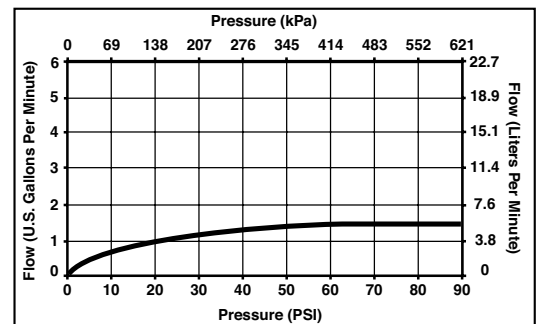
WARRANTY

- Lifetime Faucet and Finish Limited Warranty to the original consumer purchase to be free from defects in material and workmanship.
- 5 Year Limited Warranty for usage in all industrial, commercial and business applications.



COMPLIES WITH:

- ASME A112.18.1 / CSA B125.1
- ASME A112.18.2 / CSA B125.2
- Indicates compliance to ICC/ANSI A117.1
- EPA WaterSense®
- Verified compliant with .25% weighted average Pb content regulations.



Delta Faucet Company

55 E. 111th Street, Indianapolis, Indiana 46280
 350 South Edgeware Road, St. Thomas, ON N5P 4L1
 © 2012 Masco Corporation of Indiana