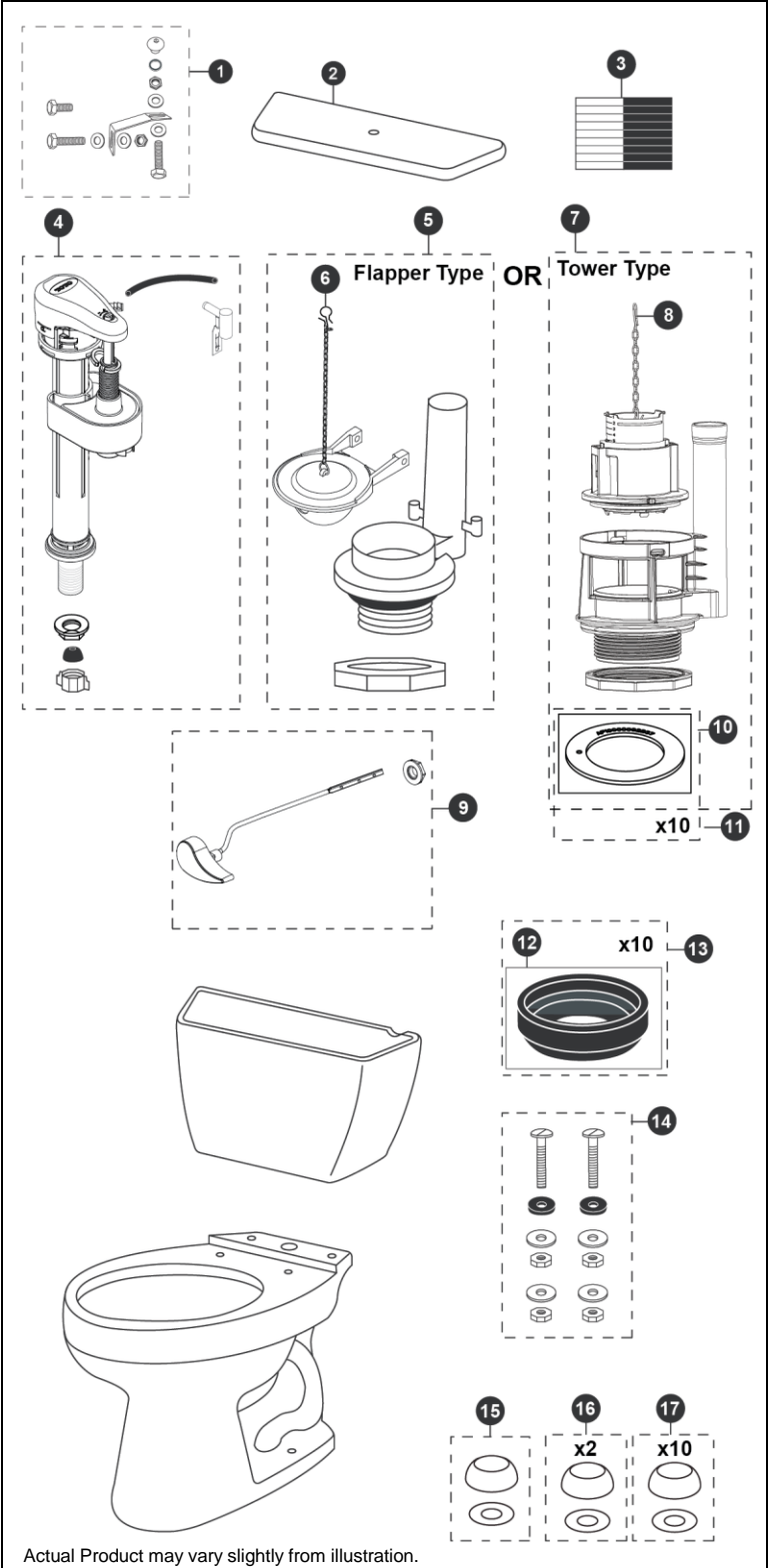


CST744SLB  
C744SL  
ST743SB

**Drake®**  
**1.6 Gpf Toilet, Elongated,**  
**G-Max®, ADA, 12" Rough-In,**  
**Bolt Down Tank Lid**

Item	Part	Description
1	THU089	Bolt Down Set
2	TCU743BCR#01	Bolt Down Tank Lid w/ Velcro - Cotton
	TCU743BCR#03	Bolt Down Tank Lid w/ Velcro - Bone
	TCU743BCR#11	Bolt Down Tank Lid w/ Velcro - Colonial White
	TCU743BCR#12	Bolt Down Tank Lid w/ Velcro - Sedona Beige
	TCU743BCR#51	Bolt Down Tank Lid w/ Velcro - Ebony
3	THU107	Velcro Tape
4	TSU53A	Fill Valve
5	THU129P-A	Flush Valve
6	THU331S	Flapper w/ Chain
7	THU443.10B-A	Drain Valve for Tower Type
8	THU440-A	Flush Tower
9	THU068#01	Trip Lever - Cotton
	THU068#03	Trip Lever - Bone
	THU068#11	Trip Lever - Colonial White
	THU068#12	Trip Lever - Sedona Beige
	THU068#51	Trip Lever - Ebony
	THU068#CP	Trip Lever - Chrome Plated
	THU068#BN	Trip Lever - Brushed Nickel
	THU068#PN	Trip Lever - Polished Nickel
10	THU407	Seal Gasket (1 piece)
11	THU360	Seal Gasket (10 pieces)
12	9BU024E	3" Tank to Bowl Gasket
13	THU131	Tank to Bowl Gaskets (10 pieces)
14	TSU01D	Tank Mounting Kit
15	THU044#01	Bolt Cap Set - Cotton (1 set)
	THU044#03	Bolt Cap Set - Bone (1 set)
	THU044#11	Bolt Cap Set - Colonial White (1 set)
	THU044#12	Bolt Cap Set - Sedona Beige
	THU044#51	Bolt Cap Set - Ebony
16	THU044S#01	Bolt Cap Sets - Cotton (2 pieces)
	THU044S#03	Bolt Cap Sets - Bone (2 pieces)
	THU044S#11	Bolt Cap Sets - Colonial White (2 pieces)
	THU044S#12	Bolt Cap Sets - Sedona Beige (2 pieces)
	THU044S#51	Bolt Cap Sets - Ebony (2 pieces)
17	THU098#01	Bolt Cap Sets - Cotton (20 pieces)
	THU098#03	Bolt Cap Sets - Bone (20 pieces)
	THU098#11	Bolt Cap Sets - Colonial White (20 pieces)
	THU098#12	Bolt Cap Sets - Sedona Beige (20 pieces)
	THU098#51	Bolt Cap Sets - Ebony (20 pieces)

**Note:**



**Product Number Explanations**

Two-Piece Toilet	Tank	Bowl
(CST) Gravity Type Toilet	(ST) Tank	(C) Bowl
(744) Model	(743) Model	(744) Model
(S) G-Max®	(S) G-Max®	(S) G-Max®
(B) Bolt Down Tank Lid	(B) Bolt Down Tank Lid	(L) ADA Compliant