



a Geberit company

2100 South Clearwater Drive
Des Plaines, IL 60018
Phone: 847-803-5000
Fax: 847-803-5454
www.chicagofaucets.com

FOR TECHNICAL ASSISTANCE
1-800-TEC-TRUE (1-800-832-8783)

REPAIR PARTS

BY: JAR DATE: 11-25-14
CHK: *JAR* REV: 05-06-15

FITTING NO.

EQ-B1_SERIES

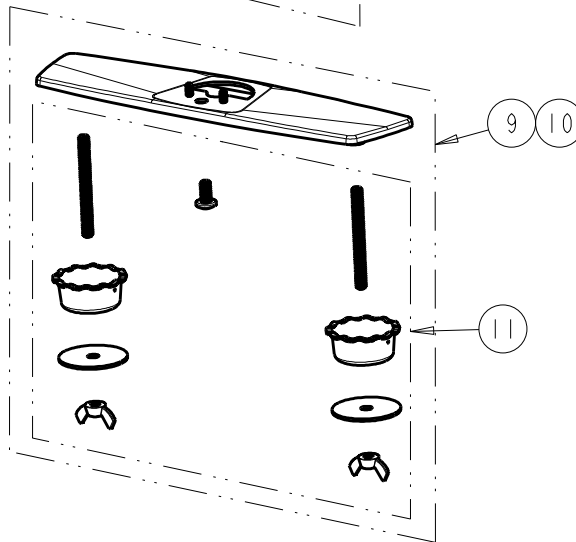
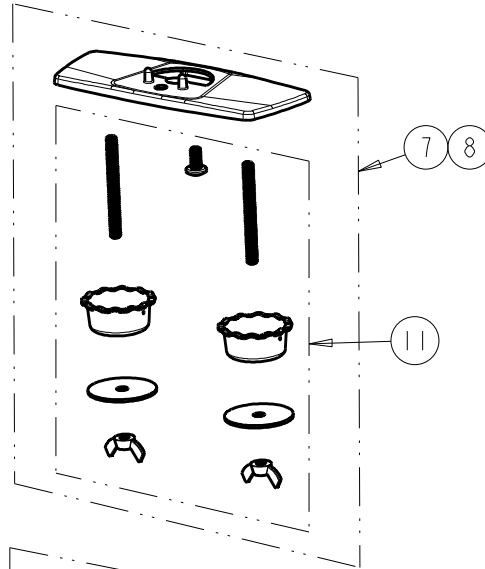
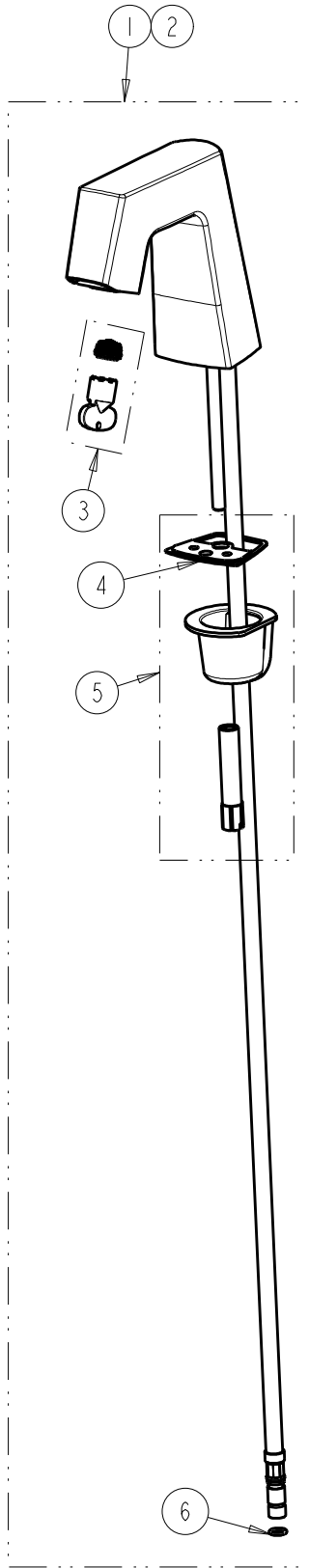
SUBMITTED MODEL NO.

ITEM NO.

FINISH OPTIONS

CP=CHROME PLATE

BN=BRUSHED NICKEL



NOTE:
ITEM 4 INCLUDES DECK GASKET FOR EACH SPOUT DESIGN
AND HOSE O-RINGS.

| ITEM | PART NO. | DESCRIPTION |
|------|-----------------|---------------------------------------|
| 1 | EQ-B11A-KJKABCP | KIT, EQ SQUARE SPOUT w/ 0.5 GPM |
| 2 | EQ-B11A-KJKABBN | KIT, EQ SQUARE SPOUT w/ 0.5 GPM |
| 3 | 243.145.AB.1 | KIT, OUTLET FOR EQ 0.5 GPM |
| 4 | 243.150.AB.1 | KIT, SPOUT SEAL EQ SERIES |
| 5 | 243.148.00.1 | KIT, HARDWARE FOR EQ SQUARE SPOUT |
| 6 | ----- | O-RING #011, DRINKING WATER COMPLIANT |
| 7 | EQ-B12-KJKCP | KIT, 4" COVER PLATE - EQ SQUARE |
| 8 | EQ-B12-KJKBN | KIT, 4" COVER PLATE - EQ SQUARE |
| 9 | EQ-B13-KJKCP | KIT, 8" COVER PLATE - EQ SQUARE |
| 10 | EQ-B13-KJKBN | KIT, 8" COVER PLATE - EQ SQUARE |
| 11 | 243.181.00.1 | KIT, HARDWARE FOR EQ COVER PLATES |



a Geberit company

2100 South Clearwater Drive
Des Plaines, IL 60018
Phone: 847-803-5000
Fax: 847-803-5454
www.chicagofaucets.com

REPAIR PARTS

BY: JAR DATE: 12-17-14

CHK: *JR* REV: 06-17-15

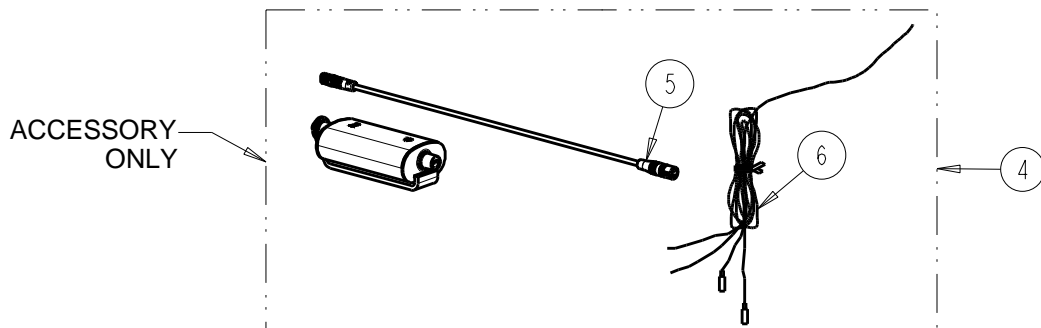
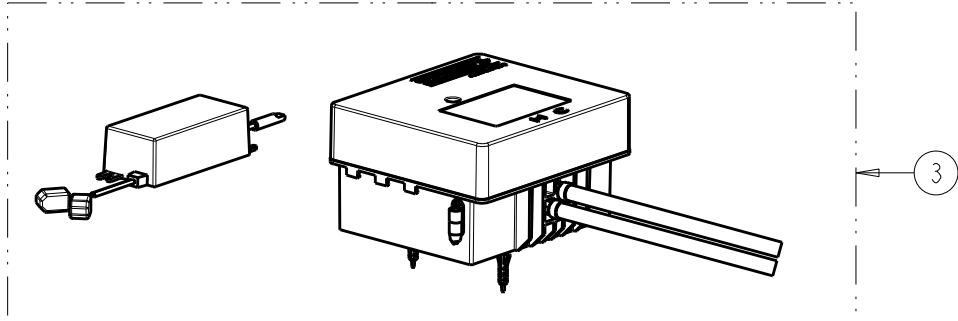
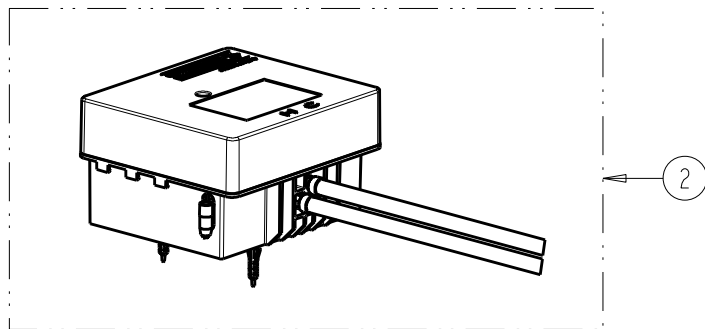
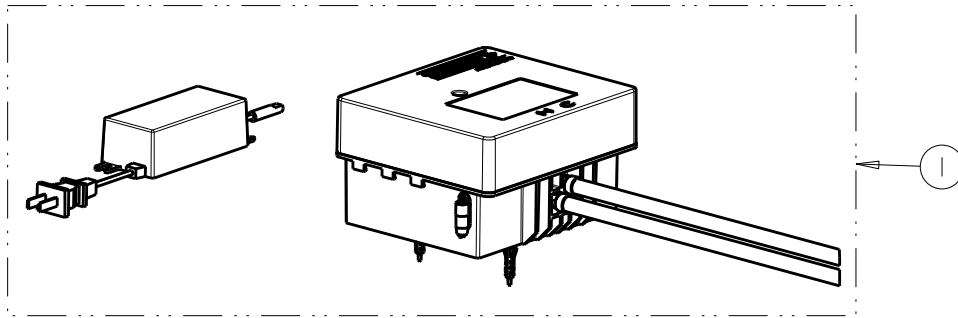
FITTING NO.

AC-1070-MIXER-JK

SUBMITTED MODEL NO.

ITEM NO.

FOR TECHNICAL ASSISTANCE
1-800-TEC-TRUE (1-800-832-8783)



| ITEM | PART NO. | DESCRIPTION |
|------|--------------|---------------------------------------|
| 1 | EQ-33KJKABNF | CONTROL BOX ASSY EQ IR BATT ACPI 1070 |
| 2 | EQ-43KJKABNF | CONTROL BOX ASSY EQ IR BATT ACLP 1070 |
| 3 | EQ-53KJKABNF | CONTROL BOX ASSY EQ IR BATT ACHW 1070 |
| 4 | EQ-012JKNF | BROWN OUT AND CABLES FOR EQ |
| 5 | EQ-011JKNF | CABLE WITH CONNECTORS FOR EQ |
| 6 | EQ-010JKNF | CABLE WITH CONNECTORS 2M LONG FOR EQ |

CHICAGO FAUCETS 

a Geberit company

2100 South Clearwater Drive
Des Plaines, IL 60018
Phone: 847-803-5000
Fax: 847-803-5454
www.chicagofaucets.com

REPAIR PARTS

BY: JAR DATE: 12-17-14

CHK: REV: 06-17-15

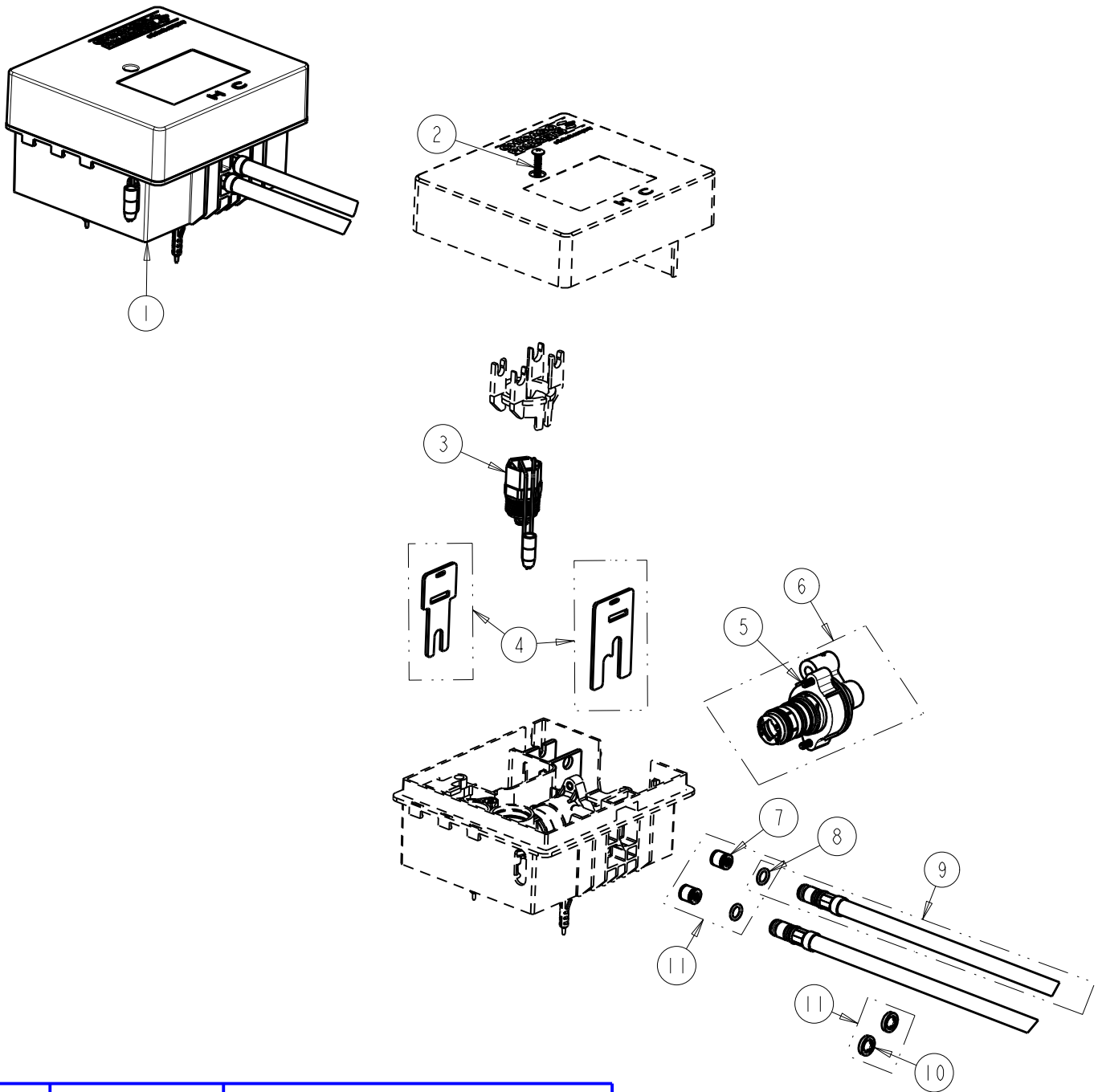
FITTING NO.

AC-1070-MIXER-JK

SUBMITTED MODEL NO.

ITEM NO.

FOR TECHNICAL ASSISTANCE
1-800-TEC-TRUE (1-800-832-8783)



| ITEM | PART NO. | DESCRIPTION |
|------|----------------|---------------------------------------|
| 1 | EQ-43KJKABNF | CONTROL BOX ASSY EQ IR BATT ACLP 1070 |
| 2 | ----- | SCREW, #8 X 1-1/4" LONG PLASTITE TYPE |
| 3 | 243.152.AB.1 | SOLENOID VALVE, DN5 |
| 4 | 243.158.00.1 | CONTROL BOX HARDWARE KIT FOR EQ |
| 5 | ----- | BONNET HEX SCREW, M4x0.7x16mm |
| 6 | 243.156.AB.1 | REBUILD KIT FOR EQ DS 1070 |
| 7 | 550-009KJKABNF | CHECK-CARTRIDGE |
| 8 | ----- | O-RING #011, DRINKING WATER COMPLIANT |
| 9 | 243.157.AB.1 | INLET SUPPLY HOSE FOR EQ |
| 10 | 3300-005JKABNF | FILTER/SCREEN |
| 11 | 243.159.AB.1 | KIT, SEALS AND CHECKS FOR EQ |