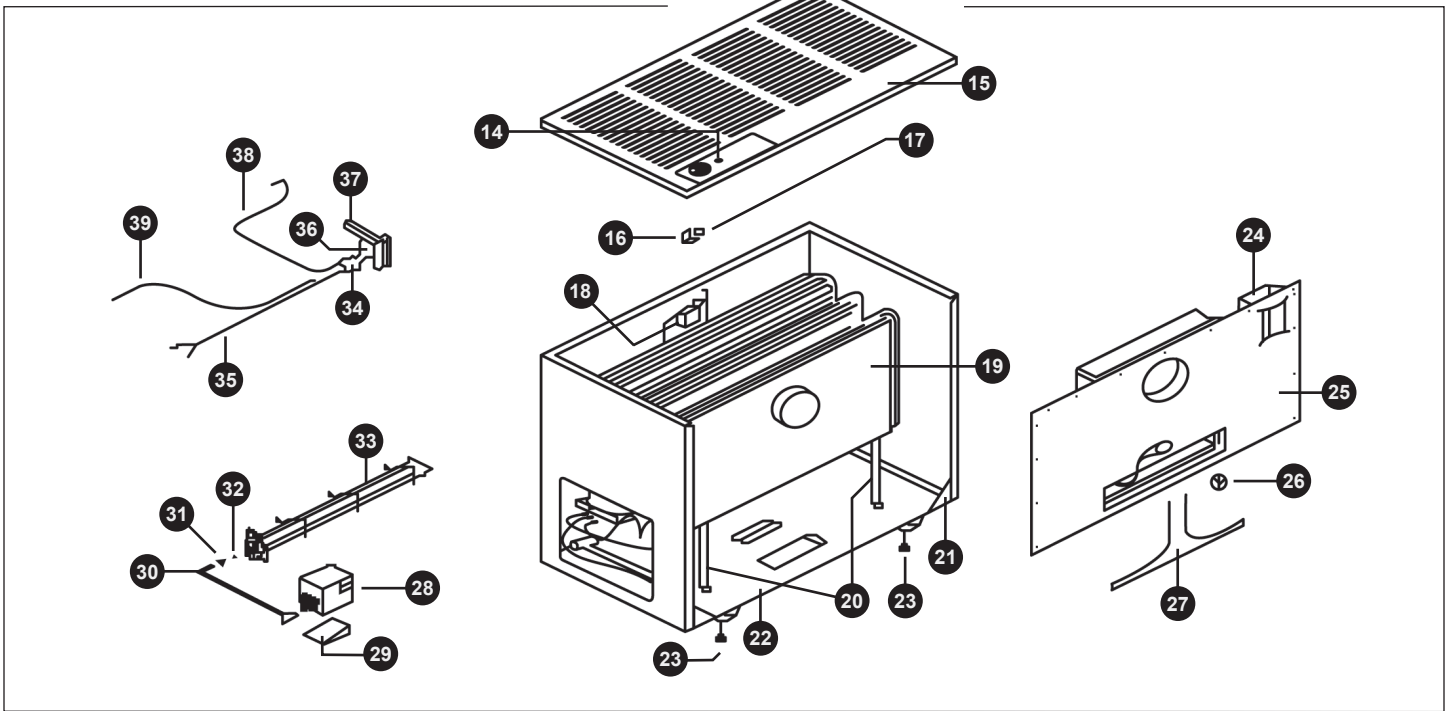


Fig. M-2



FOR NAT. MODELS:

REF. #	PART DESCRIPTION	VC201C PART NO.	VC351C PART NO.	VC501C PART NO.
14	PIEZO IGNITOR	80016	80016	80016
15	CASING, Top Assembly	45052-10	45552-10	46402-10
16	GROMMET, Control Rod	80010	80010	80010
17	REMOTE MOUNTING BRACKET	45062	45062	45062
18	BULB CONTROL SWITCH (Cotherm)	80180	80180	80180
19	HEAT EXCHANGER, Closed Front	45200	45675	46500
20	REAR LEG, Heat Exchanger	N/A	45760	45760
21	GUSSET	*45195	*45195	*45195
22	CASING BASE, Assembly	45175	45640	46460
23	LEG LEVELLERS, 4 per heater	80009	80009	80009
24	DRAFT DIVERTER, Assembly	45300	45783	46558
25	CASING, Back Assembly	45150	45612	45612
26	SWITCH, Vent Safety Spill / VC	80102	80106	84166
27	WIRING HARNESS	80212	80213	80213
28	VALVE, 6003 Natural Gas Valve, Dexen	84085	84085	84085
29	VALVE, Support Bracket	45336	45336	45336
30	MANIFOLD	80133	80133	80135
31	ORIFICE NUT	80024	80024	80024
32	BURNER ORIFICE, Natural Gas	80025	80058	80119
33	BURNER, Steel	80123	80124	80125
34	PILOT ASSY. 0.140.514 Nat. w/ Electrode	80062	80062	80062
35	PILOT GENERATOR 23"	70098	70098	70098
36	LIGHTING HOLE COVER, Pilot	45332	45332	45332
37	BURNER MOUNTING PLATE, Assembly	45817	45817	45817
38	PILOT TUBING Assy. w/Fittings 24"	70012	70012	70012
39	PIEZO WIRE	80128	80128	80128

ADDITIONAL PARTS:

PART DESCRIPTION	PART NO.
COZY LOGO Emblem	80006
CLIPS, for Cozy Emblem	80007
LIGHTING INSTRUCTIONS	47740
HEAT EXCHANGER SPACER:	
VC201C, Spacer	N/A
VC351C, Spacer	45845
VC501C, Spacer	45845

*Two (2) are Required

Specifications subject to change without notice.

FOR MODELS THAT HAVE BEEN CONVERTED TO LP:

	VC202C	VC352C	VC502C
28	VALVE, 6003 L.P. Gas Valve, Dexen	84086	84086
34	PILOT ASSY. 0.140.504 L.P. w/ Electrode	80063	80063
32	BURNER ORIFICE, L.P. Gas	80027	80120