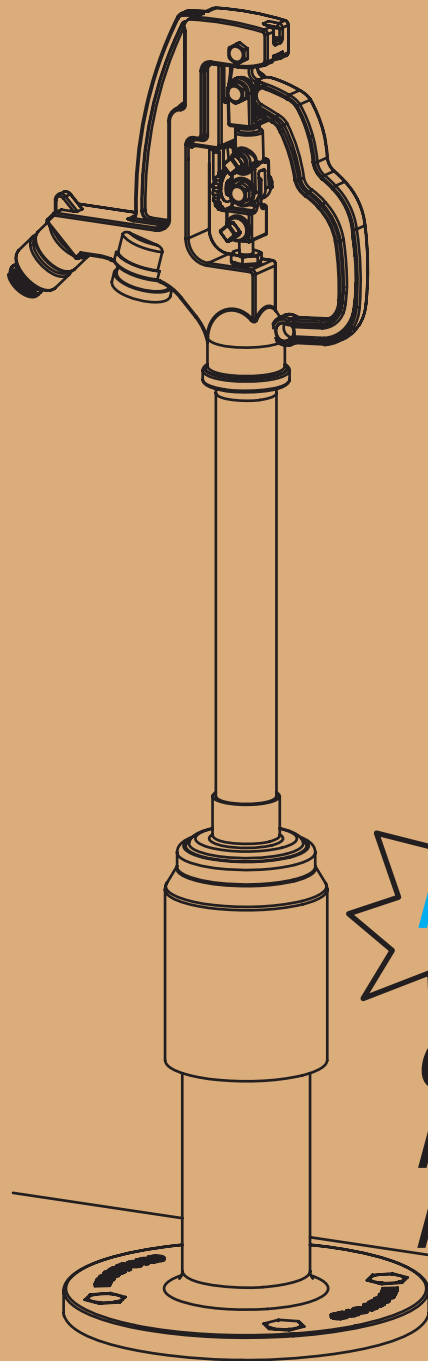


# WOODFORD

List Price Guide &  
Product Catalog

*Effective*  
*May 14, 2007*



***NEW!***

*Commercial  
ROOF  
HYDRANT*

Your Most Complete  
Source For Hose End  
Wall Faucets  
Wall Hydrants  
Yard Hydrants



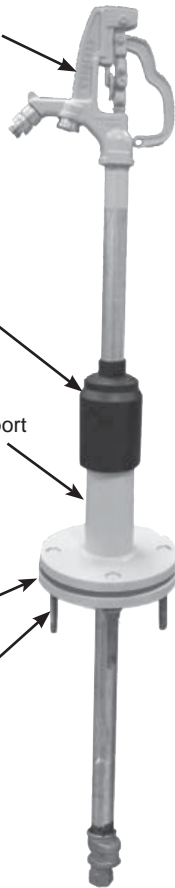
**NEW FOR '07**

# Model RHY1 & RHY2 Commercial Roof Hydrant



The Woodford RHY1 & RHY2 *Freezeless* Roof Hydrant is designed to facilitate installing a secure Y1 without backflow preventer, or Y2 with double check backflow preventer, on commercial roof surfaces. This product is to be used for cleaning condenser coils and the possible use of water for such duties as cleaning windows.

Y2 Hydrant (Shown)  
With Double Check  
Backflow Preventer  
OR  
Y1 Hydrant Without  
Backflow Preventer



ROOF HYDRANT	PRICE
RHY1-MS Complete	447.00
RHY2-MS Complete	512.00
RH-MS	210.00
RHY1	237.00
RHY2	302.00

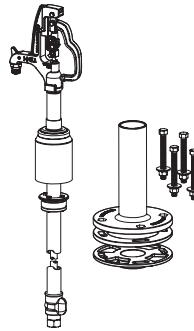
### Part# RHY1-MS

Consists of the complete Roof Hydrant system:

Qty. 1 RHY1  
Y1 Hydrant shipped in 1 carton.

Qty. 1 RH-MS  
Mounting System  
shipped in 1 carton.

Total Shipping Wt.  
2 cartons: 50 lbs



### Part# RHY1

Carton contents consists of:

- Y1 Hydrant Assembly
- Well Seal
- Boot

Shipped in 1 Carton.  
Shipping Wt. - 20 lbs



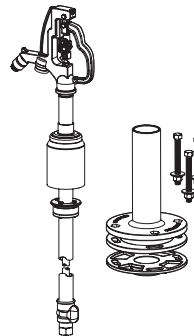
### Part# RHY2-MS

Consists of the complete Roof Hydrant system:

Qty. 1 RHY2  
Y2 Hydrant shipped in 1 carton.

Qty. 1 RH-MS  
Mounting System  
shipped in 1 carton.

Total Shipping Wt.  
2 cartons: 50 lbs

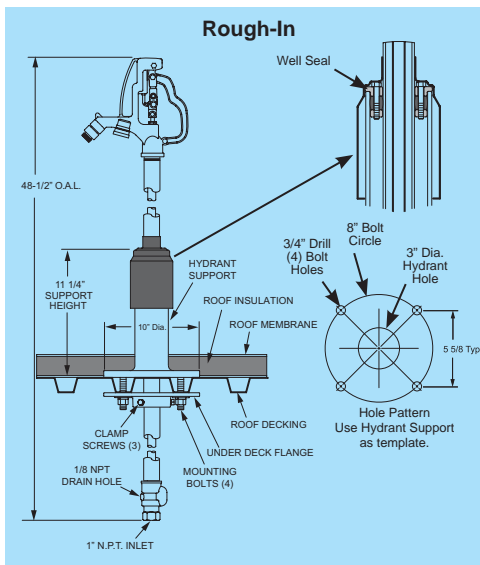


### Part# RHY2

Carton contents consists of:

- Y2 Hydrant Assembly
- Well Seal
- Boot (Part 20 above)

Shipped in 1 Carton.  
Shipping Wt. - 20 lbs

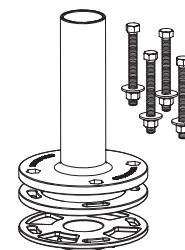


### Part# RH-MS

Carton contents consists of:  
Mounting System/Rough-In Components

- Hydrant Support - cast iron
- 2° Shim - cast iron
- Under Deck Flange - cast iron
- Mounting Bolts, Nuts & Washers

Shipped in 1 Carton.  
Shipping Wt. - 30 lbs





# Model 16, 19 & 29

Offers Protection From Bursting.



**MODEL 16**





**MODEL 19**

*Includes Anti-Siphon Protection*

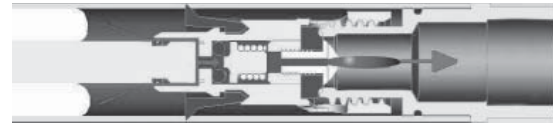
**See Page 4 for Rough-In Dimensions**

**COMMON FEATURES:**

A patented \*Pressure Relief Valve automatically relieves the water pressure created by unintentionally leaving a hose attached during freezing conditions, before it ruptures the pipe.

- ASSE-1019-C Listed (*Model 19 Only*)  
- IAPMO & UPC® Listed
- Oval, powder coated, die-cast aluminum handle

**\*PATENTED PRESSURE RELIEF VALVE  
STOPS PIPE RUPTURE**



*Releases At Approximately 350 P.S.I.*

**FREEZELESS WALL FAUCETS - Packed 10 Per Master Carton**

MODEL	WALL THICKNESS										
	4"	6"	8"	10"	12"	14"	16"	18"	20"	22"	24"
16C*, 16CP*, 16C1*, 16PX*	35.25	36.85	38.45	40.05	41.65	43.25	44.85	46.45	48.05	49.65	51.25
16P*, 16CP3, 16PX3	36.45	38.05	39.65	41.25	42.85	44.45	46.05	47.65	49.25	50.85	52.45
16R*, 16W*	37.10	38.70	40.30	41.90	43.50	45.10	46.70	48.30	49.90	51.50	53.10
16CM*	37.65	39.25	40.85	42.45	44.05	45.65	47.25	48.85	50.45	52.05	53.65
19C*, 19CP*, 19C1*, 19PX*	40.25	41.85	43.45	45.05	46.65	48.25	49.85	51.45	53.05	54.65	56.25
19P*, 19CP3, 19PX3	41.55	43.15	44.75	46.35	47.95	49.55	51.15	52.75	54.35	55.95	57.55
19R*, 19W*	42.20	43.80	45.40	47.00	48.60	50.20	51.80	53.40	55.00	56.60	58.20
19CM*	42.80	44.40	46.00	47.60	49.20	50.80	52.40	54.00	55.60	57.20	58.80

SUFFIX BP-Bulk pack cartons of 24 units are available at \$0.80 list per unit less than published price on 4", 6", 8" 10" & 12" lengths ONLY. Tee Key (Suffix TK) - Add \$1.00 list each.

## Model 29 Hot & Cold Faucets



**See Page 4 for Rough-In Dimensions**

**HOT & COLD FREEZELESS WALL FAUCETS - Packed 5 Per Master Carton**

MODEL 29	WALL THICKNESS										
	4"	6"	8"	10"	12"	14"	16"	18"	20"	22"	24"
C, CP, PX	106.40	109.60	112.80	116.00	119.20	122.40	125.60	128.80	132.00	135.20	138.40
P, CP3, PX3	108.15	111.35	114.55	117.75	120.95	124.15	127.35	130.55	133.75	136.95	140.15

Tee Key (Suffix TK) - Add \$2.00 list. Head drilled and tapped for Shower Faucet (Suffix-SF) - Add \$20.00 list

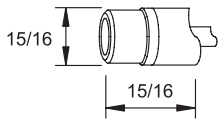
**The Model 14, 17, 22 & V22 Can Be Retro-Fitted With The Pressure Relief Valve by replacing with RK-PRV Upgrade Kit. See Page 17**

## Inlet Descriptions

## Rough-In Dimensions O.A.L.

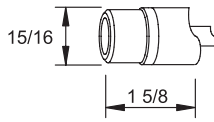
### Model 14, 16, 17, 19

### Model 22, 25, 27, 29

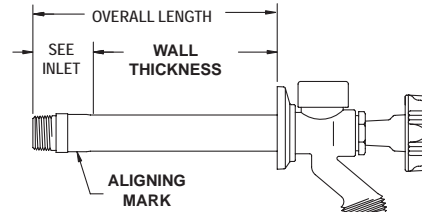


**C Inlet**  
COMBINATION  
Copper Sweat Fitting  
1/2"K, L and M Inside  
3/4"M Only Outside

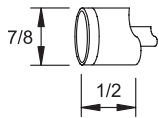
Standard: 14CC & 17CC



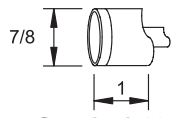
Standard: 27CC



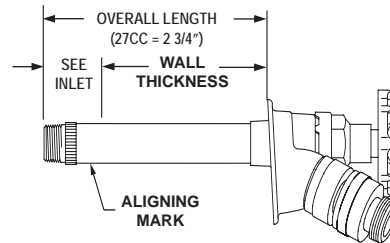
**Model 14, 16, 17 & 19**



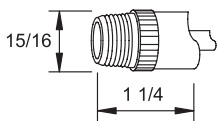
**C1 Inlet**  
1/2" Copper Sweat



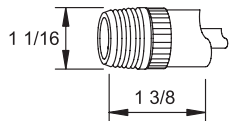
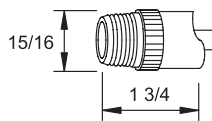
Standard: 22CC



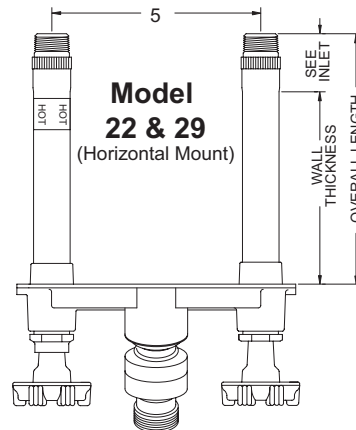
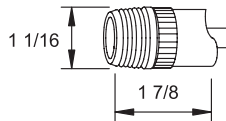
**Model 25 & 27**



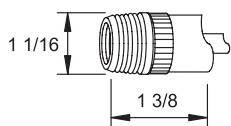
**CP Inlet**  
COMBINATION  
1/2" Male Pipe Thread  
1/2" Female Sweat



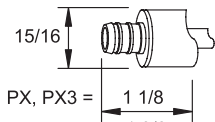
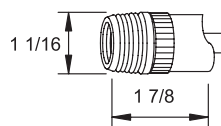
**CP3 Inlet**  
COMBINATION  
3/4" Male Pipe Thread  
3/4" Female Sweat



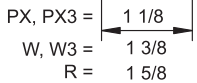
**Model 22 & 29**  
(Horizontal Mount)



**P Inlet**  
COMBINATION  
1/2" Female Pipe Thread  
3/4" Male Pipe Thread



**PX Inlet**  
1/2" PEX Tube Fitting

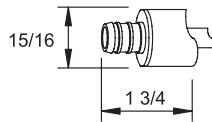


**PX3 Inlet**  
3/4" PEX Tube Fitting

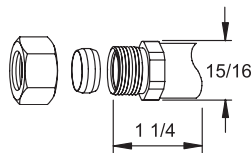
**W Inlet**  
1/2" Wirsbo Tube Fitting

**W3 Inlet**  
3/4" Wirsbo Tube Fitting

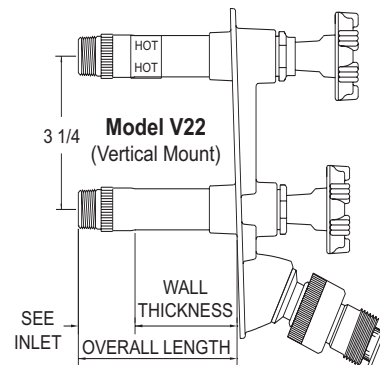
**R Inlet**  
1/2" Rehau Tube Fitting



PX OR PX3 Inlet Only



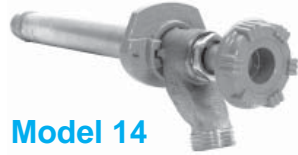
**CM Inlet**  
COMBINATION  
1/2" Compression Fitting  
1/2" Copper Sweat Fitting



**Model V22**  
(Vertical Mount)



# Residential Wall Faucets



**Model 14**



**Model 17**  
Anti-Siphon  
ASSE 1019-C

**FREEZELESS WALL FAUCETS - Metal Handle Standard - Packed 10 Per Master Carton**

MODEL	WALL THICKNESS										
	4"	6"	8"	10"	12"	14"	16"	18"	20"	22"	24"
14C*, 14CP*, 14C1*, 14PX*	25.25	26.85	28.45	30.05	31.65	33.25	34.85	36.45	38.05	39.65	41.25
14P*, 14CP3, 14PX3	26.45	28.05	29.65	31.25	32.85	34.45	36.05	37.65	39.25	40.85	42.45
14R*, 14W*	27.10	28.70	30.30	31.90	33.50	35.10	36.70	38.30	39.90	41.50	43.10
14CM*	27.65	29.25	30.85	32.45	34.05	35.65	37.25	38.85	40.45	42.05	43.65
17C*, 17CP*, 17PX*	30.25	31.85	33.45	35.05	36.65	38.25	39.85	41.45	43.05	44.65	46.25
17P*, 17CP3, 17PX3	31.55	33.15	34.75	36.35	37.95	39.55	41.15	42.75	44.35	45.95	47.55
17R*, 17W*	32.20	33.80	35.40	37.00	38.60	40.20	41.80	43.40	45.00	46.60	48.20
17CM*	32.80	34.40	36.00	37.60	39.20	40.80	42.40	44.00	45.60	47.20	48.80

SUFFIX BP-Bulk pack cartons of 24 units are available at \$0.80 per unit less than published price on 4", 6", 8" 10" & 12" lengths ONLY.  
Plastic Handle (Suffix PH) - Deduct \$0.40 list each. Tee Key (Suffix TK) - Add \$1.00 list each.



**Model 22**  
Horizontal Mount  
ASSE 1019-A



**Model V22**  
Vertical Mount  
ASSE 1019-A

**FREEZELESS WALL FAUCETS - Metal Handles Standard - Packed 5 Per Master Carton**

MODEL 22 or V22	WALL THICKNESS										
	4"	6"	8"	10"	12"	14"	16"	18"	20"	22"	24"
C, CP, PX	86.40	89.60	92.80	96.00	99.20	102.40	105.60	108.80	112.00	115.20	118.40
P, CP3, PX3	88.15	91.35	94.55	97.75	100.95	104.15	107.35	110.55	113.75	116.95	120.15

(2) Plastic Handle (Suffix PH) - Deduct \$.80 list. (2) Tee Keys (Suffix TK) - Add \$2.00 list.  
Head drilled and tapped for Shower Faucet (Suffix-SF) - Add \$20.00.

**Model 25**  
Anti-Siphon  
Vacuum Breaker  
ASSE 1019-B



**Model 27**  
Double Check  
Backflow Preventer  
Field Testable  
ASSE 1052 Device  
No Sprayback



**FREEZELESS WALL FAUCETS - AUTOMATIC DRAINING - Packed 10 Per Master Carton**

MODEL 25 or 27	WALL THICKNESS										
	4"	6"	8"	10"	12"	14"	16"	18"	20"	22"	24"
C, CP, PX	52.95	54.55	56.15	57.75	59.35	60.95	62.55	64.15	65.75	67.35	68.95
P, CP3, PX3	55.40	57.00	58.60	60.20	61.80	63.40	65.00	66.60	68.20	69.80	71.40

Must specify Model, Inlet and Wall Thickness. Tee Key (Suffix TK) - Add \$1.00 list each.

**LAWN SPRINKLER WALL HYDRANTS - FREEZELESS / GALVANIZED PIPE CASING  
BRASS FINISH ONLY**

MODEL	WALL THICKNESS		
	4"- 6"- 8"	10"- 12"- 14"- 16"	18"- 20"- 22"- 24"
32	179.15	184.50	189.85

OPTIONAL - Brass Pipe Casing - Contact factory for pricing.

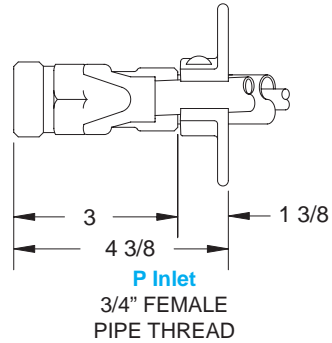
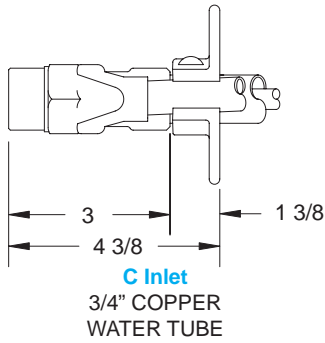


**Model 32**

The Woodford Sprinkler System allows water service to be controlled from the building exterior. A redesigned head casting fits flush against an existing wall and the flow area of the head, valve body and outlets has been enlarged to increase flow rate and reduce the pressure loss through the hydrant. The pipe casing will pass through an 1-7/8" hole. A combination valve body is standard: 3/4"-14 FPT & 1"-11.5 MPT. Two outlet fittings are included: 3/4" NPT & 1" NPT. See rough-in dimensions on page 6.

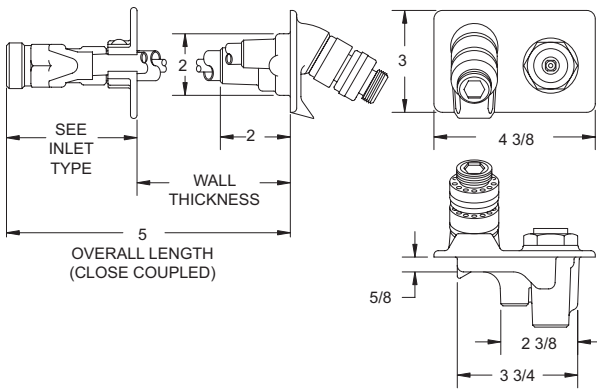
## Inlet Descriptions

**Model 65 & 67**  
**Model B65 & RB65**  
**Model B67 & RB67**

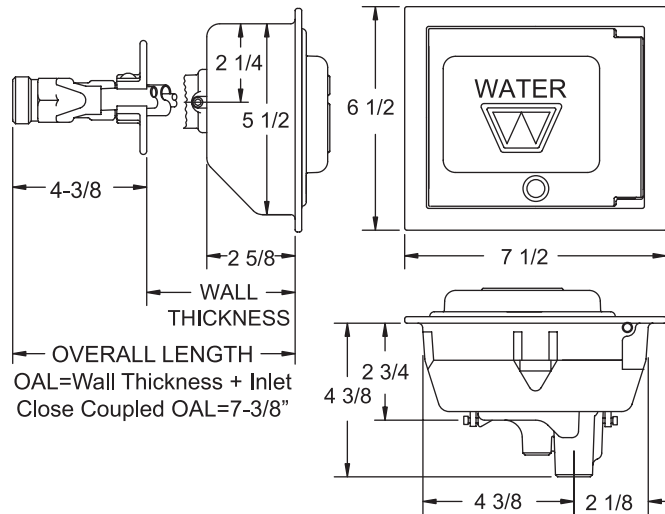


## Rough-In Dimensions

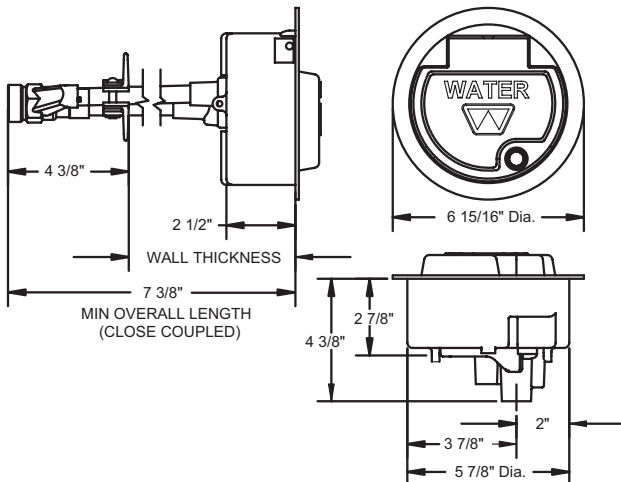
### Model 65 & 67



### Model B65 & B67

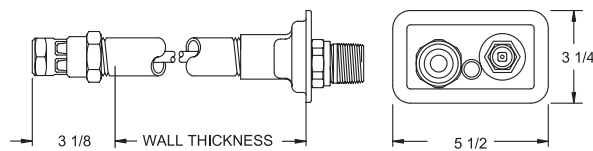


### Model RB65 & RB67



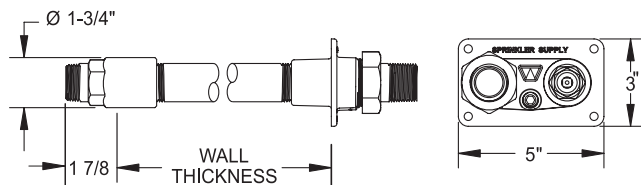
### Model 70

**C Inlet - 3/4" Female Copper Sweat**  
**P Inlet - 3/4" FPT**



### Model 32

**Combination Inlet**  
**3/4"-14 FPT & 1"-11.5 MPT**







# Commercial Wall Hydrants



## Model 65

ASSE 1019-B Approved  
With ASSE 1011  
Anti-Siphon  
Vacuum Breaker



## Model 67

Double Check  
Backflow Preventer  
Field Testable  
ASSE 1052 Device  
No Sprayback



### WALL HYDRANTS - FREEZELESS / AUTOMATIC DRAINING / CHROME FINISH STANDARD

MODEL 65 or 67	WALL THICKNESS		
	Close Coupled- 4"- 6"- 8"	10"- 12"- 14"- 16"	18"- 20"- 22"- 24"
C, P	174.90	185.95	197.00

**Must specify Model, Inlet and Wall Thickness**

OPTIONAL FINISH: Rough Brass (BR) - Deduct (\$7.00); Polished Brass (PB) - Add \$35.00 list each.



**Model B65**

ASSE 1019-B Approved  
With ASSE 1011  
Anti-Siphon  
Vacuum Breaker



**Model RB65**

**Round Box models install through 6" diameter cored hole or 6" Sch. 40 PVC sleeve.**



**Model B67**

Double Check  
Backflow Preventer  
Field Testable  
ASSE 1052 Device  
No Sprayback



**Model RB67**

### FACTORY ASSEMBLED - SQUARE (B) & ROUND (RB) BOX TYPE WALL HYDRANTS - FREEZELESS / AUTOMATIC DRAINING / CHROME FINISH STANDARD

MODEL	WALL THICKNESS		
	Close Coupled- 4"- 6"- 8"	10"- 12"- 14"- 16"	18"- 20"- 22"- 24"
B65 or B67, C or P Inlet	349.25	360.30	371.35
RB65 or RB67, C or P Inlet	369.80	380.85	391.90

### OPTIONAL ANODIZED ALUMINUM (AL) Square Box & Door Only

B65 (AL) or B67 (AL), C or P Inlet	309.25	320.30	331.35
------------------------------------	--------	--------	--------

**Must specify Model, Inlet and Wall Thickness.** OPTIONAL FINISH Square Box Only: Rough Brass (BR) - Deduct (\$13.00) list each Polished Brass (PB) - Add \$55.00 list each; Cylinder Lock Door: Specify Suffix (K) - Add \$35.00 list each. - Available on Chrome Square Box Only Flat door available for B65 ONLY (Suffix F) - N/C (Example: B65C-10-F)  
Round Box -Chrome Finish Only. Order RB67BX (Bubble door only)

**NOTE:** Chrome box assemblies are available to convert existing wall hydrant inventory to box type wall hydrants.

\*When converting to box type hydrant, deduct 2" from hydrant.

• EXAMPLE: B65-10" requires Box + 8" Model 65 or 67.

\*Order 67BX to convert to box type B65 or B67 - Add \$174.35 list each.

\*Order RB67BX to convert to round box type RB65 or RB67 - Add \$194.90 list each.

## Freezeless Wall Hydrant

### WALL HYDRANTS - GALVANIZED PIPE CASING / CHROME FINISH STANDARD

MODEL	WALL THICKNESS		
	4"- 6"- 8"	10"- 12"- 14"- 16"	18"- 20"- 22"- 24"
70C, 70P	133.20	137.75	142.30

OPTIONAL FINISH: Polished Brass (PB) - Add \$25.00 list each.



**Model 70P**



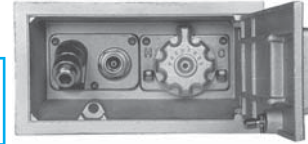
## Hot & Cold Commercial Wall Hydrants



**Model HC67**



**Model HCB67**  
ASSE 1052



**HOT and COLD MIXERS FREEZELESS / AUTOMATIC DRAINING / CHROME FINISH STANDARD**

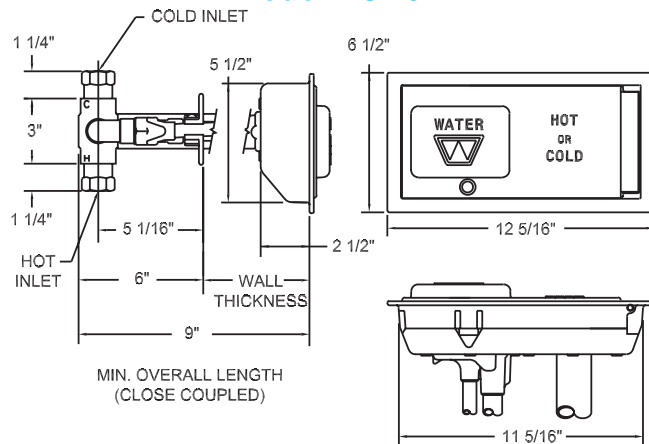
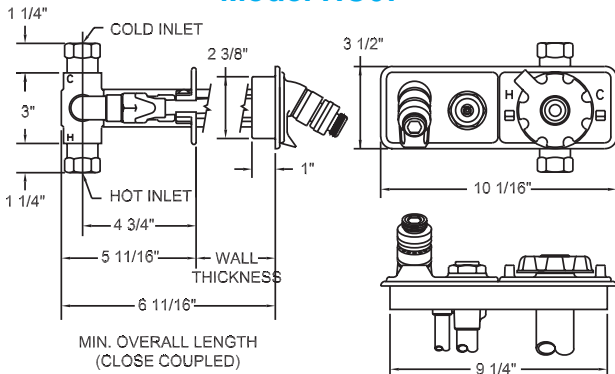
MODEL	WALL THICKNESS		
	Close Coupled- 4" - 6" - 8"	10" - 12" - 14" - 16"	18" - 20" - 22" - 24"
HC67*	435.15	448.55	461.95
HCB67 Box Type**	706.30	719.70	733.10

\*OPTIONAL FINISH: Rough Brass (BR) - Deduct (\$18.00); Polished Brass (PB) - N/A

\*\*OPTIONAL FINISH: (Box Only): Rough Brass (BR) - Deduct (\$20.00); Polished Brass (PB) - Add \$65.00

**Model HC67**

**Model HCB67**

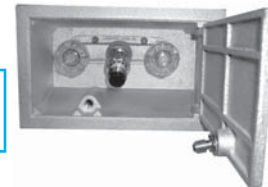


## Hot & Cold Light Duty Commercial Wall Hydrants

**Model C22**  
ASSE 1019-A



**Model B22**  
ASSE 1019-A



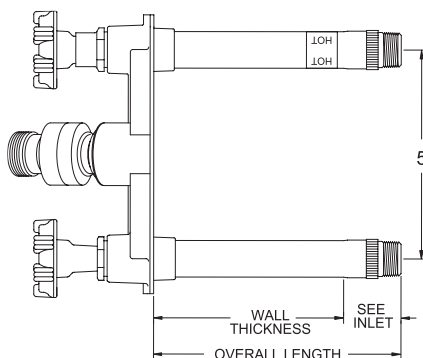
**FREEZELESS HOT & COLD WALL FAUCETS / CHROME FINISH STANDARD**

MODEL C22 or B22	WALL THICKNESS										
	4"	6"	8"	10"	12"	14"	16"	18"	20"	22"	24"
C22C, C22CP, C22PX	178.90	182.10	185.30	188.50	191.70	194.90	198.10	201.30	204.50	207.70	210.90
C22P, C22CP3, PX3	180.45	183.65	186.85	190.05	193.25	196.45	199.65	202.85	206.05	209.25	212.45
B22C, B22CP, B22PX	N/A	478.80	482.00	485.20	488.40	491.60	494.80	498.00	501.20	504.40	507.60
B22P, B22CP3, PX3	N/A	480.35	483.55	486.75	489.95	493.15	496.35	499.55	502.75	505.95	509.15

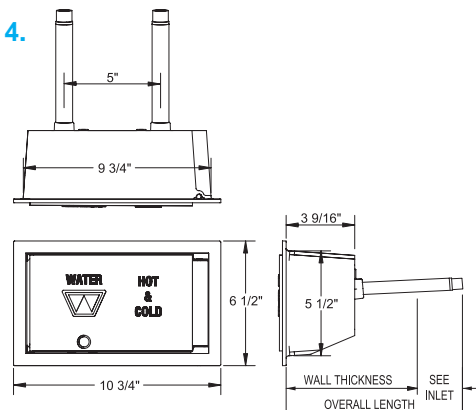
199.65(2) Brown Powder Coated Metal Handles (Suffix MH) - Add \$.80 list. (2) Tee Keys (Suffix TK) - Add \$2.00 list.

B22 Available in Rough Brass (BR) - Deduct (\$13.00) list. Box only (22BX) - \$296.70 list.

See inlet variations on page 4.



**CC Close Coupled Prices  
And Dimensions  
Listed On Page 12.**



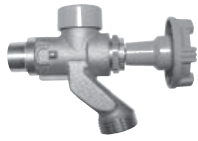




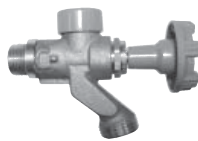
# Mild Climate Series Residential Wall Faucets



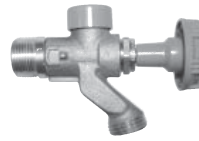
**SOLD IN CARTONS OF 6 ONLY**



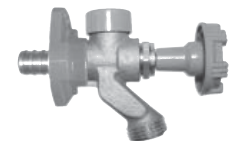
**101C**



**101CP**



**101P**



**101PX**

The Model 101 is an anti-siphon protected wall faucet designed with the classic Woodford look for use in non-freezing areas. The anti-siphon feature includes an integral check and atmospheric vent which eliminates the need for an add-on vacuum breaker. Choose from four inlet options. **Wall flange is included with all models.**

ASSE 1019-Type C Approved

**MILD CLIMATE WALL FAUCETS - Metal Handles Standard**

MODEL	
101C - 1/2" & 3/4" Copper Sweat Inlet	17.05
101CP - 1/2" MPT & 1/2" Sweat Inlet	17.05
101P - 3/4" MPT & 1/2" FPT Inlet	18.20
101PX - 1/2" Pex Tube Inlet	17.05

## Close Coupled Residential Wall Faucets

**All faucets fit within 2 X 4 wall or interior wall installations.**

**All CC faucets contain same superior Woodford components as dimensioned units.**



**14CC**  
C Inlet



**17CC**  
ASSE 1019-C  
C Inlet



**22CC**  
ASSE 1019-A  
C1 Inlet



**27CC**  
ASSE 1052  
C Inlet

**CLOSE COUPLED WALL FAUCETS - Metal Handles Standard**

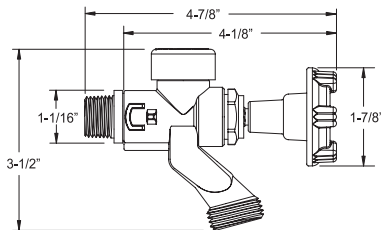
MODEL	
14CC (PX Inlet Optional)	23.55
17CC (PX Inlet Optional)	28.35
22CC (PX Inlet Optional)	83.25
27CC (PX Inlet Optional)	50.00

Model 14CC & 17CC: Plastic Handle (Suffix PH) - Deduct \$0.40 list each.

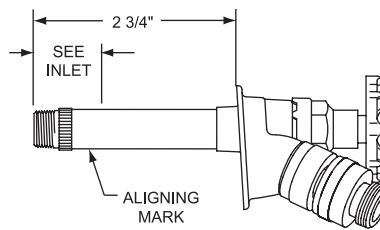
Tee Key (Suffix TK) - Add \$1.00 list each.

Model 22CC: (2) Plastic Handles (Suffix PH) - Deduct \$0.80 list each.

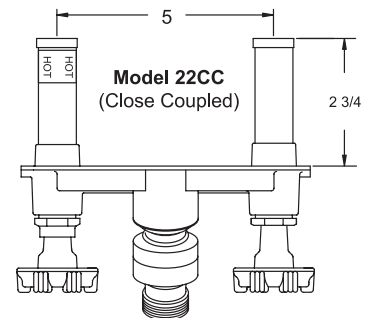
## Close Coupled Rough-In Dimensions.



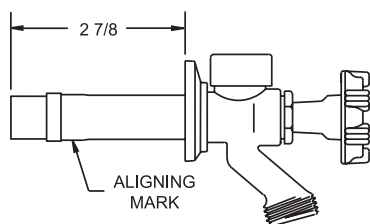
**Model 101**



**Model 27CC**



**Model 22CC or C22CC**



**Model 14CC or 17CC**



# Mild Climate Series Commercial Wall Faucets



**Model 24**  
P1/2 or P3/4  
ASSE 1011 VB



**Model 26**  
P1/2 or P3/4  
ASSE 1052 BP



**Model 24C**  
ASSE 1011 VB



**Model 24CP**  
ASSE 1011 VB



**Model Y26**  
ASSE 1052 BP

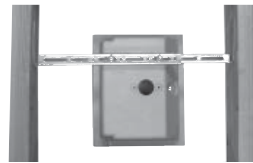
**NON-FREEZE AREA FAUCETS - TEE KEY & WHEEL HANDLE; ROUGH CHROME FINISH STANDARD**

MODEL	FEATURES	ROUGH BRASS (BR)	ROUGH CHROME (CH)	POLISHED CHROME (PC)
21P1/2, 21P3/4	without vacuum breaker	22.70	30.25	38.35
21C, 21CP	without vacuum breaker	34.25	41.80	49.90
24 or 26P1/2, P3/4	with vacuum breaker or backflow preventer	31.05	38.60	46.70
24 or 26C, CP	with vacuum breaker or backflow preventer	45.75	53.30	61.40
Y24 or Y26	with vacuum breaker or backflow preventer	41.75	49.30	57.40

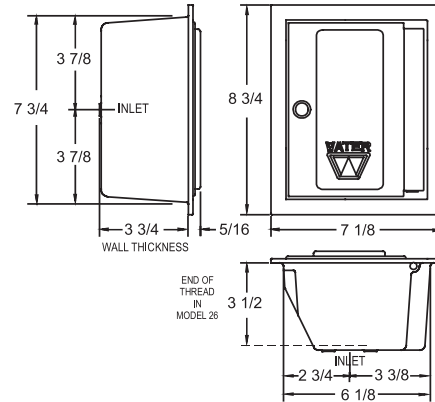
Specify (Suffix BR) for Rough Brass, (Suffix PC) for Polished Chrome  
Metal Handle (Suffix MH) Optional



**Model B24 or B26**



Box is drilled for optional mounting bracket.  
Order: RK-Bracket

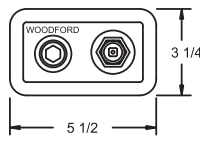
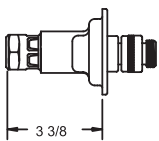


**NON-FREEZE AREA BOX TYPE FAUCETS - TEE KEY & WHEEL HANDLE / CHROME FINISH STANDARD**

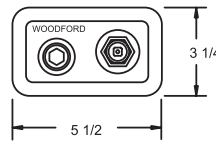
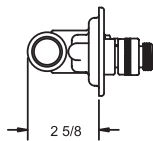
MODEL	FEATURES	PRICE
B24-1/2 or 3/4	with chrome plated box and vacuum breaker	267.45
B24-1/2 or 3/4-AL	with aluminum box and vacuum breaker	227.45
B26-1/2 or 3/4	with chrome plated box and backflow preventer	292.95
B26-1/2 or 3/4-AL	with aluminum box and backflow preventer	252.95

OPTIONAL FINISH: Rough Brass (BR) - Deduct (\$13.00) list each; Polished Brass (PB) - Add \$50.00 list each  
B24 Box w/Flat Door (B24BX) - \$228.85; B26 Box w/Bubble Door (B26BX) - \$254.35

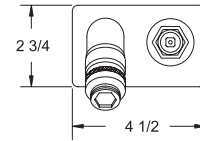
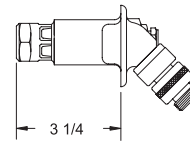
## Close Coupled Rough-In Dimensions



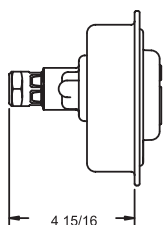
**Model 74 & 76**  
C Inlet - 3/4" Female Copper Sweat  
P Inlet - 3/4" FPT



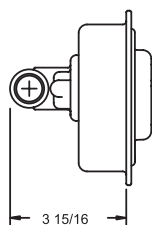
**Model 75 & 79**  
3/4" FPT  
360° Swivel Inlet



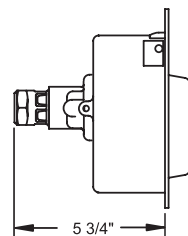
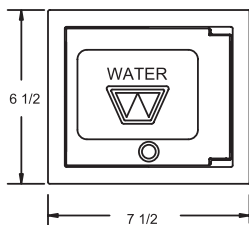
**Model 84 & 86**  
C Inlet - 3/4" Female Copper Sweat  
P Inlet - 3/4" FPT



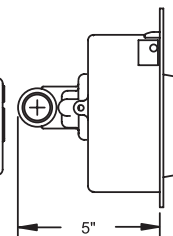
**B74 & B76**



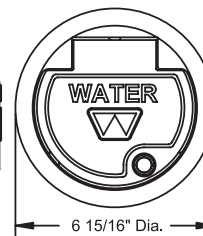
**B75 & B79**



**RB74 & RB76**



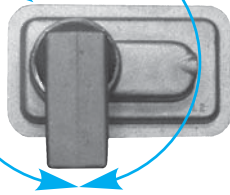
**RB75 & RB79**





# Mild Climate Series

## Close Coupled Commercial Wall Hydrants



The unique design of the Model 75 and 79 allows the installer to rotate the 3/4" FPT inlet by hand to easily complete connection regardless of direction.



**Model 75**  
ASSE 1011 VB



**Model 79**  
ASSE 1052 BP

### NON-FREEZE AREA - CLOSE COUPLED WALL HYDRANTS / CHROME FINISH STANDARD

MODEL	FEATURES	PRICE
<b>75</b>	with vacuum breaker (New swivel inlet with adjustable 360° orientation)	128.40
<b>79</b>	with backflow preventer (New swivel inlet with adjustable 360° orientation)	143.75

OPTIONAL FINISH: Rough Brass (BR) - Deduct (\$7.00) list each; Polished Brass (PB) - Add \$30.00 list each



**Model 74**  
ASSE 1011



**Model 76**  
ASSE 1052



**Model 84**  
ASSE 1011



**Model 86**  
ASSE 1052

### NON-FREEZE AREA - CLOSE COUPLED WALL HYDRANTS / CHROME FINISH STANDARD

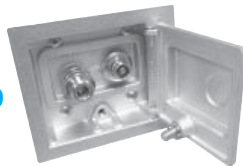
MODEL	FEATURES	PRICE
<b>74C, 74P</b>	with straight nozzle and vacuum breaker	141.65
<b>84C, 84P</b>	with angled nozzle and vacuum breaker	141.65
<b>76C, 76P</b>	with straight nozzle and backflow preventer	156.70
<b>86C, 86P</b>	with angled nozzle and backflow preventer	152.50

OPTIONAL FINISH: Rough Brass (BR) - Deduct (\$7.00) list each; Polished Brass (PB) - Add \$30.00 list each

## Box Type Close Coupled Commercial Wall Hydrants

**Model B74 or B75**  
ASSE 1011

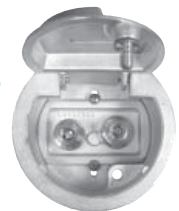
**Model B76 or B79**  
ASSE 1052



**Mounting Bracket**  
Included

**Model RB74 or B75**  
ASSE 1011

**Model RB76 or B79**  
ASSE 1052



### NON-FREEZE AREA - CLOSE COUPLED WALL HYDRANTS / CHROME FINISH STANDARD

MODEL	FEATURES	PRICE
<b>B74C, B74P</b>	with straight nozzle and vacuum breaker	327.45
<b>B75</b>	with vacuum breaker (New swivel inlet with adjustable 360° orientation)	314.20
<b>B76C, B76P</b>	with straight nozzle and backflow preventer	342.50
<b>B79</b>	with backflow preventer (New swivel inlet with adjustable 360° orientation)	329.55

MOUNTING BRACKET INCLUDED

OPTIONAL FINISH: Rough Brass (BR) - Deduct (\$13.00) list each; Polished Brass (PB) - Add \$55.00 list each

Cylinder Lock Door: Specify (Suffix K) - Add \$35.00 list each. (Available in Chrome Box Only)

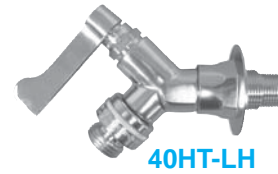
Flat door available for B74 or B75 ONLY - (Suffix F) - N/C

Optional: Round Box (Prefix RB) - Add \$21.95 list each - (Available in Chrome Only)

Order 74BX box assembly to convert to box type B74, B75, B76, B79 - Add \$185.80 list each



# Mild Climate Series Polished Chrome Standard



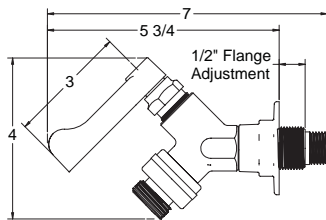
ALL MODELS INCLUDE AN ADJUSTABLE WALL FLANGE.

MILD CLIMATE SERIES - ASSE 1011 Anti-Siphon Vacuum Breaker / POLISHED CHROME FINISH STANDARD

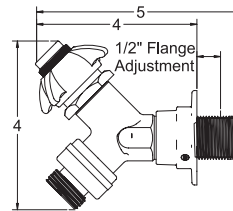
MODEL	DESCRIPTION	PRICE
40SC	Self Close Wheel Handle; 1/2" or 3/4" MPT Inlet	126.10
40SC-LH	Self Close Lever Handle; 1/2" or 3/4" MPT Inlet ADA Compliant	130.00
40HT	Half Turn Wheel Handle; 1/2" or 3/4" MPT Inlet	126.10
40HT-LH	Half Turn Lever Handle; 1/2" or 3/4" MPT Inlet ADA Compliant	130.00

Metal Handle (MH) available on HT Models - Add \$1.00 each; Bald Nose Nozzle (BN) - Deduct (\$3.00) list each

## Model 40 Series Inlet Descriptions



**Model 40SC-LH & 40HT-LH**  
1/2" MPT/1/2" Sweat or 3/4" MPT



**Model 40SC & 40HT**  
1/2" MPT/1/2" Sweat or 3/4" MPT



1/2" Female Inlet



1/2" Female Inlet



1/2" Male Inlet



1/2" Male Inlet



3/4" Male Inlet



3/4" Male Inlet

**45**  
3/4" Female Inlet

**45VB**  
3/4" Female Inlet

SINGLE SINK FITTINGS - ASSE 1011 Anti-Siphon Vacuum Breaker / POLISHED CHROME FINISH STANDARD

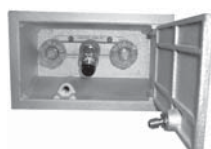
MODEL	DESCRIPTION	PRICE
43, 44	1/2" FPT Inlet; 1/2" MPT Inlet	62.70
45, 46	3/4" FPT Inlet; 3/4" MPT Inlet	62.70
43VB, 44VB	1/2" FPT Inlet; 1/2" MPT Inlet - With Vacuum Breaker	77.60
45VB, 46VB	3/4" FPT Inlet; 3/4" MPT Inlet - With Vacuum Breaker	77.60

OPTIONAL FINISH: Rough Brass (BR) - Deduct (\$5.00) list each; Metal handle (MH) - Add \$1.00 list each.  
Tee Key and Wheel handle Standard

## Hot & Cold Close Coupled Commercial Wall Hydrants

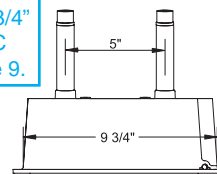


**Model C22CC**  
C1 Inlet

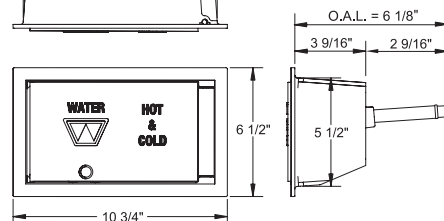


**Model B22CC**  
C1 Inlet

C22CC O.A.L. = 2 3/4"  
See Model 22CC  
Rough-In On Page 9.



**Model B22CC**  
Rough-In



CLOSE COUPLED HOT & COLD WALL FAUCETS / ASSE 1019-A

MODEL	CHROME
C22CC (PX Inlet Optional)	176.00
B22CC (PX Inlet Optional) - Box Type	472.70

(2) Powder Coated Metal Handles (Suffix MH) Add \$1.60 list.

(2) Tee Keys (Suffix TK) Add \$2.00 list each.

B22CC Available in Rough Brass; B22 (BR) - Deduct (13.00) list each.



Y1/Y34



Y2



R34



Y30



W34/X34



Y95

### FREEZELESS YARD HYDRANTS

MODEL		BURY DEPTH									
		1'	2'	3'	4'	5'	6'	7'	8'	9'	10'
<b>3/4" INLETS</b>											
R34		50.25	55.25	60.25	65.25	70.25	75.25	80.25	N/A	N/A	N/A
W34		79.95	85.20	91.05	96.60	102.15	107.70	113.25	N/A	N/A	N/A
X34		64.50	70.05	75.60	81.15	86.70	92.25	97.80	N/A	N/A	N/A
Y30BR	(1)	162.15	168.75	175.35	181.95	188.55	195.15	201.75	N/A	N/A	N/A
Y30CH	(1)	212.70	219.30	225.90	232.50	239.10	245.70	252.30	N/A	N/A	N/A
Y34	(1)(3)	93.15	98.70	104.25	109.80	115.35	120.90	126.45	132.00	137.55	143.10
Y95	(1)(2)	399.55	406.15	412.75	419.35	425.95	432.55	439.15	N/A	N/A	N/A
<b>1" INLETS</b>											
Y1	(1)(3)	122.70	128.25	133.80	139.35	144.90	150.45	156.00	161.55	167.10	172.65
Y2	(1)(4)	185.20	194.30	203.40	212.50	221.60	230.70	239.80	N/A	N/A	N/A

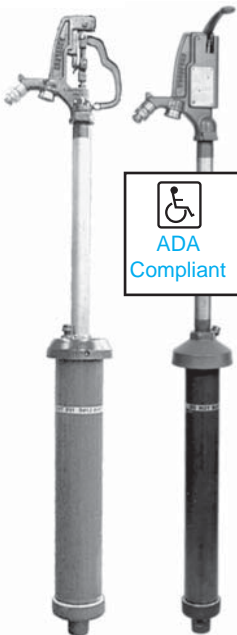
(1) Brass pipe casing and operating pipe available. Contact factory for pricing.

See rough-in dimensions on page 14

(2) Polished brass (PB) finish: Add \$55.00 list each

(3) One Inch Hose Nozzle (Suffix HN) Add \$18.00 list each

(4) Backflow Protected



S3

S4H



### FREEZELESS SANITARY YARD HYDRANTS

MODEL	BURY DEPTH						
	1'	2'	3'	4'	5'	6'	7'
S3/S4H	656.30	675.65	695.00	714.35	733.70	753.05	772.40

OPTIONAL: ASSE 1057 Approved Device - Single Check Vacuum Breaker (Suffix SC)

S3 - Manual Close - Backflow Protected

S4H - ADA Compliant - SELF CLOSING - Backflow Protected

See rough-in dimensions on page 14

### FREEZELESS SANITARY WATER CONNECTOR

MODEL	BURY DEPTH						
	1'	2'	3'	4'	5'	6'	7'
THERMALINE	167.10	178.00	188.90	199.80	210.70	221.60	232.50

Brass pipe casing and operating pipe available. Contact factory for pricing.

Available without heating element (Suffix NE) - Deduct (\$6.00) list each

See rough-in dimensions on page 14

### HEATED SANITARY YARD HYDRANT - ASSE 1057 Listed

MODEL	PRICE
H34	278.45
H34-C12 Includes 12' cord	288.45
H34-C25 Includes 25' cord	288.45

One Length Required. 1" MPT Male Thread Inlet

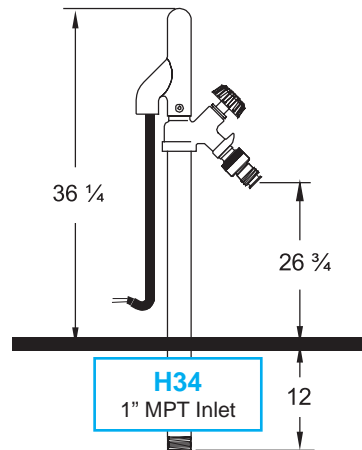
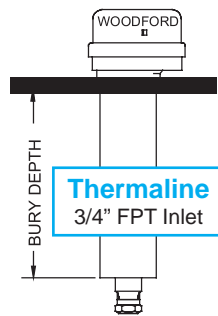
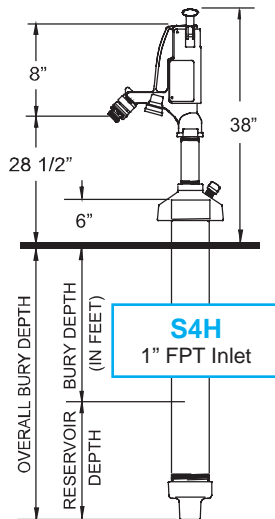
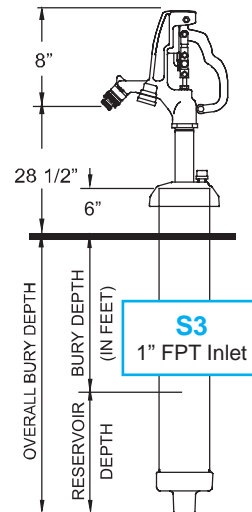
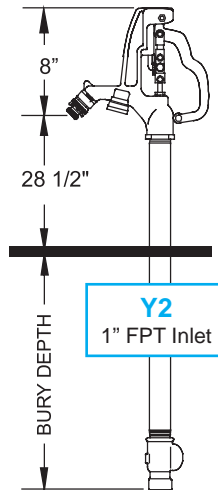
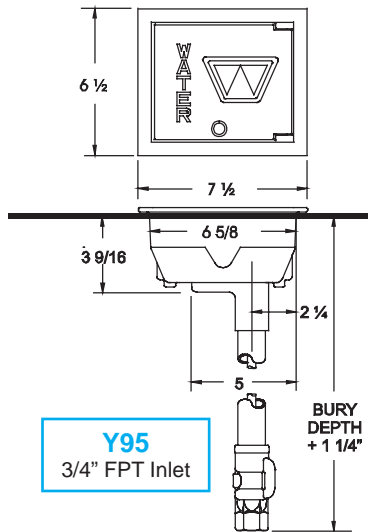
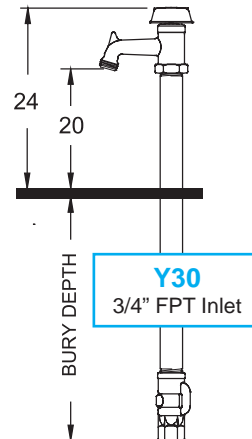
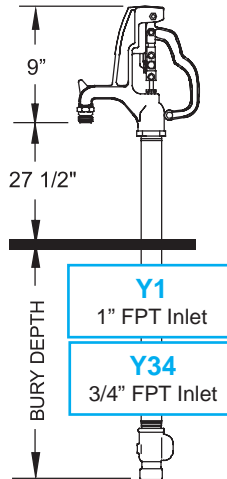
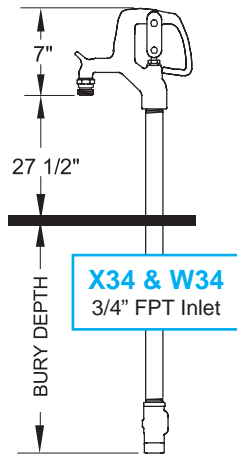
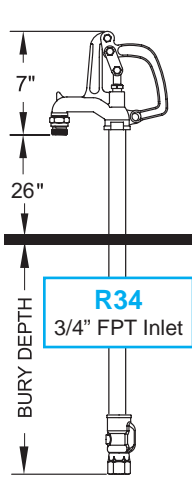
See rough-in dimensions on page 14



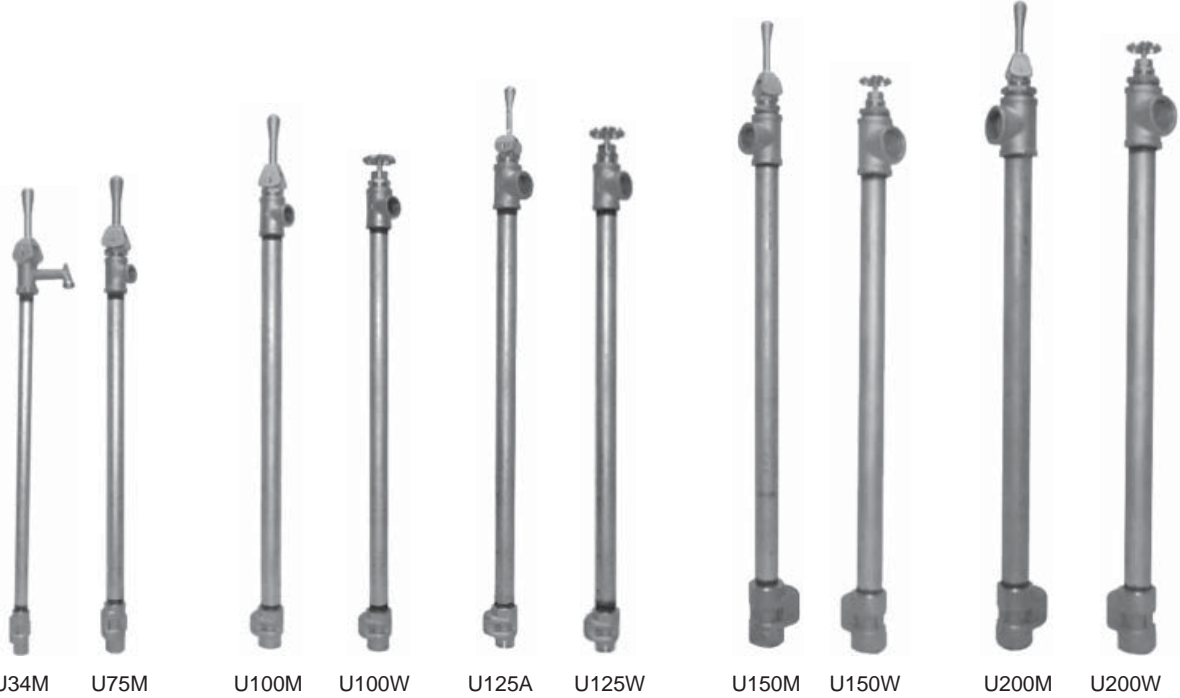
Thermaline

H34







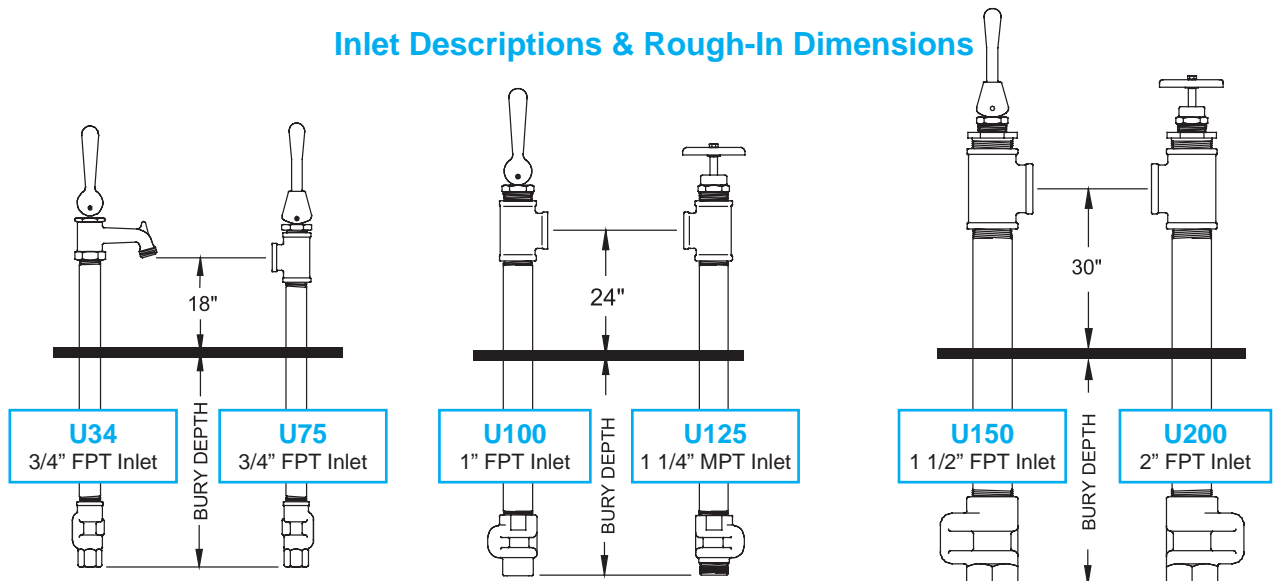


### FREEZELESS UTILITY HYDRANTS

MODEL		BURY DEPTH						
		1'	2'	3'	4'	5'	6'	7'
<b>3/4" INLETS</b>								
U34 Spout	(1)	169.45	176.40	183.35	190.30	197.25	204.20	211.15
U75 Tee	(1)	169.45	176.40	183.35	190.30	197.25	204.20	211.15
<b>1" INLETS</b>								
U100	(2)	206.40	217.90	229.40	240.90	252.40	263.90	275.40
<b>1 1/4" INLETS</b>								
U125	(2)	233.80	246.35	258.90	271.45	284.00	296.55	309.10
<b>1 1/2" INLETS</b>								
U150	(3)	532.35	544.90	557.45	570.00	582.55	595.10	607.65
<b>2" INLETS</b>								
U200	(3)	720.85	738.65	756.45	774.25	792.05	809.85	827.65

- (1) Specify Suffix "A" (Automatic Close Handle), "M" (Manual Close Handle)
- (2) Specify Suffix "A" (Automatic Close Handle), "M" (Manual Close Handle), "W" (Wheel Handle)
- (3) Specify Suffix "M" (Manual Close Handle), "W" (Wheel Handle)

### Inlet Descriptions & Rough-In Dimensions





# Hose Connection Vacuum Breakers & Backflow Preventers



34H 34HD  
Single Check  
ASSE 1011



37HD1 37HD2  
Double Check  
ASSE 1052

## 38DF Laboratory Vacuum Breaker Polished Chrome

**\$36.05**

The ASSE 1035 approved Model 38DF vacuum breaker is designed for laboratory use to provide protection against back siphonage and backflow from aspirators or hoses left in contaminants.

Dual-seal silicone diaphragm valves guard against danger of cross contamination.



ADD-ON DEVICES				
FINISH	34H	34HD	37HD1	37HD2
BRASS (BR)	11.85	15.80	43.00	58.35
CHROME (CH)	16.00	19.95	50.25	65.60

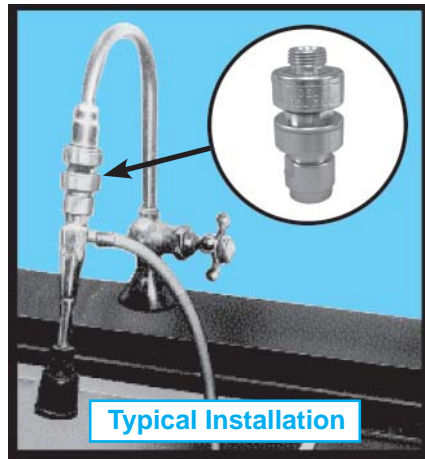


34HA 34HF 34HW  
Single Check  
ASSE 1011

37HA 37HF  
Double Check  
ASSE 1052

INTEGRAL DEVICES						
FINISH	34HA	34HF	*34HW	**VB222	***37HA	37HF
BRASS (BR)	16.20	16.20	39.55	32.80	24.40	44.05
CHROME (CH)	20.35	20.35	43.70	33.55	31.65	51.30

34HA standard on Model 25 & 65; 34HF standard on Model 24, 43, 44, 45, 46, 74, 75, 85  
37HA standard on Model 27 & 67; 37HF standard on Model 26, 76, 79, 86, Y2  
\* 55180 Nozzle Required; \*\* Replacement for Model 22 (Brass) & C22 (Chrome);  
\*\*\* Converts Model 25 to Model 27 & Model 65 to Model 67



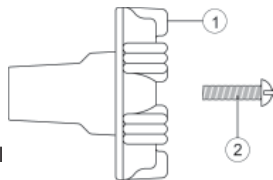
Typical Installation

## Repair Kit List Prices

### RK-14/17MH

WHEEL HANDLE

**\$3.05**

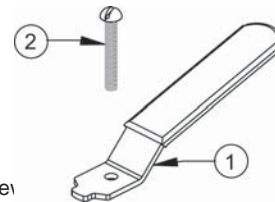


- 30096 Wheel Handle-Metal
- 30002 Handle Screw

### RK-14/17LH

LEVER HANDLE

**\$7.45**

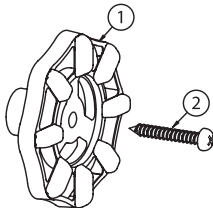


- 30465 Lever Handle
- 30466 Lever Handle Screw

### RK-25/27H

MODEL 25 & 27  
WHEEL HANDLE

**\$3.05**

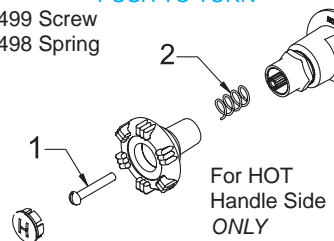


- 30239 Wheel Handle
- 30234 Handle Screw

### RK-PT

MODEL 22  
PUSH TO TURN

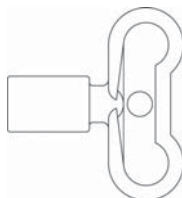
**\$1.75**



- 30499 Screw
- 30498 Spring

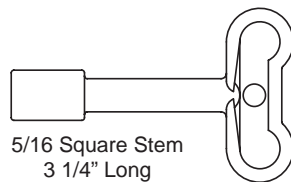
For HOT  
Handle Side  
ONLY

### RK-STK SHORT TEE KEY **\$1.80**



5/16 Square Stem  
1 3/4" Long

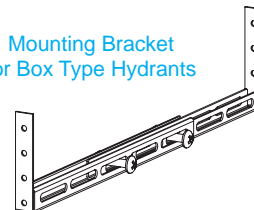
### RK-LTK LONG TEE KEY **\$3.00**



5/16 Square Stem  
3 1/4" Long

### RK-Bracket **\$12.85**

Mounting Bracket  
for Box Type Hydrants

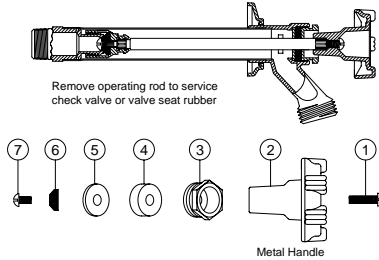


## RK-14MH

MODEL 14/18  
METAL HANDLE

**\$11.80**

- 30002 Handle Screw
- 30096 Wheel Handle (Metal)
- 30059 Packing Nut
- 30560 EPDM Packing
- 30006 Packing Support Washer
- 30008 Valve Seat Rubber
- 30009 Retainer Screw

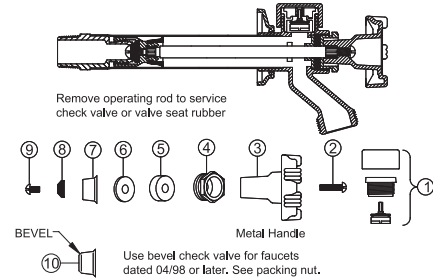


## RK-17MH

MODEL 17  
METAL HANDLE

**\$16.55**

- 35301 VB Float Kit
- 30002 Handle Screw
- 30096 Handle (Metal)
- 30059 Packing Nut
- 30560 EPDM Packing
- 30421 Packing Washer
- 30418 Check Valve
- 30008 Valve Seat Rubber
- 30009 Retainer Screw
- 30459 Bevel Check Valve

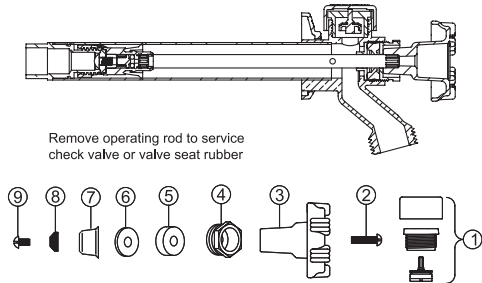


## RK-19

MODEL 19

**\$16.55**

- 35401 V.B. Float Kit
- 30002 Handle Screw
- 30559 Oval Wheel Handle (Powder Coated Die Cast Alum.)
- 30059 Packing Nut
- 30560 EPDM Packing
- 30421 Packing Support Washer
- 30459 Check Valve
- 30008 Valve Seat Rubber
- 30804 Retainer Screw

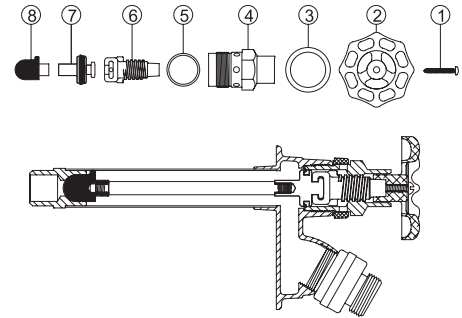


## RK-25

MODEL 20/25/27

**\$28.35**

- 30234 Handle Screw
- 30239 Wheel Handle
- 30236 Drain Guard
- 30241 Head Nut
- 30245 Headnut Gasket
- 30238 Stem Screw
- 35280 Drain Valve Assy.
- 30230 Plunger Assy.

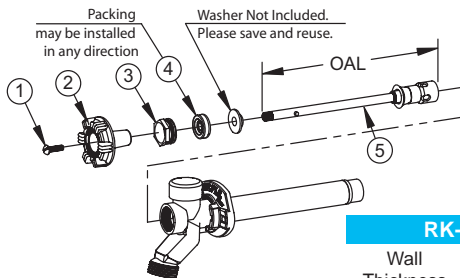


## RK-PRV

PRESSURE RELIEF VALVE  
UPGRADE KIT

See Price  
Chart

- 30002 Handle Screw
- 30096 Round Metal Handle
- 30059 Packing Nut
- 30560 EPDM Packing
- Valve Stem Assembly (See Chart)



RK-PRV*		
Wall Thickness	Overall Length	Price
4	5 7/8"	21.55
6	7 7/8"	22.35
8	9 7/8"	23.15
10	11 7/8"	23.95
12	13 7/8"	24.75
14	15 7/8"	25.55
16	17 7/8"	26.35
18	19 7/8"	27.15
20	21 7/8"	27.95
22	23 7/8"	28.75
24	25 7/8"	29.55

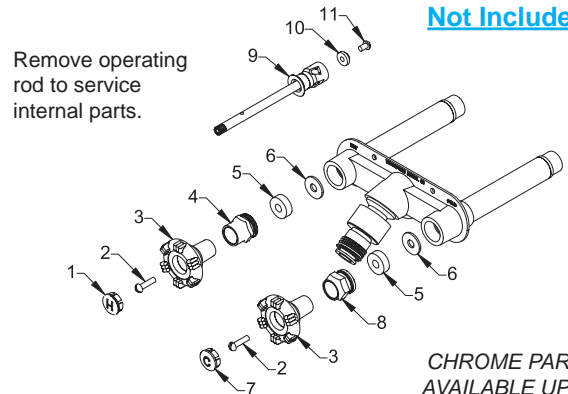
\* Insert wall thickness.  
Example for 10" wall thickness:  
RK-PRV-10

## RK-22MH

MODEL 22/V/22 HOT AND COLD  
METAL HANDLE

**\$22.85**

- 30463 Hot Plug Button
- 30002 Handle Screw (2)
- 30096 Metal Wheel Handle (2)
- 30497 Deep Packing Nut
- 30560 EPDM Packing (2)
- 30006 Packing Washer (2)
- 30462 Cold Plug Button
- 30059 Packing Nut
- 30459 Check Valve (2)
- 30008 Valve Seat Washer (2)
- 30009 Retainer Screw (2)



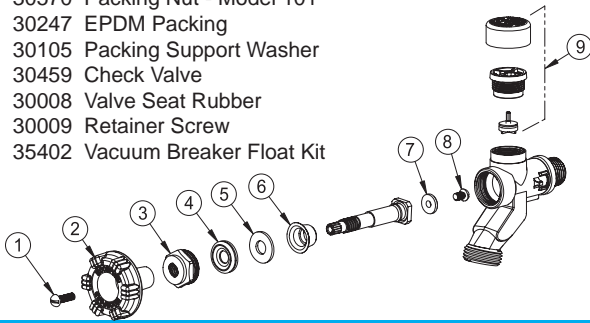
CHROME PARTS  
AVAILABLE UPON  
REQUEST AT  
ADDITIONAL CHARGE.

## RK-101

MODEL 101

**\$11.65**

1. 30002 Handle Screw
2. 30096 Wheel Handle (Metal)
3. 30570 Packing Nut - Model 101
4. 30247 EPDM Packing
5. 30105 Packing Support Washer
6. 30459 Check Valve
7. 30008 Valve Seat Rubber
8. 30009 Retainer Screw
9. 35402 Vacuum Breaker Float Kit

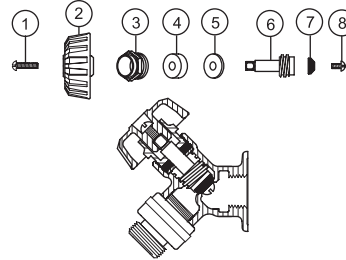


## RK-24

MODEL 21/24/B24/26/B26/Y24/  
Y26 CHROME

**\$8.55**

1. 30121 Handle Screw
2. 30120 Wheel Handle
3. 30109 Packing Nut
4. 30247 EPDM Packing
5. 30105 Packing Washer
6. 30104 Operating Screw
7. 30008 Washer
8. 30009 Retainer Screw

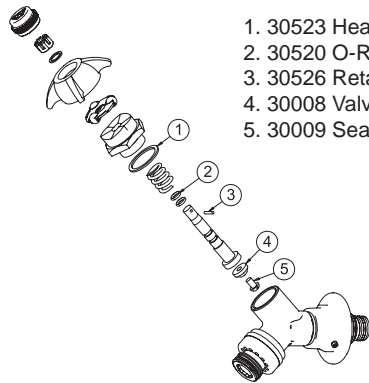


## RK-40SC

MODEL 40SC SELF CLOSE

**\$3.05**

1. 30523 Head Nut Gasket
2. 30520 O-Ring (2)
3. 30526 Retaining Pin
4. 30008 Valve Seat Rubber
5. 30009 Seat Rubber Screw

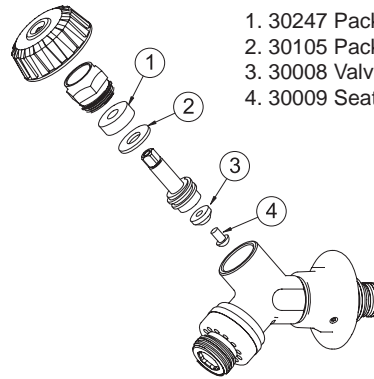


## RK-40HT

MODEL 40HT HALF TURN

**\$3.55**

1. 30247 Packing
2. 30105 Packing Washer
3. 30008 Valve Seat Washer
4. 30009 Seat Rubber Screw



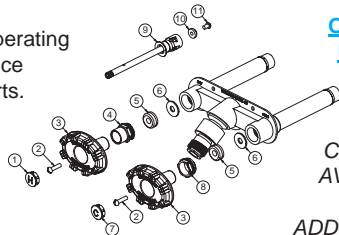
## RK-29

MODEL 29 HOT AND COLD

**\$23.90**

1. 30566 Hot Plug Button
2. 30002 Handle Screw (2)
3. 30559 Oval Wheel Handle (2)  
(Powder Coated Die Cast Alum.)
4. 30497 Deep Packing Nut
5. 30560 EPDM Packing (2)
6. 30006 Packing Washer (2)
7. 30565 Cold Plug Button
8. 30059 Packing Nut
9. 30459 Check Valve (2)
10. 30008 Valve Seat Washer (2)
11. 30804 Retainer Screw (2)

Remove operating rod to service internal parts.



**Operating Rod  
Not Included**

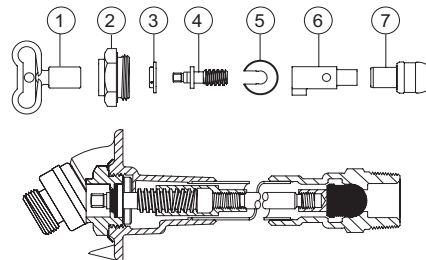
CHROME PARTS  
AVAILABLE UPON  
REQUEST AT  
ADDITIONAL CHARGE.

## RK-65

MODEL 60/65/67  
CHROME

**\$37.90**

1. RK-STK Tee key
2. 50264 Head Nut
3. 50252 Stem Washer
4. 55062 Stem Screw
5. 50251 "C" Washer
6. 51014 Yoke Nut
7. 50250 Plunger

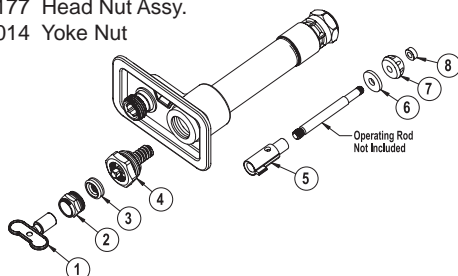


## RK-70

MODEL 70  
WALL HYDRANT-CHROME

**\$34.15**

1. RK-STK Tee key
2. 30109 Packing Nut
3. 30247 Packing
4. 55177 Head Nut Assy.
5. 51014 Yoke Nut
6. 50027 Support Washer
7. 51013 Ball Valve Rubber
8. 50028 Round Brass Nut



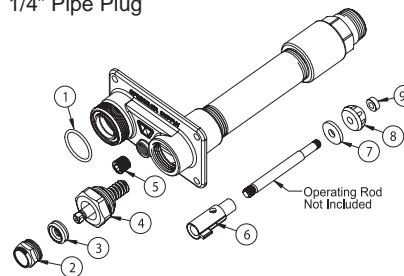
Operating Rod  
Not Included

## RK-32

MODEL 32  
SPRINKLER SUPPLY

**\$37.15**

1. 50611 AS-124 O-ring
2. 30107 Packing Nut-brass
3. 30247 EPDM Packing
4. 55176 Head Nut Assembly
5. 50035 1/4" Pipe Plug
6. 51014 Yoke Nut
7. 50027 Plain Washer
8. 51013 Ball Valve Rubber
9. 50028 Round Brass Nut



Operating Rod  
Not Included

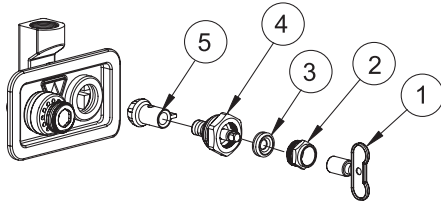


# Repair Kit List Prices



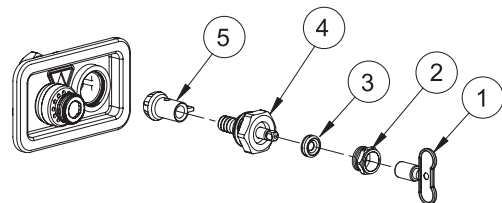
## RK-75 MODEL 75/B75/79/B79 CLOSE COUPLED WALL HYDRANT CHROME \$35.10

1. RK-STK Tee key
2. 30109 Packing Nut
3. 30247 Packing
4. 55183 Head Nut Assy.
5. 55105 Yoke Nut/Valve Assy.



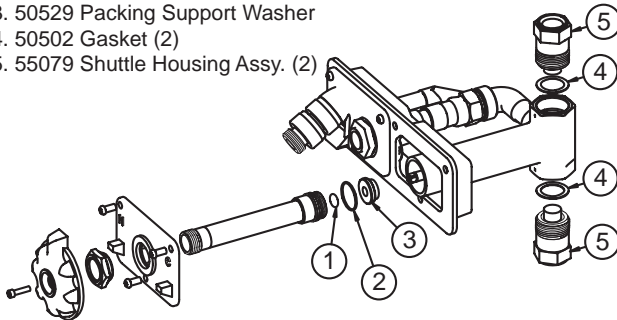
## RK-71 MODEL 71/74/76/81/84 B71/B74/B76/B81/B84/B86 CLOSE COUPLED WALL HYDRANT CHROME \$35.10

1. RK-STK Tee key
2. 30109 Packing Nut
3. 30247 Packing
4. 55177 Head Nut Assy.
5. 55105 Yoke Nut/Valve Assy.

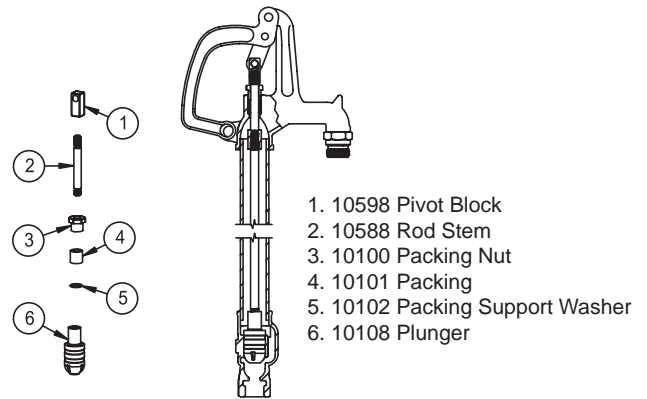


## RK-HC MODEL HC/HCB HOT & COLD WALL HYDRANT \$71.15

1. 51092 O-Ring AS-110
2. 51093 O-Ring AS-023
3. 50529 Packing Support Washer
4. 50502 Gasket (2)
5. 55079 Shuttle Housing Assy. (2)

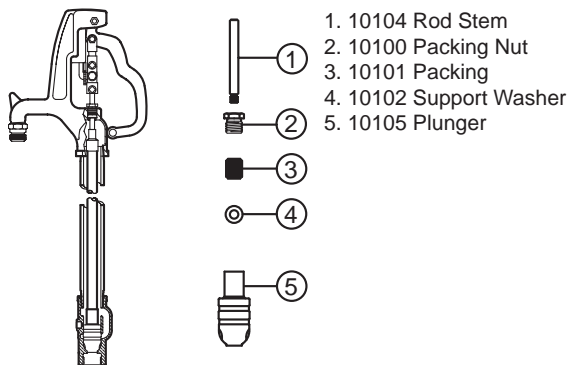


## RK-R34 R34 YARD HYDRANT \$13.90



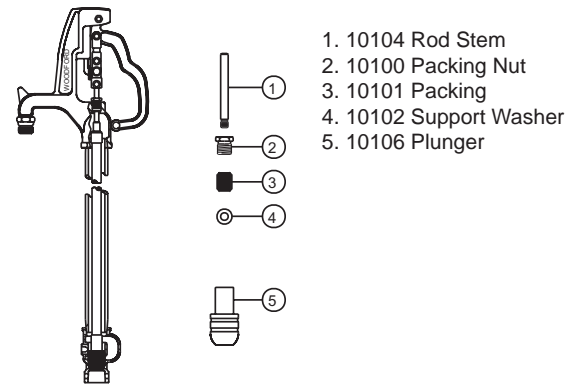
1. 10598 Pivot Block
2. 10588 Rod Stem
3. 10100 Packing Nut
4. 10101 Packing
5. 10102 Packing Support Washer
6. 10108 Plunger

## RK-Y34 MODEL Y34 YARD HYDRANT \$14.70



1. 10104 Rod Stem
2. 10100 Packing Nut
3. 10101 Packing
4. 10102 Support Washer
5. 10105 Plunger

## RK-Y1 MODEL Y1 YARD HYDRANT \$16.20



1. 10104 Rod Stem
2. 10100 Packing Nut
3. 10101 Packing
4. 10102 Support Washer
5. 10106 Plunger

## RK-YHL MODEL Y1/Y2/Y34 YARD HYDRANT LINKS \$17.55

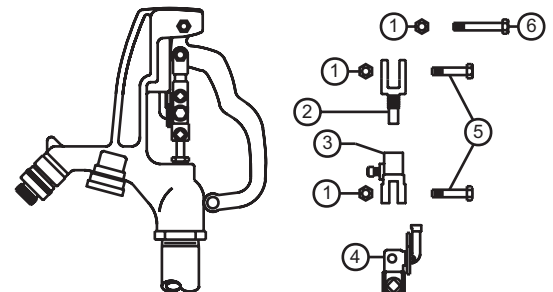
1. 10206 Hex Nut (3)
2. 10009 Upper Link (orange)
3. 15007 Lower Link Assy. (orange)
4. 15008 Cam & Clevis Assy. (orange)
5. 10020 Link Bolt (2)
6. 10021 Lever Bolt

## RK-SHL MODEL S3 SANITARY YARD HYDRANT LINKS \$17.55

1. 10206 Hex Nut (3)
2. 10444 Upper Link (blue)
3. 15211 Lower Link Assy. (blue)
4. 15241 Cam & Clevis Assy. (blue)
5. 10020 Link Bolt (2)
6. 10021 Lever Bolt

## RK-RHL MODEL RHY1/RHY2 ROOF HYDRANT LINKS \$17.55

1. 10206 Hex Nut (3)
2. 10614 Upper Link (gray)
3. 15242 Lower Link Assy. (gray)
4. 15243 Cam & Clevis Assy. (gray)
5. 10020 Link Bolt (2)
6. 10021 Lever Bolt







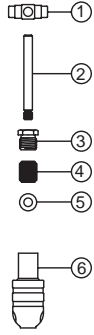
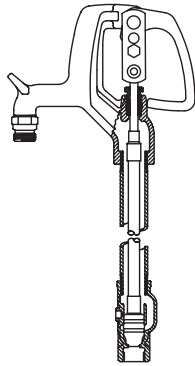
# Repair Kit List Prices



**RK-W34**

W34 YARD HYDRANT

**\$20.20**

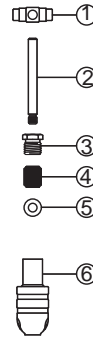
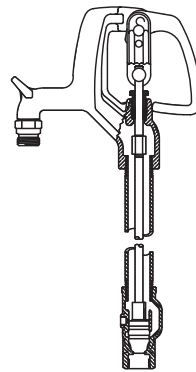


1. 15050 Pivot Assembly
2. 10104 Rod Stem
3. 10100 Packing Nut
4. 10101 Packing
5. 10102 Support Washer
6. 10105 Plunger

**RK-X34**

X34 YARD HYDRANT

**\$20.20**



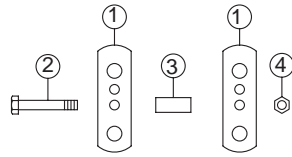
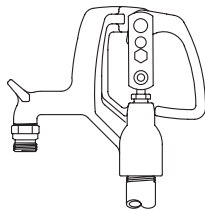
1. 15050 Pivot Assembly
2. 10104 Rod Stem
3. 10100 Packing Nut
4. 10101 Packing
5. 10102 Support Washer
6. 10108 Plunger

**RK-WXL**

MODEL W34/X34  
STEEL LINK

**\$10.45**

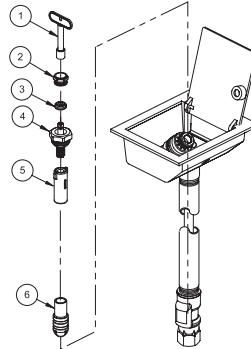
1. 10144 Link (2)
2. 10157 Link Bolt
3. 10146 Link Spacer
4. 10206 Link Bolt Nut



**RK-Y95**

MODEL Y70/Y95  
BOX TYPE YARD HYDRANT

**\$40.55**

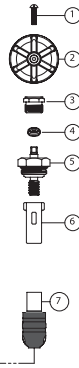
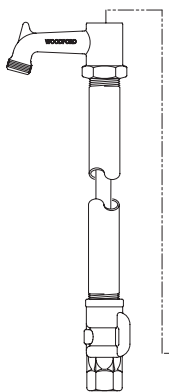


1. RK-LTK Long Tee Key
2. 30107 Packing Nut
3. 30247 Packing
4. 55176 Head Nut Assy.
5. 10109 Yoke Nut
6. 10105 Plunger

**RK-Y30**

MODEL Y30  
POST TYPE YARD HYDRANT

**\$56.00**

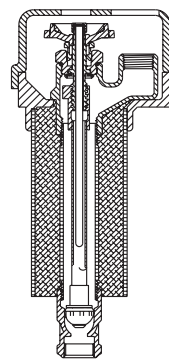
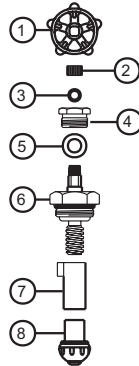


1. 30002 Handle Screw
2. 50023 Wheel Handle
3. 30107 Packing Nut
4. 30247 Packing
5. 55178 Head Nut Assy.
6. 10109 Yoke Nut
7. 10105 Plunger

**RK-THERM**

THERMALINE  
HEATED, INSULATED  
SANITARY YARD HYDRANT

**\$34.20**

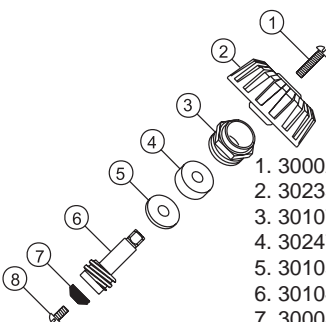
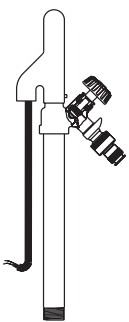


1. 80013 Handle
2. 80062 Thumb Nut
3. 80063 Washer
4. 80005 Packing Nut
5. 80008 Packing
6. 85063 Head Nut Assy.
7. 80066 Yoke Nut
8. 85015 Valve Assembly

**RK-H34**

MODEL H34  
HEATED, BACKFLOW PROTECTED  
SANITARY YARD HYDRANT

**\$16.20**



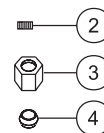
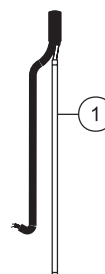
1. 30002 Handle Screw
2. 30233 Wheel Handle
3. 30107 Packing Nut Assy.
4. 30247 Packing
5. 30105 Packing Washer
6. 30104 Operating Stem
7. 30008 Washer
8. 30009 Washer Screw

**RK-HTR**

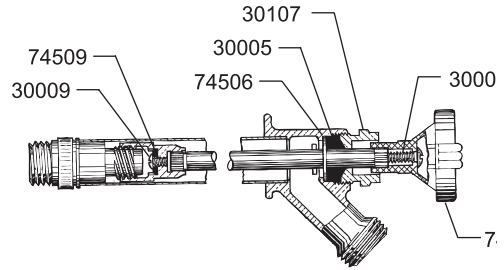
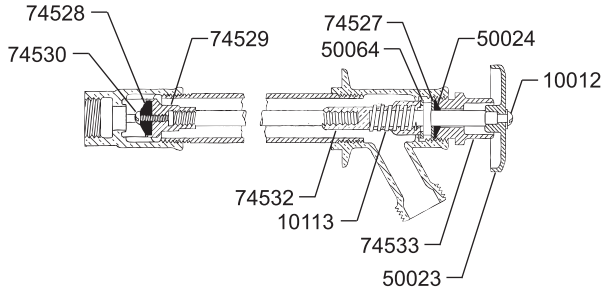
H34 HEATER ASSEMBLY

**\$122.15**

1. 10543 Heater Assembly
2. 10546 Set Screw (2)
3. 10544 Compression Nut
4. 10545 Compression Sleeve







MODEL 10		
PART #	DESCRIPTION	PRICE
10112	Handle Screw	0.55
10113	Stem Screw	26.55
50023	Wheel Handle	1.70
50024	Packing	1.70
50064	Support Washer	1.20
74527	Packing Support Washer	0.70
74528	Valve Seat Rubber	0.40
74529	Retainer	13.05
74530	Retainer Screw	0.55
74532	Yoke Nut	5.90
74533	Packing Nut	3.05
74541	Valve Stem Assy. 4" WT-6 3/4 OAL	20.10
74542	Valve Stem Assy. 6" WT-8 3/4 OAL	20.50
74543	Valve Stem Assy. 8" WT-10 3/4 OAL	20.90
74544	Valve Stem Assy. 10" WT-12 3/4 OAL	21.25
74545	Valve Stem Assy. 12" WT-14 3/4 OAL	21.65
74546	Valve Stem Assy. 14" WT-16 3/4 OAL	20.00
74547	Valve Stem Assy. 18" WT-20 3/4 OAL	24.05
74548	Valve Stem Assy. 24" WT-26 3/4 OAL	28.35

MODEL 12		
PART #	DESCRIPTION	PRICE
30002	Handle Screw	0.35
30005	Packing	1.80
30009	Retaining Screw	0.30
30107	Packing Nut, Brass	3.65
74506	Packing Support Washer	0.50
74509	Valve Seat Rubber	1.20
74513	Wheel Handle	9.00
74517	Rod Assembly 6" WT - 8 1/8 OAL	16.80
74518	Rod Assembly 8" WT - 10 1/8 OAL	17.55
74519	Rod Assembly 10" WT - 12 1/8 OAL	18.30
74520	Rod Assembly 12" WT - 14 1/8 OAL	20.00
74521	Rod Assembly 14" WT - 16 1/8 OAL	21.65
74522	Rod Assembly 18" WT - 20 1/8 OAL	23.25
74531	Rod Assembly 24" WT - 26 1/8 OAL	27.80

WT = Wall Thickness, OAL = Overall Length

WT = Wall Thickness, OAL = Overall Length



To repair Model 7 & 8, order Repair Kit RK-70 on page 18.



MODEL 7		
PART #	DESCRIPTION	PRICE
50070	Head (Chrome)	24.30
50072	Head (brass)	24.30

MODEL 8		
PART #	DESCRIPTION	PRICE
50078	Head (Chrome)	26.70
50079	Head (brass)	26.70

## MODELS 77 & 78

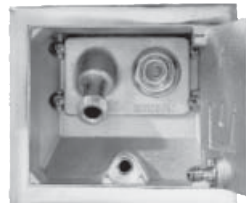
All parts available except deep box castings - Parts same as Y70 Hydrant or Model 70 and 80.



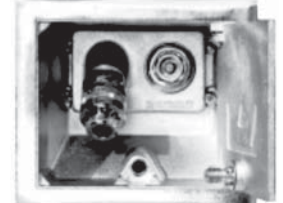
**Model 80**  
Woodford Freezeless



**Model 85**  
Woodford Freezeless  
Anti-Contamination  
34HW Vacuum Breaker  
(55180 Nozzle Required)



**Model 90**  
Woodford Freezeless



**Model 95**  
Woodford Freezeless  
Anti-Contamination  
34HW Vacuum Breaker  
(55180 Nozzle Required)

# Individual Parts

PART #	DESCRIPTION	WHERE USED	PRICE
10004	Hose Nozzle, ¾"	Y34, Y1, W34, X34, R34	4.40
10007	Hose Nozzle, 1"	Y34, Y1, W34, X34, R34	17.10
10008	Lever	Y34, Y1, Y2	11.45
10009	Link, Upper	Y34, Y1, Y2	4.65
10011	Coupling	Y34, Y1, Y2, W34	4.60
10018	Valve Body	W34, X34, Y30, Y34, Y70, Y95	21.70
10020	Bolt	Y34, Y1, Y2	1.00
10021	Bolt	Y34, Y1, Y2	1.00
10100	Packing Nut	Y34, Y1, Y2, W34	2.45
10101	Packing	Y34, Y1, Y2, W34	0.80
10102	Washer	Y34, Y1, Y2, W34	0.80
10103	Rod Stem	Y34, Y1	2.30
10104	Rod Stem	Y34, Y1, Y2, W34	1.60
10105	Plunger	Y30, Y34, Y70, Y95, W34	7.30
10106	Plunger	Y1, Y2	9.15
10107	Plunger, 7/16-20 Thread	X34 - Yellow Head	6.25
10108	Plunger, 3/8-16 Thread	X34 - blue head, R34	6.75
10109	Yoke Nut	Y30, Y70, Y95	9.05
10206	Hex Nut	Y34, Y1, W34, X34	0.85
15001	Head Assembly	Y1	77.50
15002	Head & Nozzle	Y1	50.20
15003	Head Assembly	Y34	71.35
15004	Head & Nozzle	Y34	43.25
15007	Link, Lower	Y34, Y1	3.95
15008	Cam Assembly	Y34, Y1	7.80
15009	Clevis	Y34, Y1	5.50
15039	Head Assy., Complete	W34	51.55
15050	Pivot Assembly	W34, X34	5.05
15220	Diverter	S3, S4H	19.30
30002	Handle Screw, Br.	14,17,24/26 Series Y30	0.35
30006	Packing Washer	14, 22, V22	0.85
30008	Valve Rubber	14, 17, 19, 22, V22, 24/26 Series	0.50
30009	Screw	14, 17, 19, 22, V22, 24/26 Series	0.30
30059	Nut, Br	14, 17	2.05
30096	Wheel Handle-metal	14, 17	1.60
30099	Wheel Handle	14,17	1.20
30104	Stem	24/26 Series	5.20
30105	Washer	24/26 Series	1.15
30107	Packing Nut, Brass	24/26, WH, Y30 Series	3.65
30109	Packing Nut, Chrome	24/26, WH Series	5.30
30120	Wheel Handle, Clear	24/26 Series	1.30
30121	Screw, Nickel	24/26 Series, HC67, Y30	1.00
30230	Plunger Assembly	20, 25, 27	3.10
30233	Wheel Handle, Tan	24/26 Series	1.05
30234	Handle Screw	20, 25, 27	0.70
30236	Drain Guard	20, 25, 27	0.30
30238	Stem Screw	20, 25, 27	1.55
30239	Wheel Handle, Metal	20, 25, 27	1.80
30241	Head Nut, Br	20, 25, 27	14.10
30245	Head Nut Gasket	25	0.95
30247	Packing	24/26 Series, B24	1.20
30304	Operating Rod 4"	20, 25, 27	1.35
30306	Operating Rod 6"	20, 25, 27	1.90
30308	Operating Rod 8"	20, 25, 26	2.45
30310	Operating Rod 10"	20, 25, 26	3.10
30312	Operating Rod 12"	20, 25, 26	3.60
30421	Packing Washer	17	1.20
30462	C - Plug Button-small	22, V22	0.65
30463	H - Plug Button-small	22, V22	0.65
30559	Oval Handle	19	2.50
30560	Epdm Packing	14, 17, 19, 22, V22	1.70
30565	C - Plug Button-large	29	0.65
30566	H - Plug Button-large	29	0.65
35280	Drain Valve Assembly	20, 25, 27	2.85

PART #	DESCRIPTION	WHERE USED	PRICE
35301	Vac. Bkr. Float Kit	17	1.05
35401	Vac. Bkr. Float Kit	19	1.05
35504	Repl. Assy. 4" Wall	20, 25, 27	29.55
35506	Repl. Assy. 6" Wall	20, 25, 27	30.00
35508	Repl. Assy. 8" Wall	20, 25, 27	30.70
35510	Repl. Assy. 10" Wall	20, 25, 27	31.20
35512	Repl. Assy. 12" Wall	20, 25, 27	31.70
35720	Rod Assy. 4" Wall	6" OAL w/ check valve	7.10
35721	Rod Assy. 6" Wall	8" OAL w/ check valve	7.60
35722	Rod Assy. 8" Wall	10" OAL w/ check valve	8.25
35723	Rod Assy. 10" Wall	12" OAL w/ check valve	8.80
35724	Rod Assy. 12" Wall	14" OAL w/ check valve	9.30
35725	Rod Assy. 14" Wall	16" OAL w/ check valve	9.90
50012	Tee Key	14, 17, 19, 22, V22	1.80
50023	Wheel Handle	Y30	1.70
50024	Packing	All WH, Y70, Y95, Y30	1.70
50027	Washer	32, 70	2.40
50028	Nut	32, 70	0.35
50040	Door Hinge Pin	All Wall Hydrant Boxes	0.90
50250	Plunger	All Auto Drain Hydrants	6.00
50251	"C" Washer	All Auto Drain Hydrants	2.15
50252	Stem Washer	All Auto Drain Hydrants	0.95
50264	Head Nut, Chrome	All Auto Drain Hydrants	9.65
50502	Gasket (2 Req)	HC Series	2.10
51013	Valve Rubber	70, 72	1.60
51014	Yoke Nut	All Freezeless WH	6.65
51117	Door Lock Screw Ch	All Wall Hydrant Boxes	6.90
51120	Door Lock Screw E-Ring	All Wall Hydrant Boxes	1.45
55062	Stem Screw	All Auto Drain Hydrants	11.95
55079	Shuttle Housing Assy.	HC Series	24.75
55105	Yoke Nut Assembly	All Non-Freeze Area WH	8.35
55176	Head Nut Assy., Br	All WH, Y70, Y95	18.85
55177	Head Nut Assy., Ch	All WH, Y70, Y95	22.60
55178	Head Nut Assy., Br	Y30	12.05
55182	Head Nut Assy., Br	75, B75, 79, B79	18.90
55183	Head Nut Assy., Ch	75, B75, 79, B79	19.60
55404	Operating Rod Assy.	Auto. Drain (6 5/16 OAL)	21.10
55406	Operating Rod Assy.	Auto. Drain (8 5/16 OAL)	21.55
55408	Operating Rod Assy.	Auto. Drain (10 5/16 OAL)	21.90
55410	Operating Rod Assy.	Auto. Drain (12 5/16 OAL)	22.65
55412	Operating Rod Assy.	Auto. Drain (14 5/16 OAL)	23.30
55434	Hose Nozzle Br	20, 22, V22, 60	6.10
55435	Nozzle W/o-ring, Brass	21, 70, Y70	4.35
55437	Nozzle W/o-ring, Ch.	70, 71, B71, 81	5.25
80005	Packing Nut	Thermaline	3.20
80008	Packing Ring	Thermaline	1.85
80013	Handle, Brass	Thermaline	9.45
80055	Cover, Woodford	Thermaline	3.10
80056	Cover, Thermaline	Thermaline	3.10
80061	Heater Cover	Thermaline	0.75
80062	Heater Well Thumb Nut	Thermaline	1.90
80063	Heater Well Washer	Thermaline	0.60
80066	Yoke Nut	Thermaline	5.45
80068	Wing Nut	Thermaline	0.70
80073	Carriage Bolt	Thermaline	0.85
85001	Heater Well Assy., 1'	Thermaline	7.50
85002	Heater Well Assy., 2'	Thermaline	7.80
85015	Valve Assembly	Thermaline	5.35
85061	Heater, 1'	Thermaline	32.35
85062	Heater, 2'	Thermaline	32.35
85063	Head Nut Assembly	Thermaline	24.60



# TABLE OF CONTENTS



	Page
RHY1 & RHY2 Roof Hydrants .....	2
Model 16, 19 & 29 .....	3
<b>Residential Wall Faucets:</b>	
Inlet Descriptions & Rough-In Dimensions .....	4
Model 14, 17, 22, V22, 25, 27, 32 .....	5
<b>Commercial Wall Hydrants:</b>	
Inlet Descriptions & Rough-In Dimensions .....	6
Model 65/67, B65/B67, RB65/RB67, 70 .....	7
Hot & Cold: HC67/HCB67/C22/B22 And Rough-In Dimensions.....	8
<b>Mild Climate Series:</b>	
101, 14CC, 17CC, 22CC, 27CC And Rough-In Dimensions.....	9
24, 26, B24, B26; 74 thru 86 Rough-In Dims .....	10
74, 75, 76, 84, 86, B74-B79, RB74-RB79 .....	11
40 Series; C22CC, B22CC .....	12

## Yard Hydrants:

	Page
R34, W34, X34, Y1, Y2, Y30, Y34, Y95, S3, S4, H34, Thermaline .....	13
Yard Hydrant Inlets & Rough-In Dims .....	14
Utility Hydrants & Inlets & Rough-In Dims .....	15
Vacuum Breakers & Backflow Preventers .....	16
Packaged Repair Kits .....	16-20
Obsolete Products .....	21
Individual Parts .....	22
Terms & Conditions Of Sale.....	23
Sales Representatives .....	24

## Manufactured under one or more of the following patents and patents pending:

U.S. Patents: 1,246,423; 3,208,715; 3,278,201; 3,414,001; 4,178,956; 4,316,481; 4,532,954; 5,246,028; 5,701,925; 5,813,428; 5,590,679; 5,632,303; 6,135,359; 6,142,172; 6,206,039 B1; 6,431,204; 6,532,986; 6,579,473; 6,769,446; 6,805,154; 6,830,063; 6,857,442; 6,883,534; 6,948,518; D216,790; D216,791; D277,365; D277,366; D470,915  
Canada Patents: 852,529; 865,995; 1,146,438; 1,222,431

## TERMS AND CONDITIONS OF SALE

**Selling Policy** - Possession of our price list or jobber discounts is not an offer to sell. All orders are subject to acceptance by the home office in Colorado Springs, Colorado.

**Minimum Invoice** - No invoice will be rendered for less than \$25.00 list.

**Cash Discount** - 3% 15 days from date of invoice or 2% 10th Prox., Net EOM

**Freight Allowance** - All goods sold F.O.B shipping point. For shipments in the continental United States and Canada, **full freight will be allowed on orders of \$2,000.00 or more list.** No freight allowance on smaller shipments. We reserve the right to ship the most economical way.

**Foreign Shipments** (including **Alaska** and **Hawaii**) will be allowed full freight, according to the conditions listed above, to the embarkation point in the continental United States only.

**Claims, Shortages and Damage** - All claims for shortages or goods damaged in transit must be made within **10 days after receipt of merchandise.** (All claims should be made to Woodford Manufacturing Co. by the consignee.)

**Prices, Designs and Quotation** - Prices, designs and dimensions of products are subject to change without notice. Quotations, unless otherwise stated, are for immediate acceptance and prices quoted are based on the sellers standard tolerances of materials. We reserve the right to invoice all merchandise at prices in effect at the time of shipment.

**Cancellations** - Orders covering special merchandise are not subject to cancellation without our written permission. Purchaser subject to expense incurred by cancellation of special orders.

**Limited Warranty** - All goods are sold with a limited warranty for one year against defects in material and workmanship. We will replace or issue credit (at our option) for defective goods that are returned for inspection and found to be defective within one year of purchase from Woodford.

**Implied warranties** - Implied warranties are limited to one year from date of purchase from Woodford.

**Taxes and Government Regulations** - Sales or manufactures tax imposed under any existing or future statutes shall be added to the price of merchandise effective at the time shipment is made.

**Ordering Procedure** - Purchase order must include the following: Model number, inlet size & type, handle type, wall thickness or depth of bury and type of finish required where applicable.

**Returned Goods** - Standard catalog material may be returned. All returns of resalable new and unused product is subject to a 25% restocking charge, plus the cost of reconditioning, not to exceed an additional 25% (50% total). Credit for used or freight damaged material to be determined by factory upon receipt of material.

*We will not accept returns for:*

1. Any non-defective return under \$25.00 net or product over 18 months old.
2. Special lengths on any product.
3. Obsolete merchandise and product not listed in current price guide.
4. Competitor's product or product abused by installation.
5. Product unless approved by local Woodford representative.

All items claimed defective must be returned prepaid to address shown on back cover:

# CALL YOUR AUTHORIZED WOODFORD REPRESENTATIVE FOR ASSISTANCE

Representatives		East	Phone	Fax
A.R. Burkholder & Assoc.	1440 Hopmeadow Street, Simsbury, CT 06070		860-651-5667	860-651-8725
Barger & Associates	11864 Canon Blvd., Suite 112, Newport News, VA 23606		757-873-4574	757-873-9530
Charondic Assoc.	6 Saratoga Run, Annville, PA 17003		717-838-5372	717-838-0279
Cope-Wardell-Ammon	4009 Market Street, Suite K, Aston, PA 19014		610-485-2828	610-485-7171
Dellon Sales Company	5 Albertson Avenue, Albertson, NY 11507		516-625-2626	516-625-3030
Empire State Assoc.	400 Clifton Corp Pkwy., Suite 410, Clifton Park, NY 12065		518-371-4032	518-371-3882
Fehr & Howard Sales, Inc.	662 N. Main St., Greensburgh, PA 15601		724-838-9394	724-832-8211
Virginia Marketing Assoc.	720 S Atlantic Avenue, Virginia Beach, VA 23451		757-428-2060	757-428-8129
Walter F. Morris Company	77 Green St., Foxboro, MA 02035		508-203-2010	508-203-2020
Representatives		South	Phone	Fax
C.A. Riner Company, Inc.	7620 Hardin Drive, North Little Rock, AR 72117		501-834-1400	501-834-1407
Cotton & Welsh	8399 Dunwoody Place, Building 6, Suite 100, Atlanta, GA 30350		678-397-1752	678-397-1757
ESP Agency, Inc.	5613 Blessey Street, Suite A, Harahan, LA 70123		504-733-0603	504-734-7328
J. L. Brasher Co.	6218 Kensington Garden Court, Charlotte, NC 28277		704-542-2735	704-542-8607
PMI Sales & Marketing	8967 Market St., Houston, TX 77029		713-674-8735	713-672-6000
PMI Sales & Marketing	1769 Shipman, San Antonio, TX 78219		210-223-6975	210-271-9054
ProStar Marketing	1010 Pamela, Euless, TX 76040		817-540-3600	817-540-3608
State of Tennessee	Refer to <a href="http://www.woodfordmfg.com">www.woodfordmfg.com</a> for current address and phone numbers			
Southern Marketing	2092 Brook Highland Ridge, Birmingham, AL 35242		205-995-8181	205-991-6646
Southern Marketing	3013 Woodbridge Drive, Anniston, AL 36207		256-241-2010	256-240-9566
Suncoast Sales LLC	5250 Eagle Trail Drive, Suite B		813-901-8552	813-901-8555
Windham Company	3408 79th Street, Lubbock, TX 79423		806-791-2888	806-791-2999
Representatives		Midwest	Phone	Fax
Allied Systems, Inc.	2200 East Douglas, Des Moines, IA 50313		515-223-6642	515-224-4648
Bennerotte Marketing	14332 21st Ave. North, Suite 200, Plymouth, MN 55447		763-544-8611	763-544-7084
Burke Agency, Inc.	2605-A East Oakley Park Road, Walled Lake, MI 48390		248-669-2800	248-669-3310
Burke Agency, Inc.	8593 Byron Commerce Drive S.W., Byron Center, MI 49315		616-878-7300	616-583-1239
Burton-Anderson & Assoc.	3093 Market Street, Green Bay, WI 54304		920-339-0158	920-339-0159
Burton-Anderson & Assoc.	1803 South 124th Street, New Berlin, WI 53151		262-782-2870	262-782-6441
Disney McLane & Assoc.	428 McGregor Avenue, Cincinnati, OH 45206		513-861-1682	513-487-5337
Gateway Representatives	572 Leffingwell Avenue, St Louis, MO 63122		314-835-1818	314-835-1888
Inland Sales Group, Inc.	8913 North Prairie Pointe, Peoria, IL 61615		309-693-7950	309-693-7955
Libb Co Inc.	7860 N Central Drive, Lewis Center, OH 43035-9406		740-549-1516	740-548-0985
Manufacturers Marketing	17225 Westfield Park Road, Westfield, IN 46074		317-867-5004	317-896-3561
NSC Marketing Group Inc.	8100 North Classen Blvd., Suite 115, Oklahoma City, OK 73114		405-848-3100	405-848-3101
NSC Marketing Group Inc.	4154 South 88th Avenue, Tulsa, OK 74145		918-627-5340	918-664-1408
One Source Mfg. Reps.	650 West Grand Ave., Suite 308, Elmhurst, IL 60126		630-516-3900	630-516-3914
Summit Sales	1803 East 123rd Terrace, Olathe, KS 66061		913-791-9599	913-791-9598
Representatives		West	Phone	Fax
Delco-Hawaii	111 Sand Island Access Rd., Unit I-10, Honolulu, HI 96819		808-842-7900	808-842-9625
Fanning & Associates	6765 Franklin Street, Denver, CO 80229		303-289-4191	303-286-9069
Gleason-Tait Mktng., Inc.	1771 Siesta Drive, Sandy, UT 84093		801-942-3711	801-942-5646
Gleason-Tait Mktng., Inc.	1173 South 425 West #1, Bountiful, UT 84010		801-296-0427	801-296-0394
Hollabaugh Bros. & Assoc.	3028 SE 17th Avenue, Portland, OR 97202		503-238-0313	503-235-2824
Hollabaugh Bros. & Assoc.	6915 South 194th. St., Kent, WA 98032		253-867-5040	253-867-5055
Loving & Associates	2617 Rhode Island NE, Albuquerque, NM 87110		505-299-1122	505-275-1713
RV & Associates, Inc.	3200 Bayshore Road #1, Benicia, CA 94510		707-745-3655	707-745-2059
Renco Sales Inc	1450 Railroad Street, Corona, CA 92882		951-371-8848	951-371-3635
Southwestern Mechanical	1440 West San Pedro Street, Gilbert, AZ 85233		480-813-1313	480-813-2800
Southwestern Mechanical	3191 Builders Ave., Las Vegas, NV 89101		702-368-2561	702-368-1784
Representatives		Canada	Phone	Fax
Hy-Line Sales LTD	Unit 2A 27355 Gloucester Way, Langley, BC V4W 3Z8		604-856-5648	604-856-8684
Preferred Sales & Marketing	234-5149 Country Hills Blvd NW, Calgary, AB, Canada T3A 5K8		403-547-5237	403-547-5238

## WOODFORD MANUFACTURING COMPANY

2121 Waynoka Road, Colorado Springs, CO 80915 USA

Phone (719) 574-1101 Toll Free (800) 621-6032

FAX (719) 574-7621 Toll Free (800) 765-4115

[www.woodfordmfg.com](http://www.woodfordmfg.com)

A Division Of WCM Industries, Inc.