

SPECIFICATIONS

CAPE ANNE™ TWO HANDLE WIDESPREAD LAVATORY FAUCET

Model

D304026

Flow Rate

Description

- Ceramic disc valves
- 6 ¾" high spout, 5 ½" spout length
- Metal lever handles
- 50/50 touch down drain assembly
- 3 hole mount, 6" - 12" installation
- 1.5gpm (5.7L/min) maximum flow rate @60 psi

Standards



NSF/ANSI 372

- NSF/ANSI 372

MEETS ASME A112.18.1M/ A112.18.1

- ASME A112.18.1M/A112.18.1



- ADA Accessibility Guidelines for Buildings and Facilities - 309.4 Operation for Operable Parts

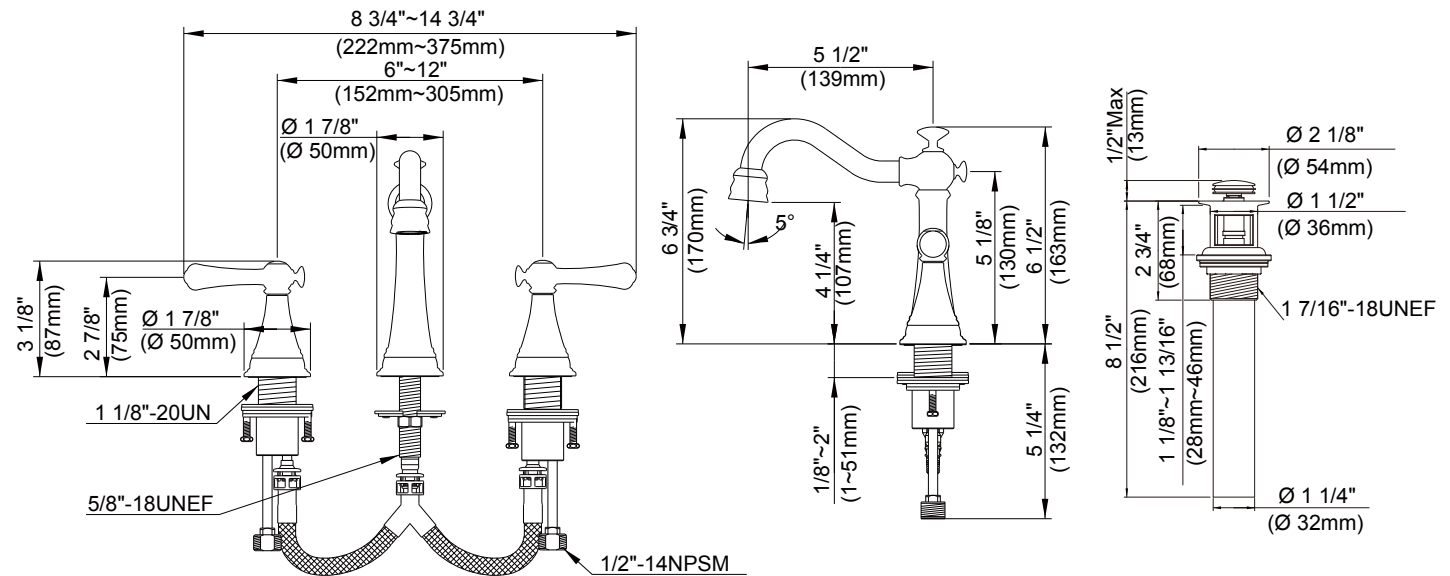


Finishes Available

- Chrome
- Other: Refer to Price List for additional finish

Warranty

Danze products are covered by a manufacturer's limited "lifetime" warranty for manufacturing defects.



Submittal Information:

Job Name: _____
 Contractor: _____

Location: _____
 Contact #: _____