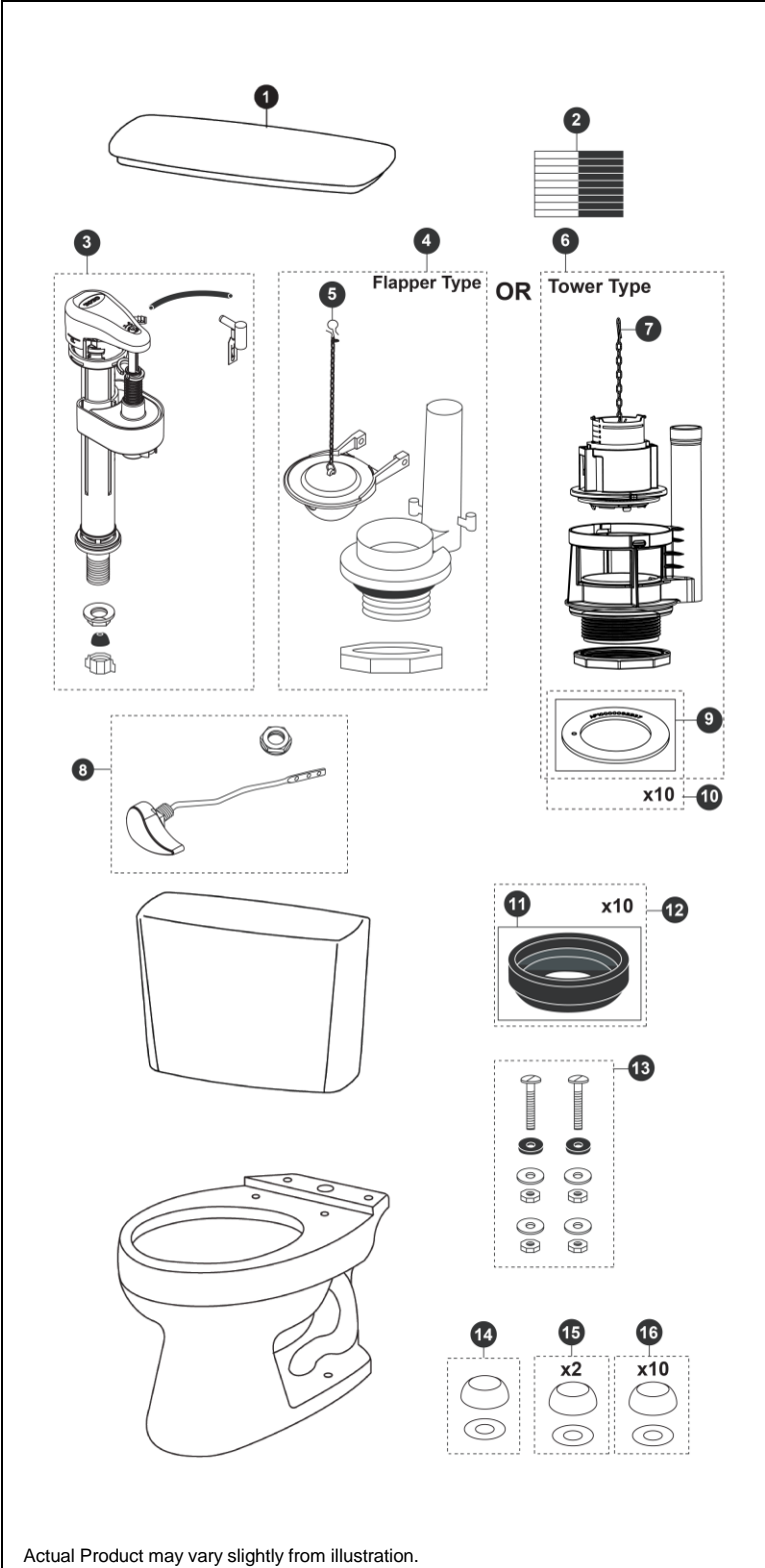


CST743EN & CST743ERN

CST743EN
C743E
ST744E

CST743ERN
C743E
ST744ER

EcoDrake® Transitional 1.28 Gpf Toilet, Round, E-Max®, 12" Rough-In



| Item | Part | Description |
|------|--------------|--|
| 1 | TCU744CRE#01 | Tank Lid w/ Velcro Tape - Cotton |
| | TCU744CRE#03 | Tank Lid w/ Velcro Tape - Bone |
| | TCU744CRE#11 | Tank Lid w/ Velcro Tape - Colonial White |
| | TCU744CRE#12 | Tank Lid w/ Velcro Tape - Sedona Beige |
| | TCU744CRE#51 | Tank Lid w/ Velcro Tape - Ebony |
| 2 | THU107 | Velcro Tape |
| 3 | TSU53A | Fill Valve |
| 4 | THU252P-A | Flush Valve |
| 5 | THU499S | Flapper w/ Chain |
| 6 | THU443.10B-A | Drain Valve for Tower Type |
| 7 | THU440-A | Flush Tower |
| 8 | THU398#01 | Trip Lever - Cotton |
| | THU398#CP | Trip Lever - Chrome Plated |
| | THU398#BN | Trip Lever - Brushed Nickel |
| | THU398#PN | Trip Lever - Polished Nickel |
| | THU399#CP | Trip Lever, Right Hand - Chrome Plated |
| 9 | THU407 | Seal Gasket (1 piece) |
| 10 | THU370 | Seal Gasket (10 pieces) |
| 11 | 9BU024E | 3" Tank to Bowl Gasket |
| 12 | THU131 | Tank to Bowl Gaskets (10 pieces) |
| 13 | TSU01D | Tank Mounting Kit |
| 14 | THU044#01 | Bolt Cap Set - Cotton (1 set) |
| | THU044#03 | Bolt Cap Set - Bone (1 set) |
| | THU044#11 | Bolt Cap Set - Colonial White (1 set) |
| | THU044#12 | Bolt Cap Set - Sedona Beige |
| | THU044#51 | Bolt Cap Set - Ebony |
| 15 | THU044S#01 | Bolt Cap Sets - Cotton (2 pieces) |
| | THU044S#03 | Bolt Cap Sets - Bone (2 pieces) |
| | THU044S#11 | Bolt Cap Sets - Colonial White (2 pieces) |
| | THU044S#12 | Bolt Cap Sets - Sedona Beige (2 pieces) |
| | THU044S#51 | Bolt Cap Sets - Ebony (2 pieces) |
| 16 | THU098#01 | Bolt Cap Sets - Cotton (20 pieces) |
| | THU098#03 | Bolt Cap Sets - Bone (20 pieces) |
| | THU098#11 | Bolt Cap Sets - Colonial White (20 pieces) |
| | THU098#12 | Bolt Cap Sets - Sedona Beige (20 pieces) |
| | THU098#51 | Bolt Cap Sets - Ebony (20 pieces) |

Note:

| Product Number Explanations | | |
|-----------------------------|-----------------------|-------------------|
| Two-Piece Toilet | Tank | Bowl |
| (CST) Gravity Type Toilet | (ST) Tank | (C) Bowl |
| (744) Model # | (744) Model # | (744) Model # |
| (E) E-Max® | (E) E-Max® | (E) E-Max® |
| (L) ADA Compliant | (R) Right Hand Option | (L) ADA Compliant |
| (R) Right Hand Option | (N) Model Letter | |