

SPEAKMAN COMPANY

VS-114 Installation, Operation, & Maintenance Instructions VERSITILE™ 2-WAY SHOWER DIVERTER

DESCRIPTION

VERSITILE™ polished chrome plated brass/plastic 2-way shower diverter. ½"-14 NPT threaded inlet. ½"-14 NPT and NPSM threaded outlets. Swivel brass coupling nut with set screw. 5/64" Allen wrench provided. Handle turns 90° only. Holder turns 45° only. Two (2) operational diverter settings. No flow control inside diverter. Meets ASME A112.18.1 / CSA B125.1 Standards. **NOTE: VS-114 was designed to work with SPEAKMAN® hand showers, it may or may not work with competitor hand showers.**

SPECIFICATIONS

SUPPLY INLET: ½" -14 NPT FEMALE
SUPPLY OUTLETS: ½"-14 NPT & NPSM MALE
FLOW RATE: 2.5 GPM/ 9.46 L/min MAX.
SET SCREW ALLEN WRENCH SIZE: 5/64"
SHIPPING WEIGHT: 1 LB

OPTIONS

- | |
|-------------------------------------|
| ◇ BN: Brushed Nickel Finish |
| ◇ PN: Polished Nickel Finish |

INSTALLATION

Make sure there are flow controls inside both showerhead assemblies if you desire to regulate the flow. No flow control is provided inside the diverter. **1.** Screw the 2-way diverter's brass coupling nut onto the shower arm by turning in a clockwise direction. Make sure the sealing washer is inside the brass coupling nut to prevent leaks. **2.** Hold the diverter body in desired position (**hand held outlet to face away from installer**) while tightening the set screw with the 5/64" Allen wrench. Set screw locks the diverter's body in position. **3.** Screw your fixed showerhead onto the diverter's bottom outlet by turning in a clockwise direction. Use the Teflon tape provided on the threads of the outlet to prevent leaks. **4.** Screw one end of your hand held hose assembly onto the diverter's back outlet by turning in a counterclockwise direction. Use the Teflon tape provided on the threads of the outlet to prevent leaks, especially if sealing washers are not provided with the hose. **NOTE: Vacuum breakers are required in some states when using hand held showerheads. If needed, screw breaker onto the back outlet before screwing the hose onto the breaker to protect against back flow.** **5.** Connect the free end of the hose to your hand held showerhead and place head into holder. ***Please note the lip of the shower hose connector is what rests on top of the diverter holder, not the hand held.** **6.** Turn on water supply and check all connections for leaks.

OPERATION

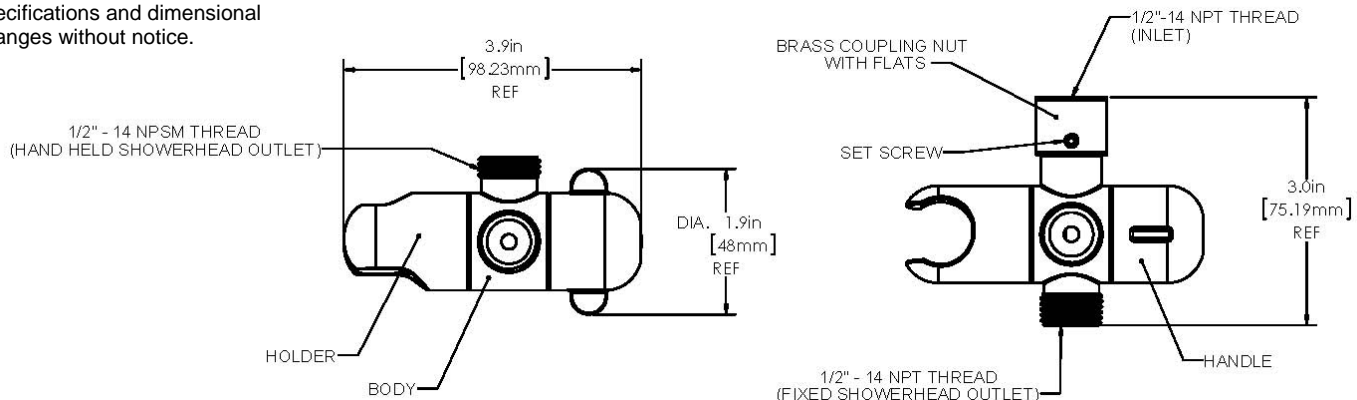
To operate the diverter with water supply on, turn the handle away from you until it stops. At this setting, only the hand held showerhead is operational. With the water supply still on, turn the handle towards you until it stops. At this setting, only the fixed showerhead is operational. Be careful not to overturn the handle. Handle turns 90° only. Also, be careful not to over torque the holder with inserted hand held. Holder turns 45° only.

MAINTENANCE

For All Special Finishes (BN & PN): Periodic use of mild soap and warm water will help keep your showerhead's appearance in its original condition. For best results, dry immediately with a soft, clean cloth.

For Chrome Finishes Only: In certain water conditions, mineral deposits may form. To keep your showerhead like new, we recommend soaking the showerhead in 2 parts white vinegar and 1 part water for one hour or more, depending on the amount of buildup. Rinse thoroughly. Brush off any remaining mineral deposits if necessary.

Project improvements may cause specifications and dimensional changes without notice.



SPEAKMAN®

400 Anchor Mill Rd. New Castle, DE 19720 Phone: 800-537-2107
02/13 Visit us on the web at www.speakmancompany.com

Fax: 800-977-2747
92-VS-114-R1