



a Geberit company

2100 South Clearwater Drive
Des Plaines, IL 60018
Phone: 847-803-5000
Fax: 847-803-5454
www.chicagofaucets.com

FOR TECHNICAL ASSISTANCE
1-800-TEC-TRUE (1-800-832-8783)

REPAIR PARTS

BY: JAR DATE: 05-01-15
CHK: *JAR* REV:

FITTING NO.

EQ-B1-SSPS_SERIES

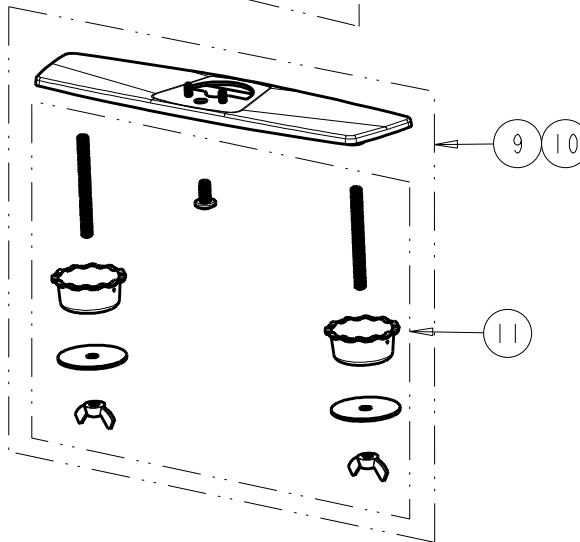
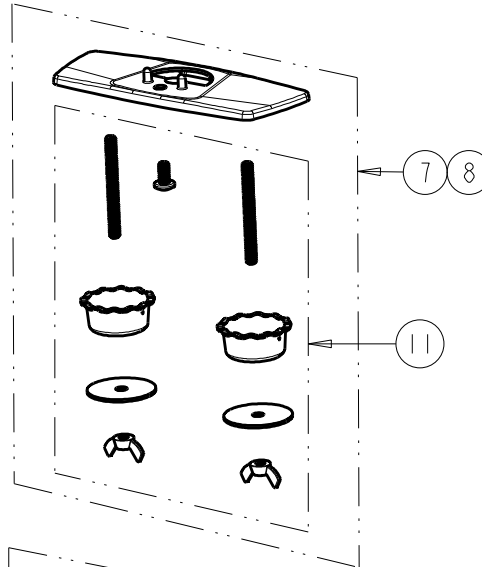
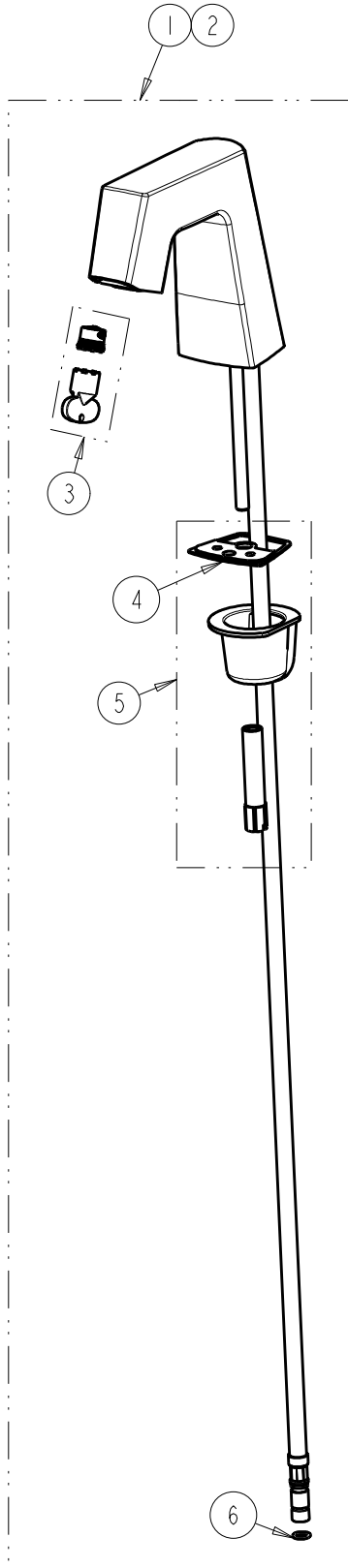
SUBMITTED MODEL NO.

ITEM NO.

FINISH OPTIONS

CP=CHROME PLATE

BN=BRUSHED NICKEL



NOTE:
ITEM 4 INCLUDES DECK GASKET FOR EACH SPOUT DESIGN AND HOSE O-RINGS.

| ITEM | PART NO. | DESCRIPTION |
|------|-----------------|---------------------------------------|
| 1 | EQ-B11B-KJKABCP | KIT, EQ SQUARE SPOUT w/ 1.0 GPM |
| 2 | EQ-B11B-KJKABBN | KIT, EQ SQUARE SPOUT w/ 1.0 GPM |
| 3 | 243.146.AB.1 | KIT, OUTLET FOR EQ 1.0 GPM |
| 4 | 243.150.AB.1 | KIT, SPOUT SEAL EQ SERIES |
| 5 | 243.148.00.1 | KIT, HARDWARE FOR EQ SQUARE SPOUT |
| 6 | ----- | O-RING #011, DRINKING WATER COMPLIANT |
| 7 | EQ-B12-KJKCP | KIT, 4" COVER PLATE - EQ SQUARE |
| 8 | EQ-B12-KJKBN | KIT, 4" COVER PLATE - EQ SQUARE |
| 9 | EQ-B13-KJKCP | KIT, 8" COVER PLATE - EQ SQUARE |
| 10 | EQ-B13-KJKBN | KIT, 8" COVER PLATE - EQ SQUARE |
| 11 | 243.181.00.1 | KIT, HARDWARE FOR EQ COVER PLATES |

CHICAGO FAUCETS

a Geberit company

2100 South Clearwater Drive
Des Plaines, IL 60018
Phone: 847-803-5000
Fax: 847-803-5454
www.chicagofaucets.com

REPAIR PARTS

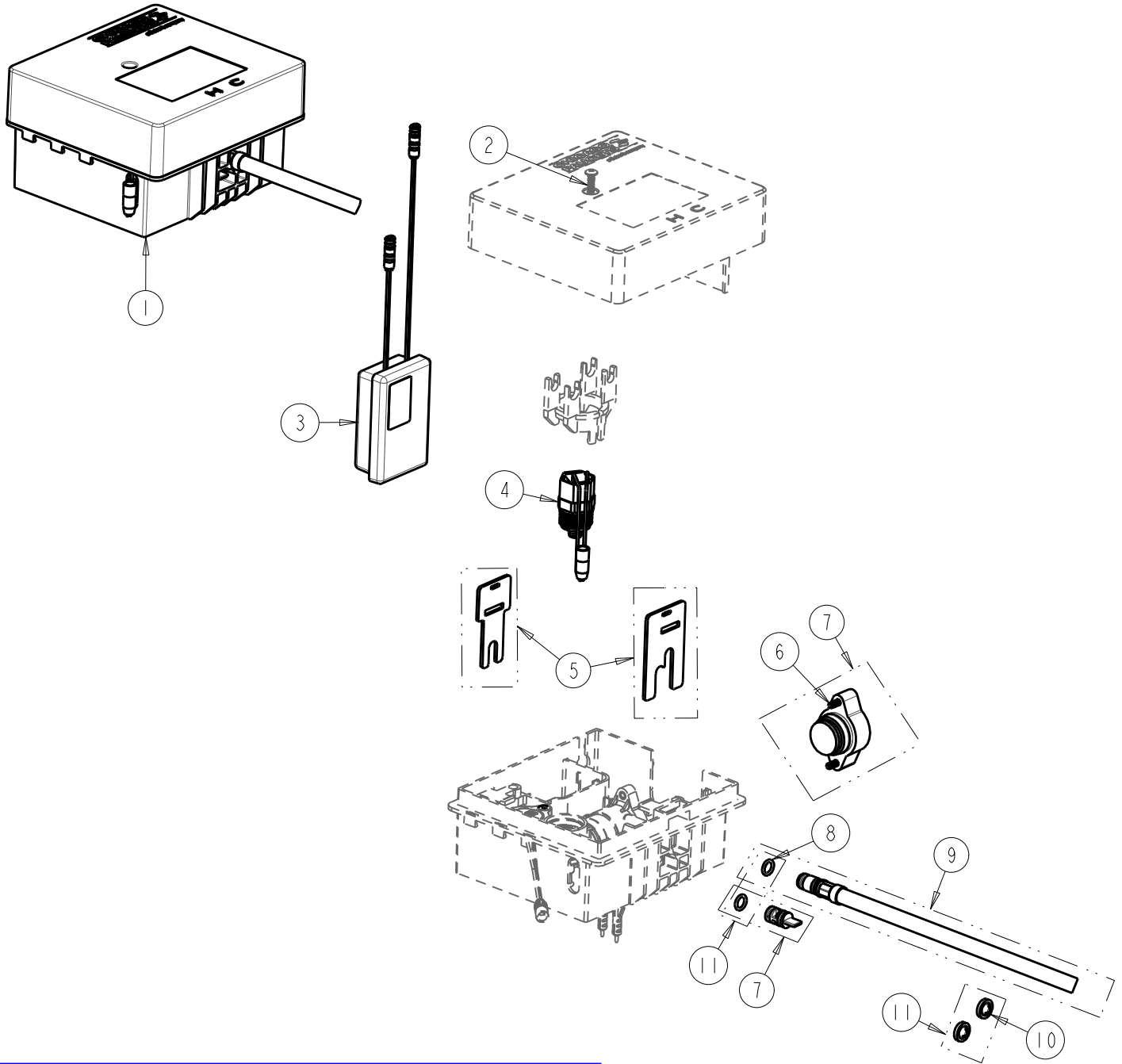
BY: JAR DATE: 12-08-14
CHK: JAR REV:

FITTING NO.
EQ-21KJKABNF

SUBMITTED MODEL NO.

ITEM NO.

FOR TECHNICAL ASSISTANCE
1-800-TEC-TRUE (1-800-832-8783)



| ITEM | PART NO. | DESCRIPTION |
|------|----------------|---------------------------------------|
| 1 | EQ-21KJKABNF | CONTROL BOX ASSY EQ IR SSPS SS NMIX |
| 2 | ----- | SCREW, #8 X 1-1/4" LONG PLASTITE TYPE |
| 3 | 243.154.00.1 | SSPS POWER CELL FOR EQ |
| 4 | 243.152.AB.1 | SOLENOID VALVE, DN5 |
| 5 | 243.158.00.1 | CONTROL BOX HARDWARE KIT FOR EQ |
| 6 | ----- | BONNET HEX SCREW, M4x0.7x16mm |
| 7 | 243.180.AB.1 | REBUILD KIT FOR EQ SS NMIX |
| 8 | ----- | O-RING #011, DRINKING WATER COMPLIANT |
| 9 | 243.157.AB.1 | INLET SUPPLY HOSE FOR EQ |
| 10 | 3300-005JKABNF | FILTER/SCREEN |
| 11 | 243.159.AB.1 | KIT, SEALS AND CHECKS FOR EQ |