

ELKAY® SPECIFICATIONS

Single Bowl Lavatory Sink made with CuVerro® Antimicrobial Copper Models LLVR1916-CU and LLVR1916CS-CU

GENERAL

Highest quality sink bowl formed of #18 (1.2mm) gauge, CuVerro antimicrobial copper that combines beauty and performance. It represents the only class of solid surface material registered with the EPA for its inherent ability to kill infectious bacteria.* Top mount.

DESIGN FEATURES

Bowl Depth: 6" (152mm).

Bowl and Faucet Deck: Embossed faucet deck on back ledge. Finish: Exposed surfaces are hand blended to a lustrous high-lighted satin finish.

Underside: Fully undercoated to dampen sound and prevent condensation.

OTHER

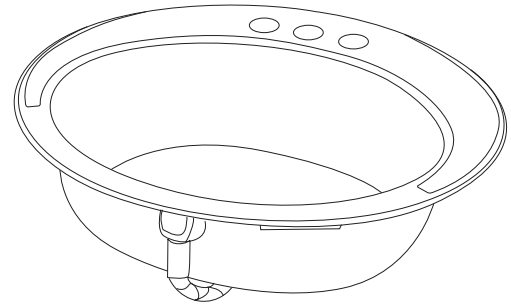
Comes complete with LKF293-CU overflow assembly.

LLVR1916-CU.Faucet holes on 4" (102mm) centers.

LLVR1916CS-CU.Three faucet holes on 2" (51mm) centers.

Drain Opening: 1-1/2" (38mm), 2-1/4" (57mm) O.D. at top of countersink. Arranged for standard lavatory type drain fitting.

NOTE: Unless otherwise specified, sink is furnished with 3 faucet holes as shown.



Model LLVR1916CS-CU3

These sinks comply with IGC-194.



This sink is listed by the International Association of Plumbing and Mechanical Officials as meeting the requirements of the Uniform Plumbing Code.



These sinks are compliant to ADA and ANSI/ICC A117.1 accessibility requirements when installed according to the requirements outlined in these standards.

OPTIONAL ACCESSORIES

Drains: LK174-CU.

*Testing demonstrates effective antibacterial activity against Methicillin-Resistant Staphylococcus aureus, Staphylococcus aureus, Enterobacter aerogenes, Pseudomonas aeruginosa, and E. Coli O157:H7.

Purchaser is aware and informed that the Elkay sink being purchased is made up of a copper-nickel alloy. Some literature reports that some persons may have allergic reactions when exposed to nickel-containing substances. Purchaser should insure that reasonable precautions are taken in this regard. Elkay and purchaser agree that should a claim or litigation arise wherein a person is seeking damages due to an alleged allergic reaction to these substances, that purchaser will indemnify, defend and hold harmless Elkay for any damages and the costs of litigation for any such claim.



SEE OTHER SIDE FOR PRODUCT DIMENSIONS.

In keeping with our policy of continuing product improvement, Elkay reserves the right to change product specifications without notice. Please visit elkayusa.com for most current version of Elkay product specification sheets.

This specification describes an Elkay product with design, quality and functional benefits to the user. When making a comparison of other producers' offerings, be certain these features are not overlooked.

Elkay

www.elkayusa.com

2222 Camden Court
Oak Brook, IL 60523

Printed in U.S.A.
©2012 Elkay

1-459B (rev 9/12)

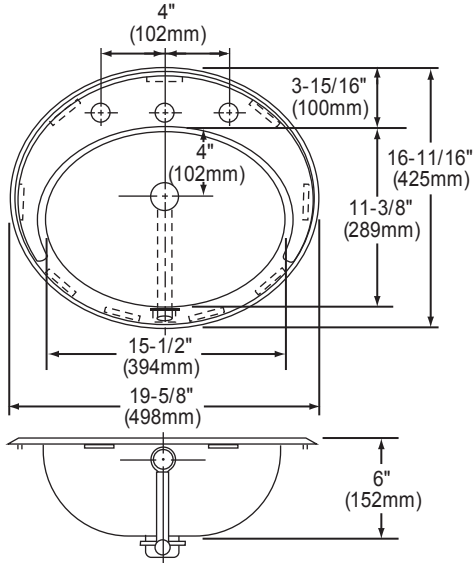
**Single Bowl Lavatory Sink made with
CuVerro® Antimicrobial Copper
Models LLVR1916-CU and LLVR1916CS-CU**

**ELKAY®
SPECIFICATIONS**

SINK DIMENSIONS (INCHES)*

Model Number	Overall		Inside Bowl			With Overflow	Cutout in Countertop Use Sink Upside-down as template and cut 5/16" (8mm) INSIDE Sink Outline.	1 1/4" Dia. Faucet Holes No. & Ctrs.	Minimum Cabinet Size
	L	D	L	W	D				
LLVR1916-CU	19 5/8" (498mm)	16 11/16" (425mm)	15 1/2" (394mm)	11 3/8" (289mm)	6" (152mm)	Yes		1, 2 or 3 - 4" Ctrs.	24 (610mm)
LLVR1916CS-CU	19 5/8" (498mm)	16 11/16" (425mm)	15 1/2" (394mm)	11 3/8" (289mm)	6" (152mm)	Yes		3 - 2" Ctrs.	24 (610mm)

*Length is left to right. Width is front to back.



Model LLVR1916-CU Illustrated

HOLE DRILLING CONFIGURATIONS

