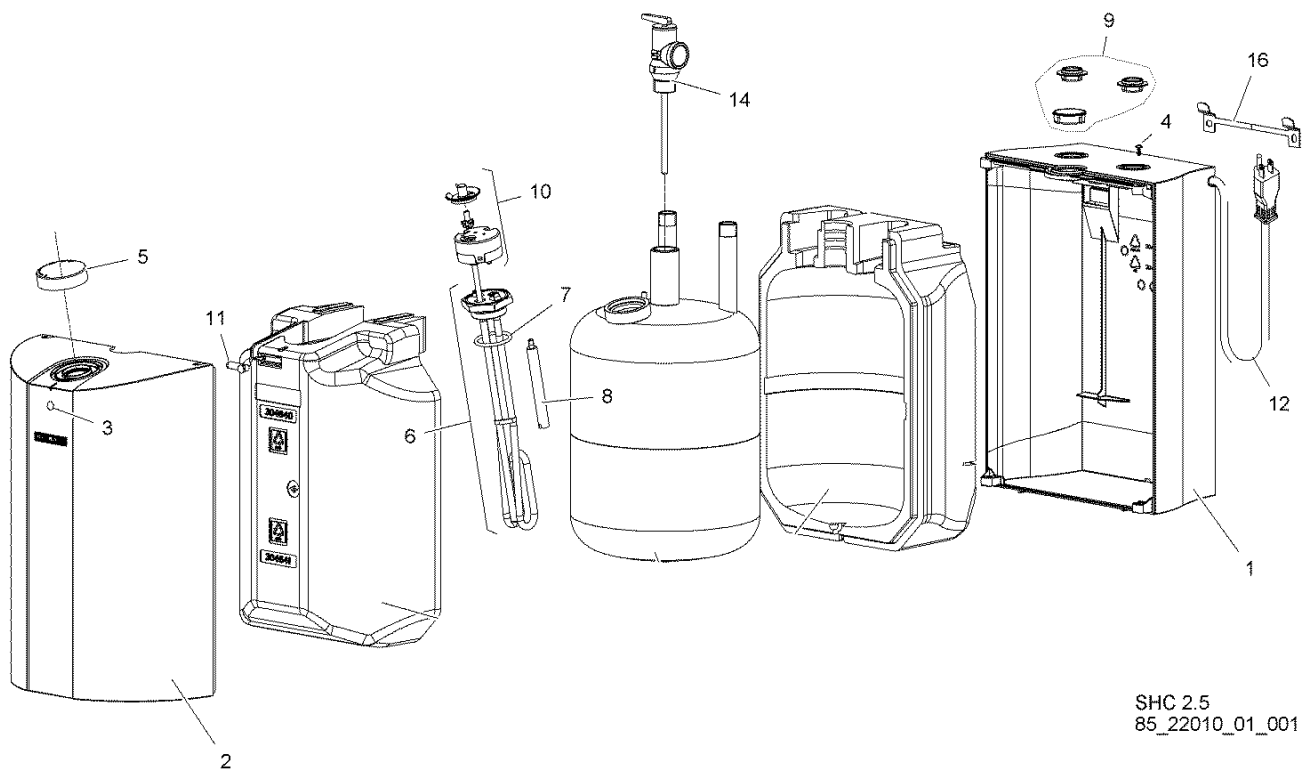


Spare Parts List

SHC 2.5 (item no: 233219)

No.	Part No.	Description
1	304636	Rear cover
2	304634	Front cover
3	304657	Indicator light cover, red
5	311936	Temperature adjustment knob
6	311937	Heating element assembly, 1300 W (includes Nos. 7, 8)
7	311220	O-Ring, 38 x 3.5 mm EPDM
8	304644	Sacrificial anode
9a	304648	Plastic insert, hot water side (red)
9b	304649	Plastic insert, cold water side (blue)
9c	304650	Plastic insert, T&P valve
10	311939	Control unit
11	313128	120 V LED indicator light
12	304658	Electrical cord (UL)
14	294545	T&P valve, 3/4" NPT
16	030881	Mounting bracket



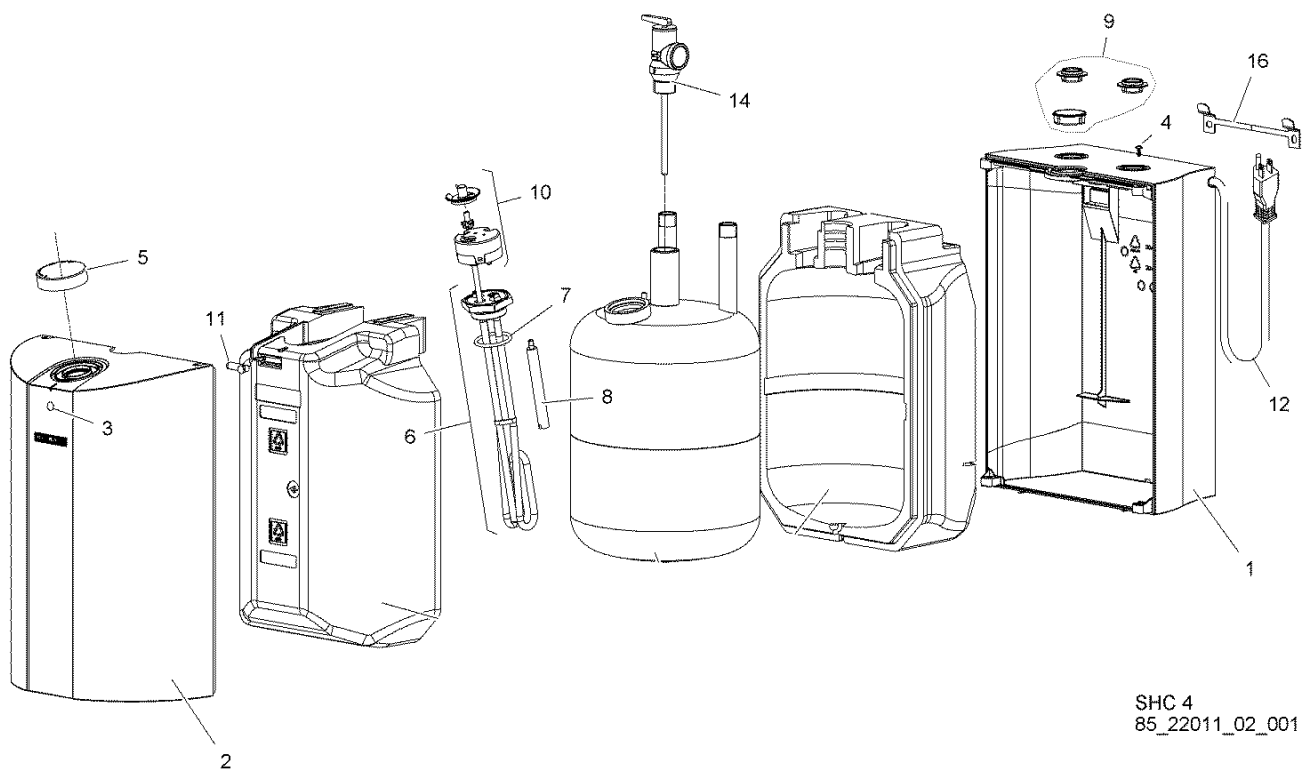
SHC 2.5
85_22010_01_001

rev.3-2016

Spare Parts List

SHC 4 (item no: 234046)

No.	Part No.	Description
1	314185	Rear cover
2	314184	Front cover
3	304657	Indicator light cover, red
5	311936	Temperature adjustment knob
6	316657	Heating element assembly, 1300 W (includes Nos. 7, 8)
7	311220	O-Ring, 38 x 3.5 mm EPDM
8	304644	Sacrificial anode
9a	304648	Plastic insert, hot water side (red)
9b	304649	Plastic insert, cold water side (blue)
9c	304650	Plastic insert, T&P valve
10	311939	Control unit
11	313128	120 V LED indicator light
12	304658	Electrical cord (UL)
14	294545	T&P valve, 3/4" NPT
16	011155	Mounting bracket



SHC 4
85_22011_02_001

rev.3-2016