

Make all installations in accordance with local electrical codes.
Be certain that all installations are carefully and permanently grounded.

⚠ DANGER

ELECTRIC SHOCK

- Turn off the electrical supply to the disposer before attempting any work on it. Use a voltmeter or circuit tester to ensure that power is off.
- All installation work must conform to local plumbing and electrical codes.
- All control centers and disposers must be carefully and permanently grounded.
- A properly fused disconnect must be installed at the electrical supply source for the control center.

⚠ CAUTION

PROPERTY DAMAGE

- Ensure that control center voltage and phase match the disposer motor and electrical supply. Check name plates on disposer and control centers for voltage and phase specifications.
- Refer to the control center wiring diagrams in this manual for correct connection.
- Use NEMA 4 watertight electrical connectors (not supplied) when making electrical connections to the control center.

The time delay relay may be used with the CC-202D or MRS to delay solenoid valve shut-off, providing a post flush. This helps prevent drain line stoppages and is beneficial when ground food waste must travel through many bends or a long horizontal run. It is adjustable from 0 to 10 minutes and factory set to provide approximately a 5 minute delay. To adjust, **SHUT OFF ELECTRIC POWER**. Inside unit, locate the adjustment potentiometer. Turn clockwise to increase delay. Turn counterclockwise to decrease delay. See Figures 2 and 3 for wiring.

Ensure the voltage rating on the time delay relay and solenoid valve are the same as the disposer motor and line voltage.

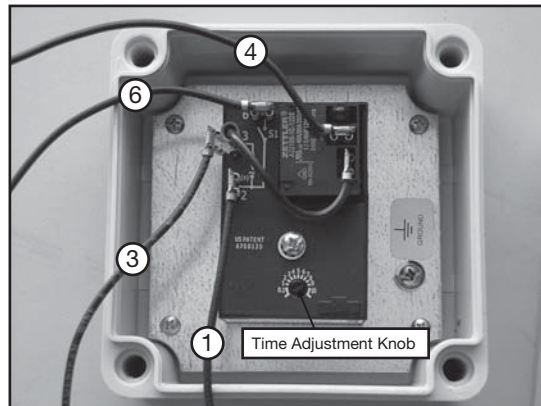


Figure 1. 120V or 208/230V Time Delay Relay

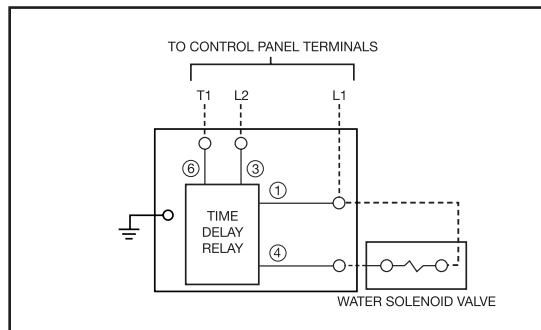


Figure 2. Time Delay Relay Connection
120 or 208/230 V

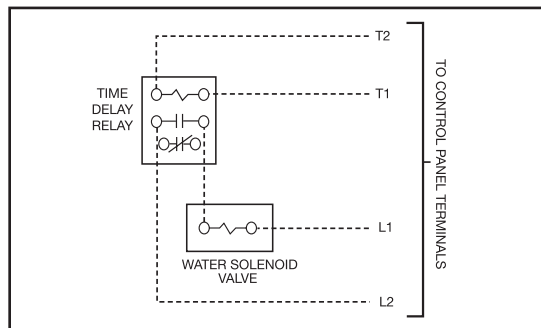
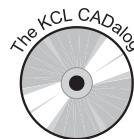


Figure 3. Time Delay Relay Connection
460 V, 3-phase only

Our products appear on **The KCL CADalog** CD-ROM based CAD Foodservice Symbol Library. More information is available from **Kochman Consultants, Ltd.** at www.kclcad.com



Make all installations in accordance with local electrical codes.
Be certain that all installations are carefully and permanently grounded.

⚠ DANGER

ELECTRIC SHOCK

- Turn off the electrical supply to the disposer before attempting any work on it. Use a voltmeter or circuit tester to ensure that power is off.
- All installation work must conform to local plumbing and electrical codes.
- All control centers and disposers must be carefully and permanently grounded.
- A properly fused disconnect must be installed at the electrical supply source for the control center.

⚠ CAUTION

PROPERTY DAMAGE

- Ensure that control center voltage and phase match the disposer motor and electrical supply. Check name plates on disposer and control centers for voltage and phase specifications.
- Refer to the control center wiring diagrams in this manual for correct connection.
- Use NEMA 4 watertight electrical connectors (not supplied) when making electrical connections to the control center.

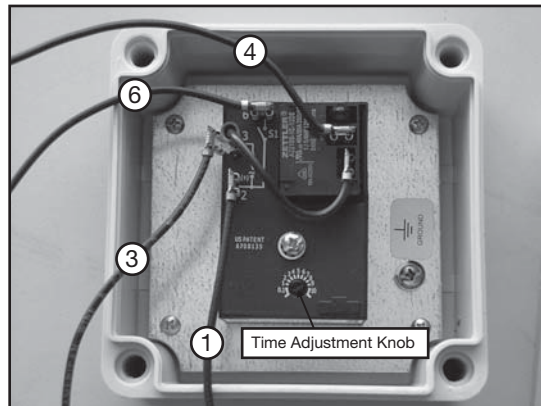


Figure 1. 24V Time Delay Relay

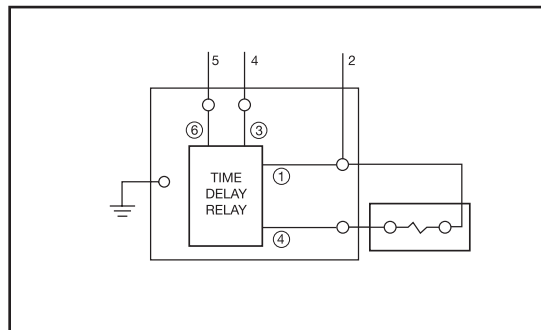
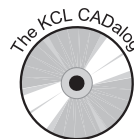


Figure 2. MSLV Time Delay Relay Connection

The time delay relay may be used with the MSLV to delay solenoid valve shut-off, providing a post flush. This helps prevent drain line stoppages and is beneficial when ground food waste must travel through many bends or down a long horizontal run in the drain line. It is adjustable from 0 to 10 minutes and factory-set to provide an approximate 5-minute delay. To adjust the time, **SHUT OFF ELECTRIC POWER**. Inside unit, locate the adjustment knob. Turn clockwise to increase delay or turn counterclockwise to decrease delay. See Figure 2 for wiring.

Ensure the voltage rating on the time delay and solenoid valve are 24 volts. A time delay relay is used only with a water solenoid valve.



Our products appear on **The KCL CADalog** CD-ROM based CAD Foodservice Symbol Library. More information is available from **Kochman Consultants, Ltd.** at www.kclcad.com