

MODEL NUMBERS

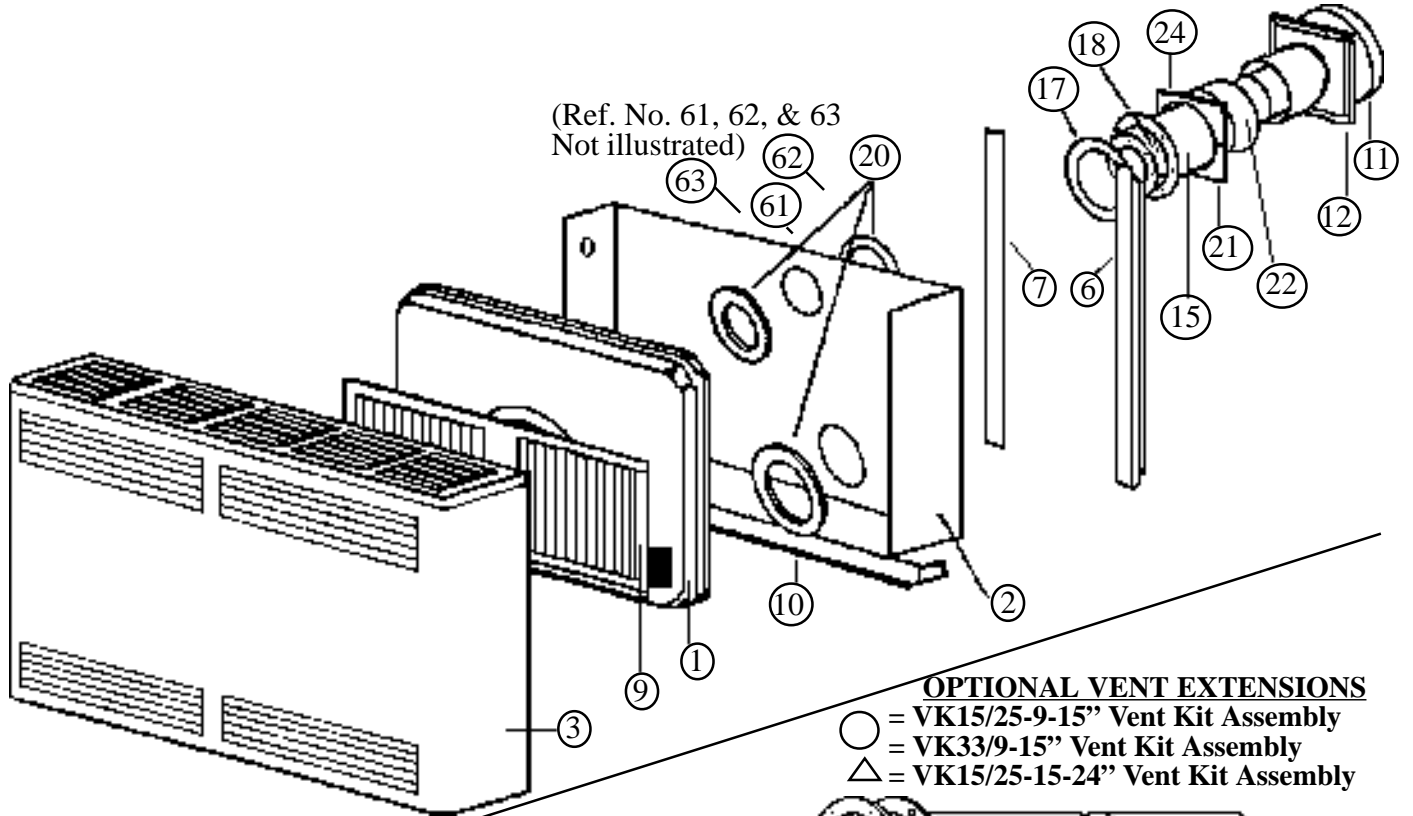
NATURAL GAS
CDV255B
CDV335B

L.P. GAS
CDV256B
CDV336B

**DIRECT VENT WALL FURNACE
 PARTS LIST**

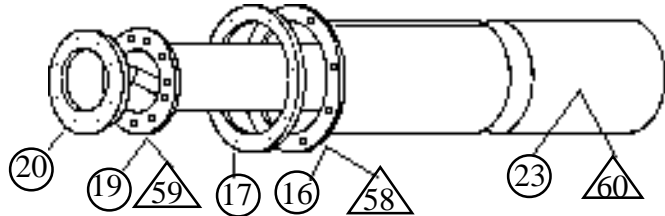
Prices and specifications subject to change
 without notice. All prices are F.O.B. factory.

COZY DIRECT VENT WALL FURNACE - CDV25-B / CDV33-B

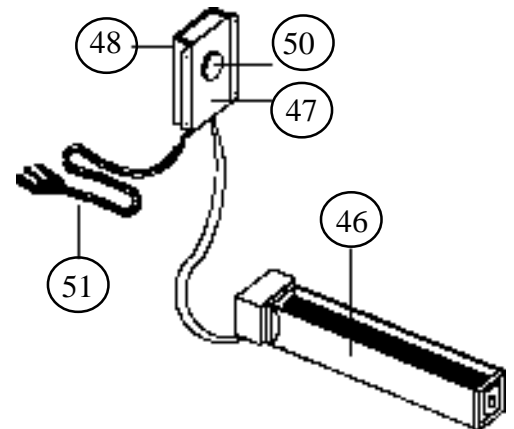
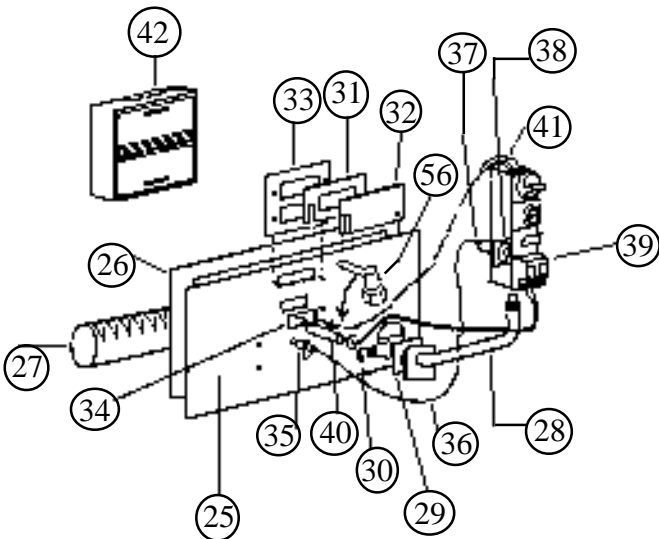


OPTIONAL VENT EXTENSIONS

- = VK15/25-9-15" Vent Kit Assembly
- = VK33/9-15" Vent Kit Assembly
- △ = VK15/25-15-24" Vent Kit Assembly



**OPTIONAL BLOWER ASSEMBLY /
 DVB-2**



HOW TO PROPERLY ORDER PARTS: In addition to part description and part number, please give model number, serial number, and type of gas used. This information can be found on the rating plate located in control compartment.

MODEL NUMBERS	NAT.	CDV255B		CDV335B	
	L.P.	CDV256B		CDV336B	
PART DESCRIPTION	REF. NO.	PART NO.		PART NO.	
Heat Exchanger	1	42765		42765	
Wrapper w/Comb. Air Pan	2	43451		43451	
Cabinet	3	42755		42755	
Leg, Right	6	43495		43495	
Leg, Left	7	43494		43494	
Front Heat Shield Assembly	9	43481		43481	
Bottom Heat Shield Assembly	10	43473		43473	
Vent Cap	11	43145		43145	
Vent Cap Spacer Plate	12	43190		43190	
Air Intake Tube Assy. (5-9" Wall) 6-3/4"Dia.	15	43200		43200	
Air Intake Tube Assy. (9-15" Wall)	16	43810		43810	
Air Intake Tube Assy. (15-24" Wall)	58	43705		N/A	
Air Intake Tube Gasket	17	70061		70061	
Vent Exhaust Tube Assy. (5-9" Wall) 4-3/16" dia.	18	43530		43535	
Vent Exhaust Tube Assy. (9-15" Wall)	19	43820		43828	
Vent Exhaust Tube Assy. (15-24" Wall)	59	43717		N/A	
Vent Exhaust Tube Gasket (Requires 4)	20	70062		70062	
Wall Thimble (5-9" Wall)	21	43552		43552	
Wall Thimble Extension (5-9" Wall)	22	43236		43236	
Wall Thimble Extension (9-15" Wall)	23	43835		43835	
Wall Thimble Extension (15-24" Wall)	60	43730		N/A	
Wall Thimble Gasket	24	70066		70066	
Burner Access Door	25	43247		43247	
Burner Access Door Gasket	26	70060		70060	
Burner	27	70006		70006	
Manifold	28	70032		70032	
Manifold Gasket	29	70065		70065	
Main Burner Orifice (Nat. Gas)	30	70048		70047	
Main Burner Orifice (L.P. Gas)	30	70039		70049	
Sight Glass Assembly	31	43252		43252	
Sight Glass Cover	32	43258		43258	
Sight Glass/Pilot Burner, Gasket	33	70064		70064	
Pilot Burner Q350A1529 (Nat. Gas)	34	80023		80023	
Pilot Burner Q350A1537 (L.P. Gas)	34	80022		80022	
Electrode	35	70052		70052	
Electrode Wire	36	70051		70051	
Piezo Sparker	37	80016		80016	
Piezo Sparker Bracket	38	43263		43263	
Valve, MV, Robertshaw 7000MVRLC-Nat. Gas	39	70090		70090	
Valve, MV, Robertshaw 7000MVRLC-L.P. Gas	39	70091		70091	
Valve, MV, Dexen 6003, Natural Gas	39	84085		84085	
Valve, MV, Dexen 6003LP, L.P. Gas	39	84086		84086	
Pilot Generator, TP75 Millivolt	40	70098		70098	
Pilot Tubing w/fittings	41	70012		70012	
Thermostat, Millivolt	42	74592		74592	
Thermostat Wire	N/A	74518		74518	
Insulated Staples	N/A	74209		74209	
Comb. Air Pan Assembly w/Gaskets	63	43458		43458	
Gasket, Air Pan Top & Bottom (15-1/4x1)	61	*70074		*70074	
Gasket, Air Pan Sides (25x1)	62	*70073		*70073	
90 Degree Elbow	56	70352		70352	
Vent Terminal Shield	N/A	34950		34950	
Blower Housing w/Motor & Blower	46	70201		70201	
Junction Box	47	43610		43610	
Junction Box Cover	48	43620		43620	
Fan Switch 120 degree	50	70110		70110	
Cord Set	51	80202		80202	
Cover Plate	N/A	43078		43078	
Blower Screen	N/A	43630		43630	

Mr. Contractor, we only sell parts through our wholesalers, but the prices listed above are for your convenience. For prompt parts service, contact the wholesaler from which you purchased your Cozy heater. **NOTE:** Parts & schematic drawings on current models are shown at www.cozyheaters.com.