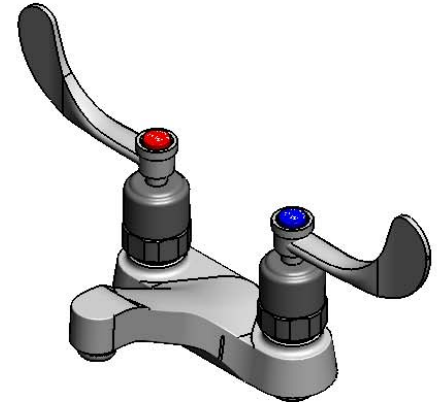
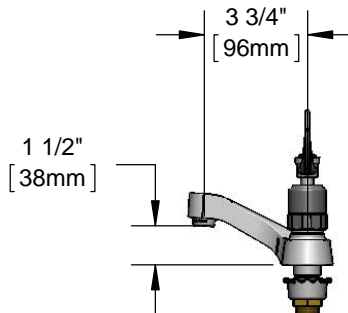
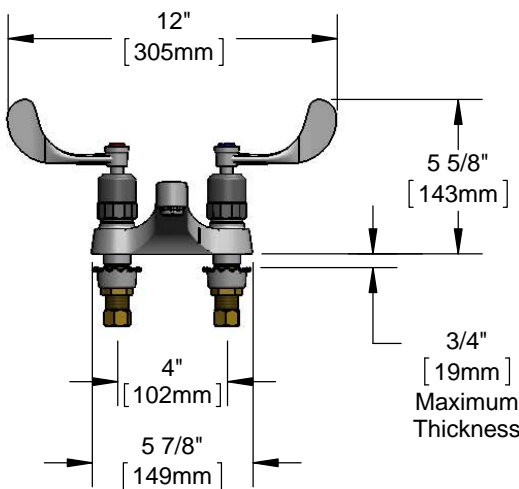




#### Architect/Engineering Specifications:

4" centerset deck mount mixing faucet with polished chrome plated cast brass body and integral spout, 2.2 GPM aerator, metering cartridges, 4" wrist action handles and 1/2" NPSM male inlets. Certified to ASME A112.18.1/CSA B125.1, NSF 61-Section 9 and NSF 372. Meets ADA ANSI/ICC A117.1 requirements.

Job Name	_____		
Model Specified	_____	Quantity	_____
Variations Specified	_____		
Date	_____		



#### Features & Benefits:

- 4" centerset deck mount mixing faucet w/ polished chrome plated cast brass body and integral spout
- 2.2 GPM aerator, Series 3 (B-0199-03)
- 4" wrist action handles with color coded indexes
- Metering cartridges
- Adjustable metering cycle, 10 to 30 seconds
- 1/2" NPSM male inlets
- Material: Polished chrome plated brass body & spout and chrome plated metal handles

#### Product Compliance:

- ASME A112.18.1 / CSA B125.1
- NSF 61 - Section 9
- NSF 372 (Low Lead Content)
- ANSI A117.1 (ADA)



**Warranty:** One Year (Limited)

#### Performance Data:

- Pressure: 20 - 125 psi
- Temperature: 40°F - 140°F
- Flow Rate: 2.2 GPM @ 60 psi
- Water Consumption: @ 10 sec = .37 gal  
@ 15 sec = .55 gal



**ADA Compliant**

#### Optional Outlets (Series 3 / VR Series 8)

GPM	Aerated	Non-Aerated (Laminar)	VR Aerated	VR Non-Aerated (VR Laminar)	Optional Cartridges
0.35	N/A	<input type="checkbox"/> B-0199-03-N035	N/A	<input type="checkbox"/> B-0199-08-N035	<input type="checkbox"/> Push Button Metering
0.5	N/A	<input type="checkbox"/> B-0199-03-N05	N/A	<input type="checkbox"/> B-0199-08-N05	<input type="checkbox"/> Pivot Action Metering
1.0	N/A	N/A	N/A	<input type="checkbox"/> B-0199-08-LF-10	<input type="checkbox"/> Wrist Action Metering (Standard)
1.5	<input type="checkbox"/> B-0199-03-WS	N/A	<input type="checkbox"/> B-0199-08-WS	N/A	
2.2	Standard	<input type="checkbox"/> B-0199-26	<input type="checkbox"/> B-0199-08	<input type="checkbox"/> B-0199-28	

