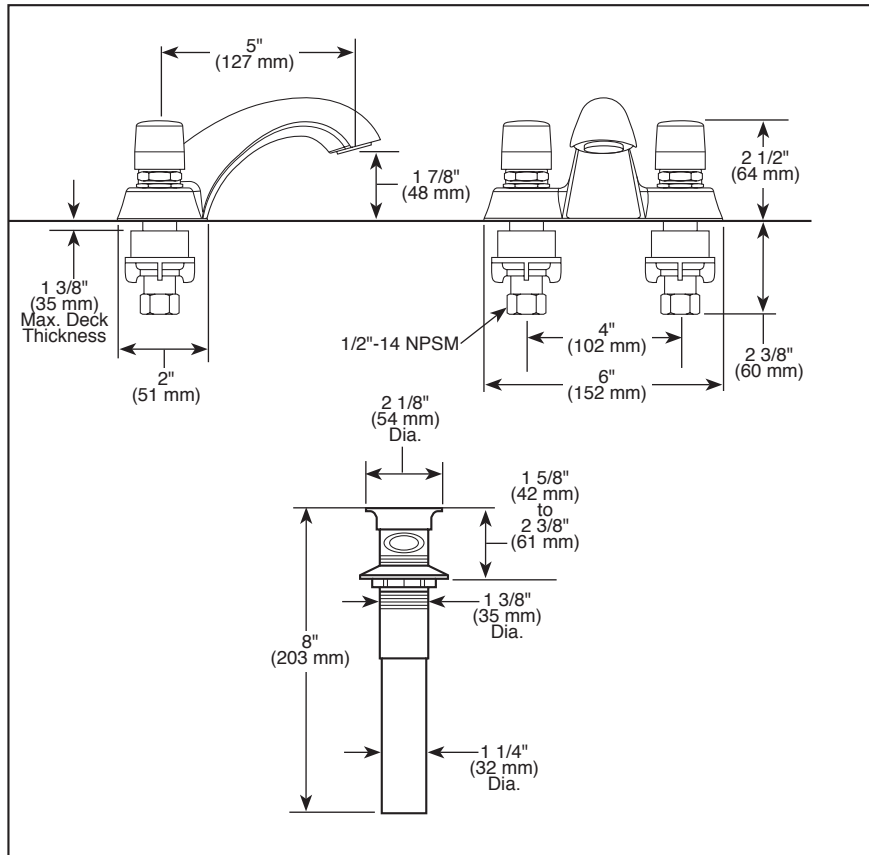


Submitted Model No.: _____

Specific Features: _____



LAVATORY FAUCETS

- Two Handle
- Slow Self Closing
- Deck Mount
- 2 and 3 Hole Sink Applications
- 4" (102 mm) Centerset

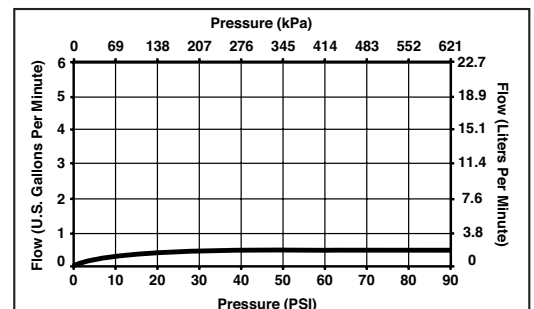
STANDARD SPECIFICATIONS:

- Two handle, slow self-closing faucet. For two and three hole deck mount applications.
- 4" (102 mm) centerset.
- 3 7/16" (87 mm) long spout.
- Metering, vandal resistant, slow-close push handle.
- No lift rod hole.
- .5 gpm (1.9 L/min) vandal resistant spray outlet. Total flow per actuation must not exceed .25 gal./cycle (1.0 L/cycle)
- All operating parts must be replaceable from above the deck.
- 1/2"-14 NPSM threaded male inlet shanks.



COMPLIES WITH:

- ASME A112.18.1 / CSA B125.1
- Verified compliant with .25% weighted average Pb content regulations.



Delta reserves the right (1) to make changes in specifications and materials, and (2) to change or discontinue models, both without notice or obligation. Dimensions are for reference only. See current full-line price book or www.specselect.com for finish options and product availability.

DSP-L-2507LF-HDF Rev. B



55 E. 111th Street, Indianapolis, Indiana 46280
 350 South Edgeware Road, St. Thomas, ON N5P 4L1
 © 2013 Masco Corporation of Indiana