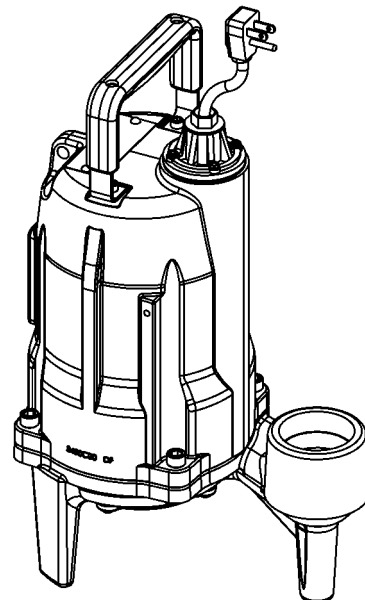


ProVore® Residential Grinder Pumps

Models:

PRG101A	1 hp, 115V, 1 phase, Automatic Switch, 10' Power cord
PRG101A-2	1 hp, 115V, 1 phase, Automatic Switch, 25' Power cord
PRG101M	1 hp, 115V, 1 phase, 10' Power cord
PRG101M-2	1 hp, 115V, 1 phase, 25' Power cord
PRG102A	1 hp, 230V, 1 phase, Automatic Switch, 10' Power cord
PRG102A-2	1 hp, 230V, 1 phase, Automatic Switch, 25' Power cord
PRG102M	1 hp, 230V, 1 phase, 10' Power cord
PRG102M-2	1 hp, 230V, 1 phase, 25' Power cord

***Do not throw away or lose this manual.**



Contents

- General Information
- Introduction
- Mechanical Installation
- Electrical Connection
- Operation
- Troubleshooting
- Warranty

IMPORTANT:

Prior to installation, record Model, Serial Number, and Code Number from pump nameplate for future reference.

MODEL _____

SERIAL _____

CODE _____

INSTALLATION
DATE _____



7000 Apple Tree Avenue
Bergen, NY 14416
Phone: (800) 543-2550
Fax: (585) 494-1839
www.libertypumps.com



1. General Information

Before installation, read the following instructions carefully. Each Liberty pump is individually factory tested to insure proper performance. Closely following these instructions will eliminate potential operating problems, assuring years of trouble-free service.

WARNING

- **Risk of electric shock.** Always disconnect the pump from the power source before handling or making adjustments.
- The electrical connections and wiring for a pump installation should only be made by qualified personnel.
- This pump is supplied with a grounding conductor and grounding-type attachment plug. To reduce the risk of electric shock, be certain that it is connected only to a properly grounded, grounding-type receptacle.
- DO NOT bypass grounding wires or remove ground prong from attachment plugs.
- DO NOT use an extension cord.
- This pump requires a separate, properly fused and grounded branch circuit. Make sure the power source is properly sized for the voltage and amperage requirements of the pump, as noted on the nameplate.
- The electrical outlet shall be within the length limitations of the pump power cord, and at least 4 feet above floor level to minimize possible hazards from flood conditions.
- The installation must be in accordance with the National Electric Code, Uniform Plumbing Code, International Plumbing Code, as well as all applicable local codes and ordinances.
- Sump and sewage pumps often handle materials which could cause illness or disease. Wear adequate protective clothing when working on a used pump or piping.
- Never enter a pump basin after it has been used. Sewage and effluent can emit several gases which are poisonous.
- Keep clear of suction and discharge openings. To prevent injury, never insert fingers into pump while it is plugged in.
- DO NOT use this product for flammable or corrosive liquid.
- DO NOT use this product in applications where human contact with the pumped fluid is common (such as swimming pools, fountains, etc.)
- NEVER dispose of materials such as paint thinner or other chemicals down drains, as they can chemically attack and damage pump components, potentially causing product malfunction or failure.
- DO NOT run pump dry, this product is intended to be partway submerged when operating.

CAUTION

- Do not use these pumps in water over 140° F.
- The Uniform Plumbing Code (UPC) states that sewage systems shall have an audio and visual alarm that signals a malfunction of the system, to reduce the potential for property damage.
- A 20 amp breaker is recommended for 115V pumps.

Model	HP	Volts	Phase	Full Load Amps	FNPT Discharge	Automatic or Manual*
PRG101A	1	115	1	12	2"	Automatic
PRG101A-2	1	115	1	12	2"	Automatic
PRG101M	1	115	1	12	2"	Manual
PRG101M-2	1	115	1	12	2"	Manual
PRG102A	1	230	1	6	2"	Automatic
PRG102A-2	1	230	1	6	2"	Automatic
PRG102M	1	230	1	6	2"	Manual
PRG102M-2	1	230	1	6	2"	Manual

* **Note:** Manual models ("M" suffix), require a separate approved pump control device or panel for automatic operation. Operation of these models will be according to the control selected. Make sure the electrical specifications of the control selected properly match the electrical specifications of the pump. Always refer to control panel instructions for proper installation.

2. Introduction

INTRODUCTION

This manual was prepared to assist you in the correct installation, operation, and maintenance of your Liberty pump. Please read it completely before installing the pump. Make certain that you are familiar with the contents, and the chapters on installation and operation are fully understood before running the pump.

Liberty Pumps are designed for minimal maintenance. However, regular checks will ensure longer life and greater operating reliability.

WARRANTY: No repair work should be carried out during the warranty period without prior factory approval. To do so may render the warranty void.

SERIAL #: In all correspondence and reports, make certain that the pump serial number is given.

DESIGN OF PUMP

⚠ WARNING The grinder pump contains metal parts that rotate at high speeds. Be careful around pump base while power is connected. Make sure that the pump is either in the tank or clear from people and wires when in operation.

1. Liberty ProVore® Series grinder pumps are designed for continuous underwater operation. The motor and pump form a close coupled, watertight unit. The induction motor is insulated against heat and moisture, Class B insulation.
2. A thermal overload protector is imbedded in the stator windings. This is connected in series and wired to shut down the pump if overheating occurs. The overload switch resets automatically when the motor cools.
3. The motor is protected against damage from water entry by a mechanical type cartridge seal with two silicon-carbide faces.
4. The impeller and volute are designed for efficient flow characteristics and clog-free operation. The hardened cutters grind solids and fibrous matter into small particles that can be safely pumped through small diameter piping.
5. For sewage systems, consult local plumbing codes on requirements for venting the tank. The pump shall not be installed in locations classified as hazardous in accordance with the National Electrical Code, ANSI/NFPA70.

NOTE: The primary material of the Liberty PRG Series Pumps is cast iron, elastomers are Buna-N. They should not be used to pump corrosive liquids.

3. Mechanical Installation

INSPECTION UPON RECEIPT

The shipping container should be immediately inspected for damage that may have occurred in shipment. Exercise care in opening the shipping container to avoid damage to the pump. Remove any blocking and cushioning from within the container.

Check all cushioning for spare parts before discarding. Visually check the pump and any spare parts for damage. Check for damaged electrical wires, especially where they exit the motor housing. Contact the Liberty Pumps Customer Service Department to report any damage or shortage of parts. The cutter located on the bottom of the unit should be turned several rotations with the use of a 6 mm hex wrench, it should rotate freely without rubbing on the cutter plate. This will insure that the impeller and cutter are free of any seizure due to prolonged storage. If the impeller is not rotated manually prior to installation, the pump may fail to activate. If the impeller's rotation is difficult or completely resistant, contact the Liberty Pumps Customer Service Department.

STORAGE BEFORE USE

Liberty pumps are shipped from the factory ready for installation and use. They should be held in storage if the pump station is not complete. If storage is necessary, the pump should remain in its shipping container. It should be stored in a warehouse or storage shed that has a clean, dry temperature-stable area where the pump and its container should be covered to protect it from water, dirt, dust, etc. The ends of the cables - (plugs) must be protected against moisture.

CAUTION

AT NO TIME SHOULD THE PUMP BE STORED WITHIN AN INCOMPLETE WET PIT. THE PUMP SHOULD NOT BE PLACED INTO THE PIT UNTIL IT CAN BE FULLY OPERATED.

LONG TERM STORAGE

1. If it is necessary to store a pump for a long period of time, it should be stored indoors in a clean, dry temperature-stable environment. The pump should be covered to protect it from dust, dirt and water. The plug end of the cable must be protected against moisture.
2. Do not allow the pump to freeze.
3. Prior to installation, the pump motor should be rotated to ensure the seals and cutters are free spinning.
4. Installed pumps which are idle for long periods of time should be manually operated through the breaker panel once a month to lubricate the seals. Turn off the breaker, unplug the piggyback switch, and plug the pump directly into the wall socket. Turn the breaker on for 30 seconds. Turn the breaker off, and then plug the piggyback switch back in.

4. The Basin

The basin required for both effluent and sewage applications must be sealed and vented to meet health and plumbing code requirements. These pumps are not to be installed in locations classified as hazardous in accordance with the National Electric Code, ANSI/NFPA 70. The diameter should be a minimum of 18" and the depth a minimum of 24". (These are minimum requirements. A larger basin may be required in both effluent and sewage applications depending on local codes and the number of fixture units entering the system. Check with the local authorities or contact Liberty Pumps if you are unsure of the proper basin size.) Installation should be at a sufficient depth to ensure that all plumbing is below the frost line. If this is not feasible, remove the check valve and size the basin and/or adjust pump differential to accommodate the additional backflow volume.

- A. **Excavation:** Excavate the hole as small as possible, with a minimum recommended 8" diametrical clearance around the tank. Never place the basin directly in contact with rocks or other sharp objects. Place only fine, 1/8" to 3/4" pea gravel or 1/8" to 1/2" washed, crushed stone as bedding between the basin and the hole walls. Do not use sand or native soil as backfill. Properly compact underneath the basin to provide a solid, level base that can support the weight of the filled basin.
- B. **Inlet Connection & Initial Backfill:** Only fine, 1/8" to 3/4" pea gravel or 1/8" to 1/2" washed, crushed stone should be used around the bottom of the basin to hold it in place. Do not use sand or native soil as backfill. Make the inlet connection as required for your basin.

Liberty P380, & P680: The Liberty Pro Series basins have a 4" inlet molded to the side of the tank. This inlet is sized to accept a 4" no-hub type coupling. Connect the gravity drainage line from the fixtures to this hub.

Other Basins: Other Liberty basins provide a 4" caulking hub or pipe grommet inlet. Hubs utilize caulking material or rubber donuts; grommets are a simple slip-fit. Connect the gravity drainage line from the fixtures to this opening. (Other inlet sizes available – consult factory.)

- C. **Final Backfill:** Large rocks, clods, and foreign objects should be kept out of the backfill material. Only fine, 1/4" to 3/4" pea gravel, or 1/8" to 1/2" washed, crushed stone is recommended. Do not use sand or native soil as backfill. Mound the backfill slightly and allow for natural settling. Provide access to the basin cover for maintenance and service.

CAUTION

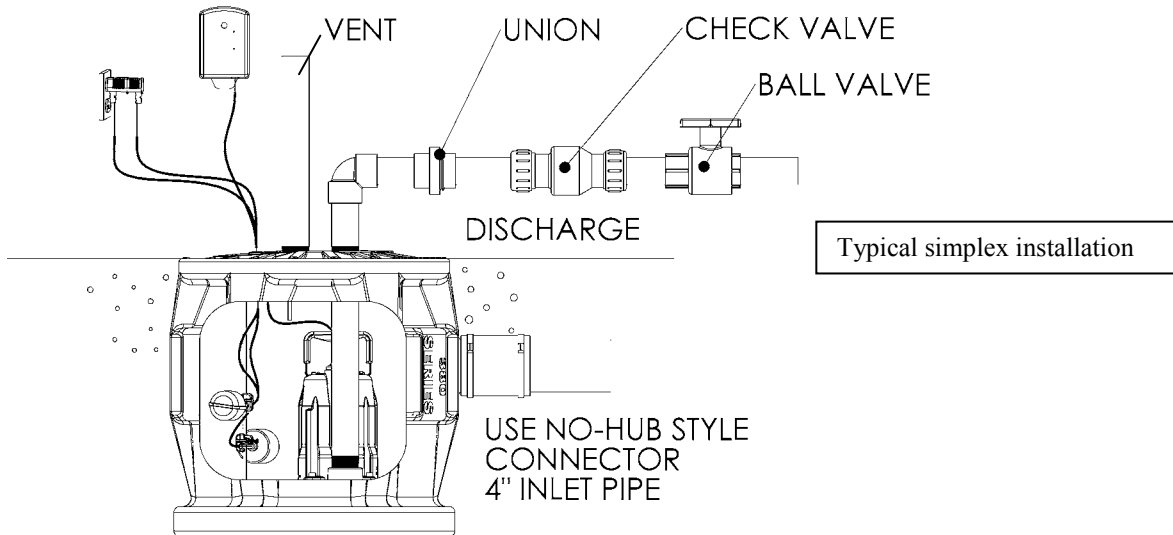
Do not exert heavy pressure or run heavy equipment on the backfill material as this could cause the tank to collapse.

5. Installation of the Pump

⚠ WARNING THIS PUMP IS NOT TO BE INSTALLED IN LOCATIONS CLASSIFIED AS HAZARDOUS IN ACCORDANCE WITH THE NATIONAL ELECTRICAL CODE, ANSI/NFPA 70.

Grinder pumps must be installed in a tank that is vented in accordance with local plumbing codes. Installation should be at a sufficient depth to ensure that all plumbing is below the frost line. If this is not feasible, remove the check valve and size the basin and/or adjust pump differential to accommodate the additional backflow volume. Consult the factory for details on how this should be done.

ALARM (OPTIONAL)



6. Electrical Service & Operation

⚠ WARNING

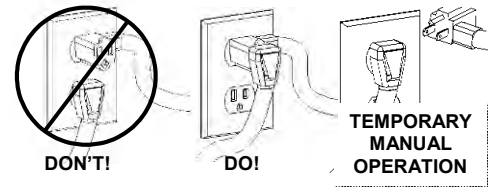
- **Risk of electric shock.** Always disconnect the pump from the power source before handling or making adjustments.
- The electrical connections and wiring for a pump installation should only be made by qualified personnel.
- This pump is supplied with a grounding conductor or a grounding type attachment plug. To reduce the risk of electric shock, be certain that the grounding conductor is connected only to a properly grounded control panel or, if equipped with a grounding type plug that it is connected to a properly grounded, grounding type receptacle.
- DO NOT bypass grounding wires or remove ground prongs from attachment plugs.
- DO NOT remove cord and strain relief and DO NOT connect conduit to pump.
- DO NOT use an extension cord.
- This pump requires separate, properly fused and grounded branch circuit. Make sure the power source is properly sized for the voltage and amperage requirements of the motor, as noted on the pump nameplate.
- The electrical outlet or panel shall be within the length limitations of the pump power cord, and at least 4 feet above floor level to minimize possible hazards from flood conditions.
- The installation must be in accordance with the National Electric Code and all applicable local codes and ordinances.

⚠ CAUTION

When the risk of property damage from high water levels exists, an independent high water alarm should be installed. A duplex pumping system is recommended for critical installations.

All "A" models (automatic pumps) come factory-equipped with a float switch mounted to the pump. These models come with two cords - one to the float switch and the other to the pump motor. The switch cord has a series (piggyback) plug enabling the pump (motor) cord to be plugged into the back of it (see Fig. 4). The purpose of this design is to allow manual operation of the pump. Note, on / off operation of the pump must be controlled by the circuit breaker.

Fig. 4 Piggyback plug installation.



For automatic operation using Liberty's supplied switch, the two cords should be interconnected and plugged into a separately fused, grounded outlet of proper amp capacity for your selected pump model. (See Section 1, General Information, or the pump nameplate for electrical specifications of your model.) Both cords are equipped with 3-prong plugs and must be plugged into a properly grounded 3-wire receptacle. DO NOT REMOVE THE GROUND PRONGS.

In the event of switch failure, the pump cord can be separated and plugged into the electrical outlet, directly bypassing the switch. For 115V and 230V single phase pumps should only be operated without the float switch by using the circuit breaker or panel disconnect. Do not let the pump run dry.

The turn-on level of automatic "A" models is approximately 12" to 16" above the bottom of the basin. The turn-off level is approximately 6" above the bottom of the basin. Other pumping differentials may be obtained by tethering the switch cord to the discharge pipe. NOTE: A minimum cord length of 3.5" from the tether point to the top surface of the float is required for proper switch operation. If using a differential other than the factory setting, be sure when the pump shuts off at least 6" of fluid is left in the basin so the impeller remains submerged.

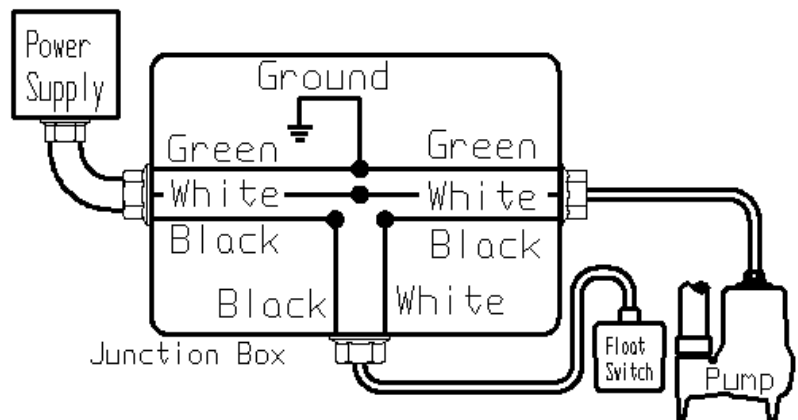
PRG Series pump models with an "M" designation are manual models with no switch. They are intended to be run using an approved liquid level control or approved motor control with correct rating that matches motor input in full load amperes. 3-phase models require the use of an approved motor control that matches motor input in full load amperes with overload element(s) selected or adjusted in accordance with control instructions.

Automatic operation with optional control devices: If the pump(s) are to be operated by either a simplex or duplex control panel, or other optional control device, follow the installation instructions provided with your specific control and make the power connections per those instructions. If necessary, certain models may be run without a separate control. 230V single-phase pumps should only be operated without the float switch by using the circuit breaker or panel disconnect. Do not let the pump run dry.

ProVore® "A" and "M" models: If the pump is to be wired directly into a control device or junction box, and it is necessary to remove the plugs, have a certified electrician do the wiring in accordance with the National Electric Code and applicable local codes. See Fig. 5 for direct wire installation of single phase, automatic pumps.

⚠ WARNING

In 230V installations, one side on the line going to the pump is always "hot", whether the float switch is on or off. To avoid hazards, install a double pole disconnect near the pump installation.



Direct Wiring of 115V or 230V, Single Phase, Automatic Pumps

STEPS TO BE TAKEN BEFORE ENERGIZING

1. Retighten all field-made connections. Retighten all factory-made connections. These may have loosened due to shipping and handling vibrations.
2. Check the security of mounting hardware.
3. Check the enclosure to see that it has not been damaged in such a manner as to reduce electrical spacing.
4. Rotate the cutter wheel with the hex socket head cap screw to verify movement and lubricate the seals.
5. Ensure that no wires or other obstacles are in the way of the pump cutter.
6. MOTOR OVERLOAD PROTECTION: The pump motor is protected from locked rotor and running overloads by a thermal overload integrally mounted to the motor. No adjustments are required.
7. Check to determine that all grounding connections are made properly

If a panel is used, remove all debris, scrap wire, etc., from the control panel interior before closing the doors. Install covers, close doors making certain that no wires are pinched and that all enclosure parts are properly aligned and tightened.

⚠ WARNING **ENERGIZING THE CONTROL PANEL OR BREAKER FOR THE FIRST TIME IS POTENTIALLY DANGEROUS. LICENSED ELECTRICAL PERSONNEL SHOULD BE PRESENT WHEN THE PANEL OR BREAKER IS ENERGIZED FOR THE FIRST TIME. IF FAULTS CAUSED BY DAMAGE OR POOR INSTALLATION PRACTICES HAVE NOT BEEN DETECTED, SERIOUS DAMAGE CAN RESULT WHEN POWER IS APPLIED (REFER TO SECTION 5).**

FLOAT SWITCHES

1. The pump's on and off cycles are normally controlled by a "piggy back" float switch attached to the side of the pump, or by hanging switches in the wet well. Refer to panel or switch instructions for proper electrical connection

FLOAT SEQUENCE- PIGGY BACK SWITCH (AUTOMATIC MODELS)

1. As the liquid level in the wet well rises, the float tilts, closing the switch. This starts the pump.
2. The pump runs until the liquid level falls to the "PUMP OFF" level of the float (Factory set - 6" minimum).

FLOAT SEQUENCE- SIMPLEX CONTROL PANEL (MANUAL MODELS)

1. As the liquid level in the wet well rises, the "PUMP OFF" float tilts, closing the switch (This level must be set at a minimum of 6"). As the liquid level continues to rise, the "PUMP ON" float tilts. This switch closes, starting the pump.
2. The pump runs until the liquid level falls below the "PUMP OFF" float, emptying the wet well.
3. In the event of a malfunctioning float switch, control relay or pump, the liquid level rises and tilts the "HIGH LEVEL ALARM" float. The alarm system will activate.

FLOAT SEQUENCE-DUPLEX CONTROL PANEL (MANUAL MODELS)

1. As the liquid level in the wet well rises, the "PUMP OFF" tilts, closing the switch. As the liquid level continues to rise, the "LEAD PUMP ON" float tilts. This switch closes, starting the lead pump. The pump runs until the liquid level falls below the "PUMP OFF" float (6" minimum), emptying the wet well.
2. On the next rise of the liquid level, the other pump will start on the "LEAD PUMP ON" signal. The pumps will continue to alternate their cycles.

NOTE: The ON/OFF float switch differential should be set as to not exceed 12 starts per hour.

3. If the liquid level rises to the "LAG PUMP ON" float, the second pump will start. Both pumps will run until the liquid falls below the "PUMP OFF" float, emptying the wet well.
4. In the event of a malfunctioning float switch, control relay or pump, the liquid level rises and tilts the "HIGH LEVEL ALARM" float. The alarm system will activate.

FLOAT SWITCH INSTALLATION

The engineering drawings will normally specify the levels for pump start and stop and high level alarm. If they are not specified, these guidelines should be used to determine float switch locations.

PIGGY BACK SWITCH

(1-Float System)

Pump Off: Factory set. (Float tether 3.5")

Pump On: Factory set. (Float tether 3.5")

SIMPLEX PUMP STATION

(3-Float System)

Pump Off: Level to top of motor housing.

Pump On: Minimum 1-1/2 ft. above Pump Off Level.

High Level Alarm: Minimum 1 ft. above pump ON level. Below influent pipe.

DUPLEX PUMP STATION

(4-Float System)

Pump Off: Level to top of motor housing.

Lead Pump On: Minimum 1-1/2 ft. above Pump Off level.

Lag Pump On: Minimum 1 ft. above Lead Pump On level.

High Level Alarm: Minimum 1 ft. above Lag Pump On level. Below influent pipe.

7. **Operation**

OPERATION

After the electrical and mechanical installations have been performed, the pump is ready for operation. No operational procedures are required except to apply rated power to the pump. There are no specific shutdown procedures beyond disconnecting the power supply.

⚠ CAUTION

IF THE ROTATION OF A SINGLE PHASE PUMP IS INCORRECT, NOTIFY THE LIBERTY PRODUCT SERVICE DEPARTMENT IMMEDIATELY. DO NOT SWITCH THE POWER SUPPLY LEADS. DO NOT OPERATE THE PUMP.

⚠ WARNING

ALWAYS ENSURE THAT THE PUMP IS FREE OF WIRES OR OTHER OBSTRUCTIONS THAT MAY CAUSE HARM OR INJURY.

PERIODIC MAINTENANCE & LUBRICATION

Liberty pumps are designed for long lasting, efficient and reliable service with a minimum of preventive maintenance checks. These checks are few but will add years of satisfactory service to the life of the pump

LUBRICATION

Pump is permanently lubricated and cooled by turbine oil. If replacement oil is required, use ISO-10 turbine oil. Capacity .5 gallons.

8. Maintenance and Troubleshooting



WARNING

Risk of electric shock. Always disconnect the pump from the power source before handling or making adjustments.

This pump has an oil filled motor enclosure, drain oil before removing the four cover screws.

Problem	Cause	Correction
Pump will not run.	<ul style="list-style-type: none"> Blown fuse or other interruption of power; improper voltage. 	<ul style="list-style-type: none"> Check that the unit is securely plugged in. Have an electrician check all wiring for proper connections and adequate voltage and capacity.
	<ul style="list-style-type: none"> Switch is unable to move to the "turn on" position due to interference with the side of basin or other obstruction 	<ul style="list-style-type: none"> Position the pump or switch so that it has adequate clearance for free operation.
	<ul style="list-style-type: none"> Insufficient liquid level. 	<ul style="list-style-type: none"> Make sure the liquid level is allowed to rise enough to activate switch(s).
	<ul style="list-style-type: none"> Defective switch. 	<ul style="list-style-type: none"> Remove and replace switch.
Pump will not turn off.	<ul style="list-style-type: none"> Switch(s) unable to move to the "turn off" position due to interference with the side of basin or other obstacle. 	<ul style="list-style-type: none"> Position the pump or switch so that it has adequate clearance for free operation.
	<ul style="list-style-type: none"> Defective switch. 	<ul style="list-style-type: none"> Remove and replace switch.
Pump runs or hums, but does not pump.	<ul style="list-style-type: none"> Discharge is blocked or restricted. 	<ul style="list-style-type: none"> Check the discharge line for foreign material, including ice if the discharge line passes through or into cold areas.
	<ul style="list-style-type: none"> Check valve is stuck closed or installed backwards. 	<ul style="list-style-type: none"> Remove check valve(s) and examine for freedom of operation and proper installation.
	<ul style="list-style-type: none"> Gate or ball valve is closed. 	<ul style="list-style-type: none"> Open gate or ball valve.
	<ul style="list-style-type: none"> Total lift is beyond pump's capability. 	<ul style="list-style-type: none"> Try to route piping to a lower level. If not possible, a larger pump may be required. Consult the factory.
	<ul style="list-style-type: none"> Pump impeller is jammed or volute casing is plugged. 	<ul style="list-style-type: none"> Remove the pump from the basin, remove cutter and cutter plate clean the area around the impeller. Reassemble and reinstall. The center screw uses a 6mm hex drive. The screw can be heated to remove thread locking compound
Pump runs periodically when fixtures are not in use.	<ul style="list-style-type: none"> Check valve was not installed, is stuck open or is leaking. 	<ul style="list-style-type: none"> Remove check valve(s) and examine for freedom of operation and proper installation.
	<ul style="list-style-type: none"> Fixtures are leaking. 	<ul style="list-style-type: none"> Repair fixtures as required to eliminate leakage.
Pump operates noisily.	<ul style="list-style-type: none"> Foreign objects in the impeller cavity. 	<ul style="list-style-type: none"> Remove the pump from the basin, remove cutter and cutter plate clean the area around the impeller. Reassemble and reinstall. The center screw uses a 6mm hex drive. The screw can be heated to remove thread locking compound
	<ul style="list-style-type: none"> Broken impeller. 	<ul style="list-style-type: none"> Consult the factory for information regarding replacement of impeller.
	<ul style="list-style-type: none"> Worn bearings. 	<ul style="list-style-type: none"> Return pump to the factory or authorized repair station for repair.
	<ul style="list-style-type: none"> Piping attachments to building are too rigid. 	<ul style="list-style-type: none"> Replace a portion of the discharge line with rubber hose or connector.

9. **3 Year Limited Warranty**

Liberty Pumps, Inc. warrants that pumps of its manufacture are free from all factory defects in material and workmanship for a period of 3 years from the date of purchase. The date of purchase shall be determined by a dated sales receipt noting the model and serial number of the pump. The dated sales receipt must accompany the returned pump if the date of return is more than 3 years from the "CODE" (date of manufacture) number noted on the pump nameplate.

The manufacturer's obligation under this Warranty shall be limited to the repair or replacement of any parts found by the manufacturer to be defective, provided the part or assembly is returned freight prepaid to the manufacturer or its authorized service center, and provided that none of the following warranty-voiding characteristics are evident.

The manufacturer shall not be liable under this Warranty if the product has not been properly installed; if it has been disassembled, modified, abused or tampered with; if the electrical cord has been cut, damaged or spliced; if the pump discharge has been reduced in size; if the pump has been used in water temperatures above the advertised rating, or water containing sand, lime, cement, gravel or other abrasives; if the product has been used to pump chemicals or hydrocarbons; if a non-submersible motor has been subjected to excessive moisture; or if the label bearing the serial, model and code number has been removed. Liberty Pumps, Inc. shall not be liable for any loss, damage or expenses resulting from installation or use of its products, or for consequential damages, including costs of removal, reinstallation or transportation.

There is no other express warranty. All implied warranties, including those of merchantability and fitness for a particular purpose, are limited to three years from the date of purchase.

This Warranty contains the exclusive remedy of the purchaser, and, where permitted, liability for consequential or incidental damages under any and all warranties are excluded.



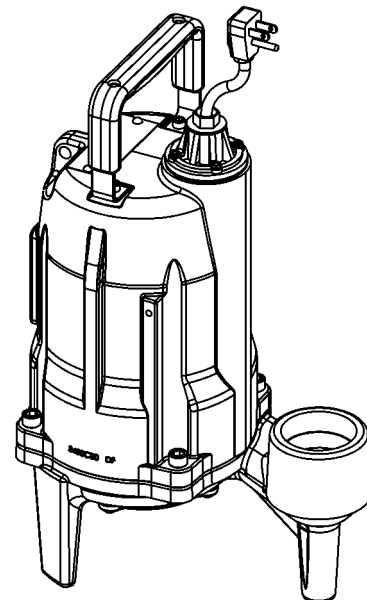
Bergen, NY 14416
Phone: (800) 543-2550
Fax: (585) 494-1839
www.libertypumps.com

Bombas trituradoras residenciales ProVore®

Modelos:

PRG101A	1 hp, 115 V, monofásica, interruptor automático, cordón eléctrico de 10 pies (3 m)
PRG101A-2	1 hp, 115 V, monofásica, interruptor automático, cordón eléctrico de 25 pies (3 m)
PRG101M	1 hp, 115 V, monofásica, cordón eléctrico de 10 pies (3 m)
PRG101M-2	1 hp, 115 V, monofásica, cordón eléctrico de 25 pies (8.3 m)
PRG102A	1 hp, 230V, monofásica, interruptor automático, cordón eléctrico de 10 pies (3 m)
PRG102A-2	1 hp, 230 V, monofásica, interruptor automático, cordón eléctrico de 25 pies (8.3 m)
PRG102M	1 hp, 230 V, monofásica, cordón eléctrico de 10 pies (3 m)
PRG102M-2	1 hp, 230 V, monofásica, cordón eléctrico de 25 pies (8.3 m)

***No tire ni pierda este manual.**



Índice

- Información general
- Introducción
- Instalación mecánica
- Conexión eléctrica
- Operación
- Diagnóstico de problemas
- Garantía

IMPORTANTE:

Antes de instalar la bomba, apunte el modelo, el número de serie y el código que aparecen en la placa de identificación de la bomba para que le sirvan de referencia en el futuro.

MODELO _____

No. SERIE _____

CÓDIGO _____

FECHA DE
INSTALACIÓN _____

Liberty Pumps®

7000 Apple Tree Avenue
Bergen, NY 14416
Teléfono: +1-800-543-2550
(Solo EE.UU.)
Fax: +1-585-494-1839
www.libertypumps.com



1. Información general

Lea con atención estas instrucciones antes de instalar la unidad. Todas las bombas de Liberty se someten individualmente a pruebas en fábrica para garantizar un funcionamiento adecuado. Siga estas instrucciones al pie de la letra para prevenir problemas de funcionamiento y asegurar años de servicio satisfactorio.

⚠ ADVERTENCIA

- **Riesgo de descarga eléctrica.** Desconecte la bomba de la fuente de alimentación siempre que vaya a manipularla o a realizar algún ajuste.
- Solo personal cualificado deberá encargarse de instalar las conexiones y cables eléctricos necesarios para montar la bomba.
- Esta unidad viene con un conductor de conexión a tierra y un enchufe de toma a tierra. Conecte la bomba a un tomacorriente a tierra debidamente conectado a tierra para evitar el riesgo de descargas eléctricas.
- NO derive los cables de puesta a tierra ni retire las clavijas a tierra de los enchufes.
- NO use cables de extensión.
- Con esta bomba hay que utilizar un circuito derivado independiente, debidamente conectado tierra y con fusibles adecuados. Asegúrese que la fuente de potencia tenga suficiente capacidad para cumplir los requisitos de voltaje y amperaje indicados en la placa de la bomba.
- El tomacorriente deberá encontrarse al alcance del cable de alimentación de la bomba y a 1.2 metros como mínimo por encima del piso para evitar problemas en caso de inundación.
- Se deberá instalar la unidad según las disposiciones del Código eléctrico nacional (NEC, por sus siglas en inglés), el Código unificado de plomería, el Código internacional de plomería, y todos los códigos y regulaciones locales que correspondan.
- Las bombas de drenaje y de alcantarillado a menudo manejan materiales capaces de provocar enfermedades. Use ropa protectora adecuada cuando trabaje en una bomba o una tubería usada.
- Nunca ingrese a una cubeta de bomba después que haya sido usada. Los sistemas de efluentes y de alcantarillado pueden emitir diferentes tipos de gases tóxicos.
- Manténgase alejado de la entrada de succión y de la salida de descarga. Para evitar lesiones, nunca introduzca los dedos en la bomba mientras ésta se encuentre conectada.
- NO use este producto para líquidos inflamables o corrosivos.
- NO use este producto en aplicaciones en las que el contacto humano con el fluido bombeado sea común (por ejemplo, piscinas, fuentes, etc.).
- NUNCA deseche por el drenaje materiales como solvente para pintura u otros químicos, ya que pueden llegar a atacar y dañar los componentes de la bomba y potencialmente causar que el equipo no funcione bien o deje de funcionar.
- NO haga funcionar la bomba seca; este producto está diseñado para estar parcialmente sumergido al operar.

⚠ PRECAUCIÓN

- La bomba no se debe utilizar con agua por encima de los 60° C (140 ° F).
- El Código uniforme de plomería (UPC) de Estados Unidos exige que todos los sistemas de saneamiento dispongan de una alarma visual y sonora que indique averías del sistema con el fin de evitar daños a la propiedad.
- Para las bombas de 115 V se recomienda un disyuntor de 20 A.

Modelo	HP	Voltios	Fase	Amperios a carga total	Descarga de la rosca hembra FNPT	Automático o manual*
PRG101A	1	115	1	12	5.08 cm (2 pulg.)	Automática
PRG101A-2	1	115	1	12	5.08 cm (2 pulg.)	Automática
PRG101M	1	115	1	12	5.08 cm (2 pulg.)	Manual
PRG101M-2	1	115	1	12	5.08 cm (2 pulg.)	Manual
PRG102A	1	230	1	6	5.08 cm (2 pulg.)	Automática
PRG102A-2	1	230	1	6	5.08 cm (2 pulg.)	Automática
PRG102M	1	230	1	6	5.08 cm (2 pulg.)	Manual
PRG102M-2	1	230	1	6	5.08 cm (2 pulg.)	Manual

* **Nota:** Los modelos manuales (con el sufijo "M") requieren un dispositivo o panel de control por separado, aprobado para funcionar automáticamente. El funcionamiento de estos modelos dependerá del control seleccionado. Asegúrese que las especificaciones eléctricas del control seleccionado correspondan con las especificaciones eléctricas de la bomba. Instale el panel de control según las instrucciones correspondientes.

2. Introducción

INTRODUCCIÓN

El propósito de este manual es ayudarle a instalar, operar y mantener la bomba Liberty de manera correcta. Léalo completamente antes de instalar el sistema. Antes de poner la bomba en funcionamiento, asegúrese de entender todo el contenido, incluidos los capítulos sobre instalación y operación.

Las bombas Liberty requieren un mantenimiento mínimo. Sin embargo, para que duren el mayor tiempo posible y funcionen sin problemas es importante revisarlos con regularidad.

GARANTÍA: Durante el período de garantía no se podrá llevar a cabo ninguna reparación sin la aprobación de la fábrica. De lo contrario, la garantía podría resultar nula.

NÚMERO DE SERIE: Incluya el número de serie de la bomba en los informes y demás correspondencia.

DISEÑO DE LA BOMBA



ADVERTENCIA

La bomba trituradora contiene piezas de metal que giran a gran velocidad. Tenga cuidado con la base de la máquina cuando la electricidad esté conectada. Cuando esté en funcionamiento, la bomba deberá encontrarse dentro del tanque o alejada de personas y cables.

1. La serie de bombas trituradoras Liberty ProVore® ha sido diseñada para funcionar continuamente bajo el agua. El motor y la bomba forman una unidad perfectamente acoplada y estanca. El motor de inducción está aislado contra calor y humedad con un aislamiento Clase B.
2. El devanado estatórico lleva un protector de sobrecarga térmica. Está conectado en serie y cableado de forma que se apague cuando se sobre calienta. El interruptor de sobrecarga se restablece automáticamente cuando se enfría el motor.
3. El motor está protegido contra la entrada de agua mediante un sello de cartucho mecánico con dos caras de carburo de silicio.
4. El rotor y la voluta están diseñados para producir un caudal óptimo y funcionar sin obstrucciones. Los discos endurecidos Trituran la materia sólida y fibrosa hasta convertirla en partículas pequeñas que pueden pasar con el reducido diámetro de las tuberías.
5. Consulte los códigos de plomería locales para informarse de los requisitos de ventilación del tanque en sistemas de saneamiento. La bomba no se deberá instalar en un lugar clasificado como peligroso por el Código eléctrico nacional (NEC) de Estados Unidos, ANSI/NFPA 70.

NOTA: El material básico de las bombas Liberty Serie PRG es hierro vaciado, elastómeros y Buna-N. No deben usarse para bombear líquidos corrosivos.

3. Instalación mecánica

INSPECCIÓN AL RECIBIR

Inspeccione inmediatamente la caja para comprobar si se ha producido algún daño durante el transporte. Tenga cuidado al abrir la caja para no dañar la bomba. Saque todo el embalaje de protección del interior de la caja.

Revise bien este embalaje antes de desecharlo para asegurarse de que no haya ninguna pieza de repuesto en él. Haga una inspección visual de la bomba y de las piezas de repuesto. Compruebe que no haya ningún cable dañado, especialmente a la salida del chasis del motor. Comuníquese con el Departamento de Servicio al Cliente de Liberty Pumps para informar de cualquier daño en un producto o en caso de faltar alguna pieza. La cortadora que se encuentra en la parte inferior de la unidad debe girarse varias veces con una llave hexagonal de 6 mm; debe girar libremente sin rozar la placa cortadora. Si el rotor y los discos están agarrotados debido a un prolongado período de almacenamiento, esta operación los soltará. Si no se rota manualmente el rotor antes de la instalación, es probable que no arranque la bomba. Si le es imposible o muy difícil girar el rotor, comuníquese con el Departamento de Servicio al Cliente de Liberty Pumps.

ALMACENAMIENTO ANTES DE USAR

Las bombas Liberty vienen ya listas de fábrica para su instalación y uso. Si la estación de bombeo no está terminada, tendrá que almacenar la bomba. Si necesita almacenar la bomba, no la saque de la caja en que se transportó. Guárdela en un almacén o caseta limpio y seco a temperatura estable y cubra la caja y el recipiente para protegerlos contra el agua, el polvo, etc. Proteja los extremos de los cables (enchufes) contra la humedad.



PRECAUCIÓN LA BOMBA NUNCA SE DEBERÁ ALMACENAR EN UN SUMIDERO INUNDADO SIN TERMINAR. SÓLO SE DEBERÁ COLOCAR EN EL SUMIDERO CUANDO SE PUEDA OPERAR CORRECTAMENTE.

ALMACENAMIENTO A LARGO PLAZO

1. Si hiciera falta almacenar la bomba durante un período prolongado, hágalo en un recinto cerrado limpio y seco a temperatura estable. Cubra la bomba para protegerla del polvo, la suciedad y el agua. También los enchufes se deberán proteger contra la humedad.
2. No deje que la unidad se congele.
3. Gire los sellos y los discos antes de instalar la bomba para verificar que giran sin dificultad.
4. Si la bomba está instalada y permanece inactiva durante un período de tiempo prolongado, se deberá poner en marcha una vez al mes a través del panel disyuntor para lubricar los sellos. Apague el disyuntor, desenchufe el interruptor en cascada y enchufe la bomba directamente en el tomacorriente de la pared. Encienda el disyuntor durante 30 segundos. Apague el disyuntor y vuelva a enchufar el interruptor en cascada.

4. La cubeta

La cubeta que se usa con sistemas efluentes y de saneamiento tiene que estar sellada y ventilada de acuerdo a los códigos de sanidad y fontanería. Estas bombas no se deberán instalar en un lugar clasificado como peligroso según el Código Eléctrico Nacional de Estados Unidos, ANSI/NFPA 70. El diámetro mínimo es de 5.48 m (18 pies) y la profundidad de 60.96 cm (24 pulg.). (Estos son los requisitos mínimos. Los códigos locales y el número de accesorios instalados en el sistema deberán servir de guía para decidir si se necesita una cubeta mayor en ambos tipos de aplicaciones. Si no está seguro del tamaño adecuado de la cubeta, compruebe con las autoridades locales o llame a Liberty Pumps.) La instalación se deberá realizar a una profundidad suficiente como para que todas las cañerías queden por debajo de la línea de penetración de la helada. Si esto no fuera posible, desmonte la válvula de retención y modifique el tamaño de la cubeta o ajuste el diferencial de la bomba para acomodar el contraflujo adicional.

- A. **Excavación:** Excave un hoyo tan pequeño como sea posible, dejando un espacio libre de alrededor de 20.32 cm (8 pulg.) como mínimo alrededor del tanque. No coloque la cubeta en contacto directo con rocas ni objetos cortantes. Instale gravilla fina de 0.33-1.90 cm (1/8-3/4 pulg.) o piedra pulverizada fina y lavada de 0.33-1.27 cm (1/8-1/2 pulg.) entre la cubeta y las paredes del hoyo. No utilice arena ni tierra del suelo como relleno. Compacte la superficie sobre la que se asentará la cubeta para que quede sólida y nivelada y pueda soportar el peso de la misma.
- B. **Conexión de la tubería de admisión y relleno inicial:** Instale gravilla fina de 0.33-1.90 cm (1/8-3/4 pulg.) o piedra pulverizada fina y lavada de 0.33-1.27 cm (1/8-1/2 pulg.) alrededor del fondo de la cubeta para sujetarla en su sitio. No utilice arena ni tierra del suelo como relleno. Instale las tuberías de admisión que necesite su modelo de cubeta.

Liberty P380 y P680: Las cubetas de la serie Liberty Pro tienen una conexión de admisión de 10.16 cm (4 pulg.) moldeada sobre el costado del tanque. Está hecha para conectar un manguito (no para bocas de admisión) de 10.16 cm. Conecte la línea de drenaje por gravedad de los accesorios a esta boca.

Otras cubetas: Otras cubetas Liberty llevan una boca de calafateo o un arandela para tuberías de 10.16 cm (4 pulg.). Con las bocas de admisión se utiliza material de calafateo o guarniciones de caucho, mientras que la tubería se conecta directamente en el caso de la arandela. Conecte la línea de drenaje por gravedad de los accesorios a esta admisión. (Existen otros tamaños de admisión. Consulte con la fábrica.)

- C. **Relleno final:** El relleno no debe contener rocas, terrones y otros objetos foráneos. Sólo se recomienda usar gravilla fina de 0.33-1.90 cm (1/4-3/4 pulg.) o piedra pulverizada fina y lavada de 0.33-1.27 (1/8-1/2 pulg.). No utilice arena ni tierra del suelo como relleno. Forme un ligero montículo con el relleno y deje que se asiente naturalmente. Deberá dejarse acceso a la tapa para tareas de mantenimiento y servicio.

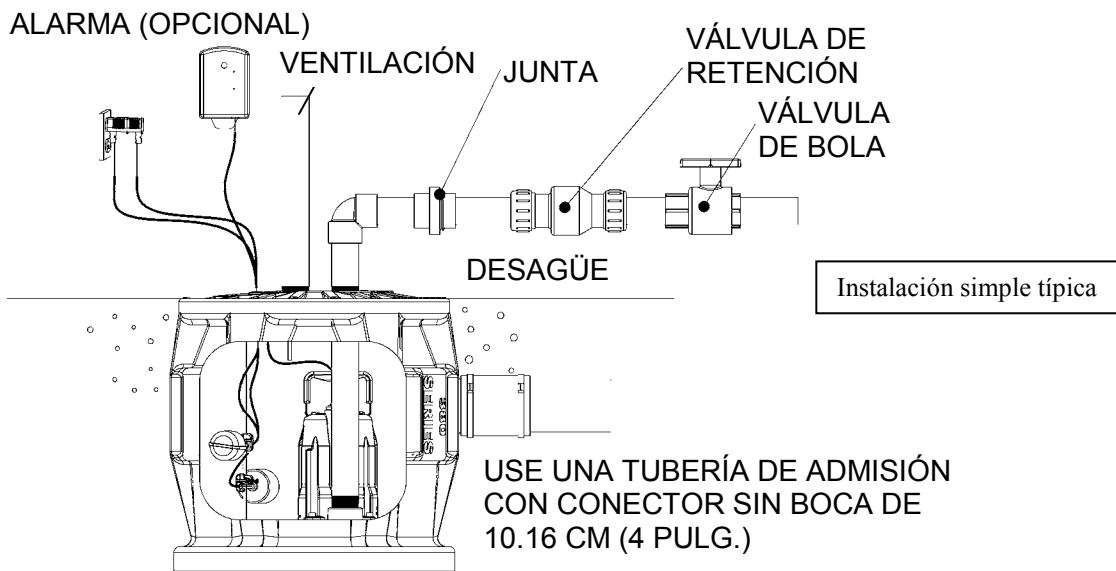


PRECAUCIÓN No ejerza una presión excesiva ni trabaje con equipo pesado encima del material de relleno, ya que esto podría hacer colapsar el tanque.

5. Instalación de la bomba

⚠ ADVERTENCIA LA BOMBA NO SE DEBERÁ INSTALAR EN UN LUGAR CLASIFICADO COMO PELIGROSO POR EL CÓDIGO ELÉCTRICO NACIONAL (NEC) DE ESTADOS UNIDOS, ANSI/NFPA 70.

Las bombas trituradoras se deberán instalar en un tanque ventilado según los códigos de plomería locales. La instalación se deberá realizar a una profundidad suficiente como para que todas las cañerías queden por debajo de la línea de penetración de la helada. Si esto no fuera posible, desmonte la válvula de retención y modifique el tamaño de la cubeta o ajuste el diferencial de la bomba para acomodar el contraflujo adicional. Consulte la información de fábrica sobre este procedimiento.



6. Servicio eléctrico y operación

⚠ ADVERTENCIA

- **Riesgo de descarga eléctrica.** Desconecte la bomba de la fuente de alimentación siempre que vaya a manipularla o a realizar algún ajuste.
- Solo personal cualificado deberá encargarse de instalar las conexiones y cables eléctricos necesarios para montar la bomba.
- Esta unidad viene con un conector a tierra y un enchufe con conexión a tierra. Para reducir el riesgo de electrocución, el conector de puesta a tierra tiene que estar conectado debidamente a un panel de control a tierra, o si cuenta con un enchufe a tierra tendrá que enchufarse a un tomacorriente conectado a tierra.
- NO derive los cables de puesta a tierra ni retire las espigas a tierra de los enchufes.
- NO quite el cordón ni la protección contra tirones, y no conecte canal para cables a la bomba.
- NO use cables de extensión.
- Con esta bomba, hay que utilizar un circuito derivado independiente conectado a tierra y con fusibles. La fuente de alimentación tendrá que tener suficiente capacidad para cumplir los requisitos de voltaje y amperaje del motor, indicados en la placa de la bomba.
- El tomacorriente o panel deberá encontrarse al alcance del cable de alimentación de la bomba y a 1.22 metros (4 pies) como mínimo por encima del piso para evitar problemas en caso de inundación.
- Se deberá instalar la unidad según las disposiciones del Código Eléctrico Nacional de Estados Unidos y todos los códigos y reglamentos locales que correspondan.

⚠ PRECAUCIÓN

Si la propiedad está expuesta a niveles altos de inundación, se debe instalar una alarma independiente que notifique niveles altos de agua. Para instalaciones vitales se recomienda un sistema de bombeo doble.

Todos los modelos “A” (bombas automáticas) vienen equipados con un interruptor de flotador montado en la bomba misma. Estos modelos vienen con dos cables: uno al interruptor de flotador y el otro al motor. El cable del interruptor cuenta con un interruptor en serie, o cascada, en el que se puede conectar el cable del motor (vea la figura 4).

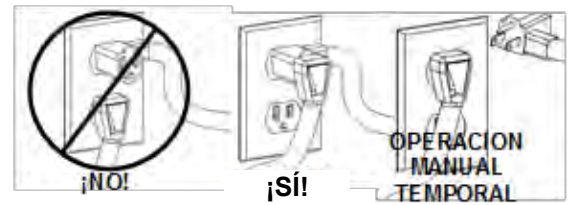


Figura 4 Instalación del enchufe en cascada

Esto permite la operación manual de la bomba. Tome en cuenta que la operación de encendido/apagado de la bomba se debe controlar con el disyuntor.

Si se quiere activar la operación automática con el interruptor de Liberty, se deberán interconectar los dos cables y enchufarse a un tomacorriente con conexión a tierra, con fusible independiente y el amperaje apropiado para el modelo. (Para conocer las especificaciones eléctricas de su modelo, consulte la Sección 1, información general, o la placa de identificación de la bomba.) Ambos cables cuentan con enchufes de 3 patas y se deben enchufar en un tomacorriente trifilar con toma a tierra. **NO DESMONTE LAS CLAVIJAS A TIERRA.**

Si falla el interruptor, el cable de la bomba se puede separar y enchufar en un tomacorriente, evitando de esta manera el interruptor. Las bombas monofásicas de 115 y 230 V se deben operar solamente sin el flotador por medio de un disyuntor o panel de desconexión. No deje que la bomba funcione en seco.

El nivel de encendido de los modelos A es de entre 30.48 y 40.64 cm. (12 a 16 pulg.) por encima del fondo de la cubeta. El nivel de apagado es de 15.24 cm (6 pulg.) por encima del fondo de la cubeta. Para obtener otros diferenciales de bombeo se puede amarrar el cable del interruptor a la tubería de desagüe. **NOTA:** Se requiere un cable de 8.89 cm (3.5 pulg.) desde el punto de amarre hasta la superficie superior del flotador para que el interruptor funcione correctamente. Si se va a utilizar un diferencial distinto al de fábrica, se deberá ajustar de forma que la bomba se apague cuando queden 15.24 cm (6 pulg.) como mínimo de líquido en la cubeta para que el rotor permanezca sumergido en todo momento.

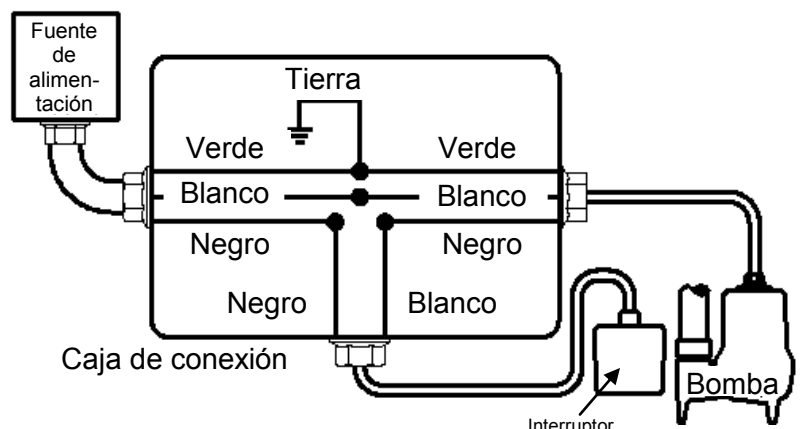
Las bombas de la Serie PRG con la designación “M” son modelos manuales sin interruptor. Funcionan con un control de nivel de líquido o control de motor aprobado con el valor nominal correcto que corresponda con la entrada del motor en amperios a carga total. Los modelos trifásicos requieren un control de motor aprobado que corresponda con la entrada del motor en amperios a carga total con elementos de sobrecarga seleccionados o ajustados según las instrucciones del control.

Operación automática con dispositivos de control opcionales: Si la bomba va a funcionar con un panel de control simple o doble u otro dispositivo de control opcional, siga las instrucciones de instalación incluidas con su control específico y establezca las conexiones eléctricas indicadas. Algunos modelos pueden funcionar sin un control independiente. Las bombas monofásicas de 230 V sólo se deben operar sin el flotador con un disyuntor o panel de desconexión. No deje que la bomba funcione en seco.

Modelos ProVore® “A” y “M”: Si la bomba va a estar cableada directamente a un dispositivo de control o caja de conexión y se hace necesario retirar los enchufes, la labor la deberá llevar a cabo un electricista certificado según el Código eléctrico nacional de Estados Unidos y los códigos locales. Vea la figura 5 para encontrar instrucciones para cablear directamente una bomba automática monofásica.

⚠ ADVERTENCIA

En instalaciones de 230 V, uno de los extremos de la línea que va a la bomba está siempre activo mientras que el flotador se encenderá y se apagará. Instale un desconectador bipolar cerca de la bomba para no correr riesgos.



Cableado directo de las bombas monofásicas automáticas de 115 V o 230 V

ANTES DE ENERGIZAR LA UNIDAD

1. Apriete todas las conexiones realizadas sobre el terreno. Apriete todas las conexiones de fábrica. Existe la posibilidad de que se hayan aflojado durante el transporte.
2. Compruebe que la tornillería de montaje esté segura.
3. Compruebe que el chasis no haya sufrido desperfectos que pudieran reducir el espacio eléctrico.
4. Gire la moleta con el tornillo de cabeza hexagonal para verificar el movimiento y lubricar los sellos.
5. Compruebe que no haya cables ni ningún otro obstáculo en la carrera de la moleta.
6. **PROTECCIÓN CONTRA SOBRECARGA DEL MOTOR:** El motor viene con un protector de sobrecarga térmica que lo protege en caso de que se bloquee el rotor o se produzca una sobrecarga. No se necesita ningún ajuste.
7. Compruebe que todas las conexiones a tierra estén correctamente establecidas.

Si se va a usar un panel, retire del interior los trozos de cable y otros restos que hubiera antes de cerrar las puertas. Instale las cubiertas y cierre las puertas después de revisar que no haya cables pillados y que todas las piezas estén bien apretadas y alineadas.



ADVERTENCIA

EL PROCESO DE ENERGIZAR UN PANEL O DISYUNTOR POR PRIMERA VEZ PUEDE SER PELIGROSO. A LA HORA DE LLEVAR A CABO ESTA OPERACIÓN POR PRIMERA VEZ DEBERÁ HABER UN ELECTRICISTA CALIFICADO PRESENTE. SI EXISTE UNA FALLA DEBIDO A UN DESPERFECTO O A UNA INSTALACIÓN INCORRECTA Y NO SE DETECTA A TIEMPO, SE PUEDEN PRODUCIR DAÑOS GRAVES AL APLICAR LA ELECTRICIDAD (CONSULTE LA SECCIÓN 5).

INTERRUPTOR DE FLOTADOR

1. Los ciclos de la bomba suelen estar controlados por un interruptor de flotador en cascada instalado en el lateral de la bomba o por un interruptor colgante en el sumidero inundado. Consulte las instrucciones del panel o interruptor antes de realizar las conexiones eléctricas.

SECUENCIA DEL FLOTADOR-INTERRUPTOR EN CASCADA (MODELOS AUTOMÁTICOS)

1. El flotador se va inclinando a medida que sube el nivel del sumidero inundado, con lo que cierra el interruptor. Esto hace arrancar la bomba.
2. La bomba seguirá funcionando hasta que el nivel de líquido caiga por debajo del nivel de apagado establecido (fijado en fábrica a un mínimo de 17.77 cm/6 pulg.).

SECUENCIA DEL FLOTADOR-PANEL DE CONTROL SIMPLE (MODELOS MANUALES)

1. El flotador de apagado se va inclinando a medida que sube el nivel del sumidero inundado, con lo que cierra el interruptor. (El nivel debe estar a 17.77 cm/6 pulg. como mínimo). A medida que va subiendo el líquido, el flotador de encendido se empieza a inclinar. El interruptor se cierra y la bomba arranca.
2. La bomba sigue funcionando hasta que el nivel cae por debajo del flotador de apagado, con lo que se vacía el sumidero.
3. Si falla el interruptor, el relevo de control o la bomba, la subida del nivel de líquido hará que el flotador de alarma se incline y el sistema de alarma se activará.

SECUENCIA DEL FLOTADOR-PANEL DE CONTROL DOBLE (MODELOS MANUALES)

1. El flotador se va inclinando a medida que sube el nivel del sumidero inundado, con lo que cierra el interruptor. A medida que va subiendo el líquido, el flotador de encendido principal se empieza a inclinar. El interruptor se cierra y la bomba principal arranca. La bomba sigue funcionando hasta que el nivel cae por debajo del flotador de apagado (17.77 cm/6 pulg. como mínimo), con lo que se vacía el sumidero.
2. Cuando vuelva a subir el nivel, la otra bomba arrancará con la señal de encendido principal. Las bombas alternarán sus ciclos de esta manera.

NOTA: Nunca se debe configurar el diferencial del interruptor de flotador de encendido por encima de los 12 arranques por hora.

3. Si el nivel sube por encima del flotador de encendido de retardo, arrancará la segunda bomba. Ambas bombas funcionarán hasta que el nivel vuelva a caer por debajo del flotador de apagado, con lo que se vaciará el sumidero.
4. Si falla el interruptor, el relevo de control o la bomba, la subida del nivel de líquido hará que el flotador de alarma se incline y el sistema de alarma se activará.

INSTALACIÓN DEL INTERRUPTOR DEL FLOTADOR

Los dibujos técnicos suelen especificar los niveles a los que la bomba arranca y se detiene y el nivel de alarma. Si no se especifica lo contrario, la información siguiente deberá servir para determinar la ubicación de los interruptores de flotador.

INTERRUPTOR EN CASCADA

(sistema de 1 flotador)

Bomba apagada: Ajustado en fábrica. (varilla del flotador 10.16 cm /3.5 pulg.)

Bomba encendida: Ajustado en fábrica. (varilla del flotador 10.16 cm /3.5 pulg.)

ESTACIÓN DE BOMBA SIMPLE

(sistema de 3 flotadores)

Bomba apagada: Nivel hasta la parte superior del chasis.

Bomba encendida: Mínimo 45.72 cm (1.5 pies) por arriba del nivel de la bomba apagada.

Alarma de nivel alto: Mínimo de 30.48 cm (1 pie) por arriba del nivel de la bomba encendida.
Por debajo de tubería de entrada.

ESTACIÓN DE BOMBAS DÚPLEX

(sistema de 4 flotadores)

Bomba apagada: Nivel hasta la parte superior del chasis.

Bomba principal encendida: Mínimo 45.72 cm (1.5 pies) por arriba del nivel de la bomba apagada.

Segunda bomba encendida: Mínimo de 30.48 cm (1 pie) por arriba del nivel de la bomba principal encendida.

Alarma de nivel alto: Mínimo de 30.48 cm (1 pie) por arriba del nivel de la segunda bomba encendida. Por debajo de tubería de entrada.

7. **Operación**

OPERACIÓN

Una vez se haya completado la instalación eléctrica y mecánica, la bomba estará lista para su uso. No se requiere ningún procedimiento especial excepto aplicar la potencia nominal a la bomba. No existe ningún procedimiento de apagado excepto desconectar la alimentación.

! PRECAUCIÓN

SI LA ROTACIÓN DE UNA FASE DE LA BOMBA ES INCORRECTA, NOTIFIQUE AL DEPARTAMENTO DE SERVICIO DE LIBERTY INMEDIATAMENTE. NO CAMBIE LOS HILOS DE ALIMENTACIÓN. NO ENCIENDA LA BOMBA.

! ADVERTENCIA

COMPRUEBE SIEMPRE QUE NO HAYA CABLES SUELTOS Y OTRAS OBSTRUCCIONES QUE PUDIERAN CAUSAR LESIONES PERSONALES O DESPERFECTOS.

MANTENIMIENTO Y LUBRICACIÓN PERIÓDICOS

Las bombas Liberty han sido diseñadas para ofrecer un servicio eficiente y confiable con un mínimo de mantenimiento preventivo. Estas tareas de mantenimiento son pocas pero muy importantes para asegurar años de servicio satisfactorio.

LUBRICACIÓN

La bomba tiene lubricación permanente y es enfriada por el aceite de la turbina. Si se requiere cambiar el aceite, use aceite para turbina ISO-10. Capacidad: 1.9 litros (0.5 galones).

8. Mantenimiento y diagnóstico de problemas

ADVERTENCIA

Riesgo de descarga eléctrica. Desconecte la bomba de la fuente de alimentación siempre que vaya a manipularla o a realizar algún ajuste.

La bomba tiene un chasis de motor lleno de aceite; drene el aceite antes de quitar los cuatro tornillos de la cubierta.

Problema	Causa	Solución
La bomba no funciona.	<ul style="list-style-type: none"> Se ha fundido un fusible o el flujo eléctrico se ha interrumpido de algún otro modo; voltaje incorrecto. 	<ul style="list-style-type: none"> Compruebe que la unidad esté bien conectada. Pida a un electricista que compruebe las conexiones adecuadas del cableado, y la capacidad y el voltaje adecuados.
	<ul style="list-style-type: none"> El interruptor no puede cambiar a la posición de encendido debido a una interferencia con el lateral del tanque u otra obstrucción. 	<ul style="list-style-type: none"> Coloque la bomba o el interruptor de forma que cuente con suficiente espacio para funcionar libremente.
	<ul style="list-style-type: none"> Líquido insuficiente. 	<ul style="list-style-type: none"> El líquido debe subir lo suficiente como para activar el interruptor.
	<ul style="list-style-type: none"> Interruptor defectuoso. 	<ul style="list-style-type: none"> Reemplace el interruptor.
La bomba no se apaga.	<ul style="list-style-type: none"> El interruptor no puede cambiar a la posición de apagado debido a una interferencia con el lateral del tanque u otra obstrucción. 	<ul style="list-style-type: none"> Coloque la bomba o el interruptor de forma que cuente con suficiente espacio para funcionar libremente.
	<ul style="list-style-type: none"> Interruptor defectuoso. 	<ul style="list-style-type: none"> Reemplace el interruptor.
La bomba funciona o zumba pero no bombea.	<ul style="list-style-type: none"> La descarga está atascada. 	<ul style="list-style-type: none"> Compruebe que no haya atascos en la línea de descarga, como puede ser hielo si la línea pasa por áreas frías.
	<ul style="list-style-type: none"> Compruebe que la válvula no se haya quedado cerrada o esté instalada al revés. 	<ul style="list-style-type: none"> Saque la válvula de retención y asegúrese de que funciona sin impedimentos y que haya sido instalada correctamente.
	<ul style="list-style-type: none"> La válvula de compuerta o la de bola está cerrada. 	<ul style="list-style-type: none"> Abra la válvula de compuerta o la de bola.
	<ul style="list-style-type: none"> La elevación total es superior a la capacidad de la bomba. 	<ul style="list-style-type: none"> Dirija las tuberías a una altura inferior. Si esto no es posible, necesitará adquirir otra bomba de mayor capacidad. Consulte a la fábrica.
	<ul style="list-style-type: none"> El rotor de la bomba está atascado o la cubierta de voluta está taponada. 	<ul style="list-style-type: none"> Quite la bomba de la cubeta, quite el cortador y la placa del cortador; limpie la zona alrededor del rotor. Monte la bomba y vuélvala a instalar. El tornillo central utiliza una llave hexagonal de 6 mm. El tornillo se puede calentar para quitar el compuesto que bloquea roscas
La bomba se activa cuando la maquinaria no está en uso.	<ul style="list-style-type: none"> No hay instalada una válvula de retención, se queda abierta o tiene una fuga. 	<ul style="list-style-type: none"> Saque la válvula de retención y asegúrese de que funciona sin impedimentos y que haya sido instalada correctamente.
	<ul style="list-style-type: none"> Las piezas gotean. 	<ul style="list-style-type: none"> Repare las piezas para eliminar las fugas.
La bomba hace demasiado ruido.	<ul style="list-style-type: none"> Material foráneo en la cavidad del rotor. 	<ul style="list-style-type: none"> Quite la bomba de la cubeta, quite el cortador y la placa del cortador; limpie la zona alrededor del rotor. Monte la bomba y vuélvala a instalar. El tornillo central utiliza una llave hexagonal de 6 mm. El tornillo se puede calentar para quitar el compuesto que bloquea roscas
	<ul style="list-style-type: none"> Rotor roto. 	<ul style="list-style-type: none"> La fábrica le puede informar sobre cómo reemplazar el rotor.
	<ul style="list-style-type: none"> Cojinetes desgastados. 	<ul style="list-style-type: none"> Envíe la bomba a reparar a la fábrica o a un centro de reparación autorizado.
	<ul style="list-style-type: none"> Las conexiones de las tuberías al edificio son demasiado rígidas. 	<ul style="list-style-type: none"> Cambie una parte de la línea de descarga con una manguera o conector de caucho.

9. **Garantía limitada de 3 años**

Liberty Pumps, Inc. garantiza que las bombas que fabrica están libres de defectos en los materiales y la mano de obra por un período de 3 años a partir de la fecha de compra. La fecha de compra se determinará con el recibo de compra fechado, que incluya el modelo y el número de serie de la bomba. Este recibo deberá acompañar a la bomba si la fecha de devolución ocurre más de 3 años después de la fecha de fabricación (código-CODE) indicada en la placa de identificación de la unidad.

Las obligaciones del fabricante bajo esta garantía se limitan a la reparación o el reemplazo de las piezas que el fabricante determine defectuosas, siempre que la pieza o el ensamblaje se devuelva al fabricante o a uno de sus centros de servicio autorizados con el porte pagado y que no se evidencie ninguna de las siguientes características, lo que supondría la anulación de la garantía.

El fabricante no tendrá obligación alguna bajo esta garantía si el producto no ha sido instalado correctamente; si ha sido desmontado, modificado, abusado o forzado; si el cable eléctrico se ha cortado, dañado o empalmado; si se redujo el tamaño de la descarga de la bomba; si la bomba se usó con agua más caliente de la temperatura nominal, o agua con arena, cal, cemento, grava u otros elementos abrasivos; si la bomba ha sido utilizada para bombear químicos o hidrocarburos; si un motor no sumergible ha sido sometido a un exceso de humedad; o si se ha retirado la etiqueta con el número de serie y de código. Liberty Pumps, Inc. no se hace responsable de pérdidas, daños o gastos causados por la instalación o uso de sus productos, o por daños consiguientes, incluidos los costos de desmontaje, reinstalación o transporte de la unidad.

No se ofrece ninguna otra garantía expresa. Todas las garantías implícitas, incluidas las de comerciabilidad y adecuación para un propósito determinado, están limitadas a un plazo de tres años a partir de la fecha de compra.

Esta garantía contiene el resarcimiento exclusivo del comprador y, donde sea permitido, se excluye toda responsabilidad por daños secundarios y consiguientes bajo cualquier otra garantía.



7000 Apple Tree Avenue
Bergen, NY 14416
Teléfono: +1-800-543-2550
(Solo EE.UU.)
Fax: +1-585-494-1839
www.libertypumps.com

Pompes broyeuses résidentielles ProVore^{MD}

Modèles :

PRG101A	1 hp, 115V, monophasée, interrupteur automatique, cordon d'alimentation de 3 m (10 pi)
PRG101A-2	1 hp, 115V, monophasée, interrupteur automatique, cordon d'alimentation de 3 m (25 pi)
PRG101M	1 hp, 115V, monophasée, cordon d'alimentation de 3 m (10 pi)
PRG101M-2	1 hp, 115V, monophasée, cordon d'alimentation de 3 m (25 pi)
PRG102A	1 hp, 230V, monophasée, interrupteur automatique, cordon d'alimentation de 3 m (10 pi)
PRG102A-2	1 hp, 230V, monophasée, interrupteur automatique, cordon d'alimentation de 3 m (25 pi)
PRG102M	1 hp, 230V, monophasée, cordon d'alimentation de 3 m (10 pi)
PRG102M-2	1 hp, 230V, monophasée, cordon d'alimentation de 3 m (25 pi)

***Ne pas jeter ni perdre ce manuel.**

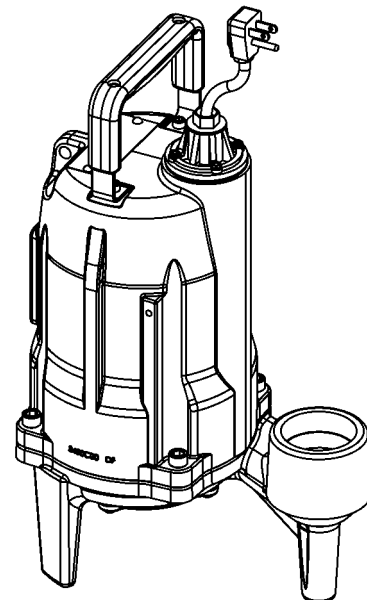


Table des matières

- Renseignements généraux
- Introduction
- Installation mécanique
- Raccordement électrique
- Fonctionnement
- Guide de dépannage
- Garantie

IMPORTANT :

Avant l'installation, noter les numéros de modèle, de série et de code qui figurent sur la plaque signalétique pour éventuellement s'y référer.

N° de MODÈLE _____

N° de SÉRIE _____

CODE _____

DATE D'INSTALLATION _____

Liberty Pumps®

7000 Apple Tree Avenue
Bergen (NY) 14416, É.-U.
Téléphone : 1 800 543-2550
Télécopieur : 585 494-1839
www.libertypumps.com



1. Renseignements généraux

Lire attentivement les directives avant d'effectuer l'installation. Chaque pompe de marque Liberty est testée individuellement en usine pour assurer un bon fonctionnement. Le fait de suivre ces directives à la lettre éliminera les risques de dysfonctionnement et assurera des années de fonctionnement sans soucis.

MISE EN GARDE

- **Danger d'électrocution.** Toujours débrancher la pompe de l'alimentation électrique avant de la manipuler ou d'y effectuer des réglages.
- Les raccords électriques et le câblage pour l'installation de la pompe ne devraient être effectués que par des professionnels qualifiés.
- Cette pompe est fournie avec un conducteur de mise à la terre et une fiche de branchement de type mise à la terre. Afin de réduire les dangers d'électrocution, s'assurer que la pompe est raccordée seulement à une prise correctement mise à la terre.
- NE PAS dévier les fils de mise à la terre ou retirer la broche de mise à la terre des fiches de branchement.
- NE PAS utiliser de rallonge électrique.
- Cette pompe nécessite un circuit de dérivation dédié correctement protégé par un fusible et mis à la terre. S'assurer que la tension et l'intensité du courant électrique de la source d'alimentation électrique sont suffisantes pour répondre aux exigences de la pompe, telles qu'indiquées sur la plaque signalétique.
- La prise électrique doit se trouver à la portée du cordon d'alimentation de la pompe et à au moins 1,2 m (4 pi) au-dessus du niveau du plancher pour minimiser les dangers liés à une inondation.
- L'installation doit être faite en respectant le Code national de l'électricité, le Uniform Plumbing Code, le Code international de plomberie ainsi que tous les codes locaux et règlements en vigueur.
- Les pompes d'assèchement et de système d'égout traitent souvent des matières pouvant causer des maladies. Porter des vêtements protecteurs adéquats pour manipuler une pompe ou de la tuyauterie ayant déjà servi.
- Ne jamais pénétrer dans le réservoir de pompage après qu'il ait servi. Les égouts et effluents peuvent émettre des gaz toxiques.
- Demeurer à l'écart des orifices d'aspiration et d'évacuation. Afin de prévenir les blessures, ne jamais insérer les doigts dans la pompe alors qu'elle est branchée.
- NE PAS utiliser ce produit pour pomper des liquides inflammables ou corrosifs.
- NE PAS utiliser ce produit pour les installations où le contact humain avec les liquides pompés est fréquent (piscines, fontaines, etc.)
- NE JAMAIS disposer de matériaux comme du solvant à peinture ou d'autres produits chimiques en les vidant dans l'avaloir, car ils peuvent attaquer chimiquement et endommager les composants de la pompe, causant éventuellement son mauvais fonctionnement ou sa défaillance.
- NE PAS laisser la pompe fonctionner à sec, ce produit est destiné à être en partie submergé pendant son fonctionnement.

AVERTISSEMENT

- Ne pas utiliser ces pompes dans de l'eau dont la température est supérieure à 60 °C (140° F)
- Le Uniform Plumbing Code (UPC, Code de plomberie universel) indique que les systèmes d'égout doivent être munis d'une d'alarme sonore et visuelle qui signale tout mauvais fonctionnement du système, afin de réduire les risques de dommages à la propriété.
- On recommande un disjoncteur de 20 ampères pour les pompes 115 V.

Modèle	HP	Volts	Phase	Intensité maximale	FNPT d'évacuation	Automatique ou manuel*
PRG101A	1	115	1	12	2 po	Automatique
PRG101A-2	1	115	1	12	2 po	Automatique
PRG101M	1	115	1	12	2 po	Manuel
PRG101M-2	1	115	1	12	2 po	Manuel
PRG102A	1	230	1	6	2 po	Automatique
PRG102A-2	1	230	1	6	2 po	Automatique
PRG102M	1	230	1	6	2 po	Manuel
PRG102M-2	1	230	1	6	2 po	Manuel

* **Remarque :** Les modèles manuels (suffixe « M ») nécessitent un dispositif ou un panneau indépendant de commande de pompe approuvé pour fonctionner automatiquement. Le fonctionnement de ces modèles variera en fonction du dispositif de commande choisi. S'assurer que les caractéristiques électriques du dispositif de commande choisi correspondent bien aux caractéristiques de la pompe. Toujours se référer aux directives d'installation du panneau.

2. Introduction

INTRODUCTION

Ce manuel est destiné fournir les renseignements nécessaires à l'installation, l'utilisation et l'entretien de la pompe Liberty. Il est recommandé de lire entièrement les directives avant d'installer la pompe. S'assurer d'être familier avec le contenu et de bien comprendre les chapitres relatifs à l'installation et l'utilisation de la pompe avant de la faire fonctionner.

Les pompes Liberty sont conçues pour ne nécessiter qu'un entretien minimal. Toutefois, des vérifications régulières assureront une plus grande durabilité et une meilleure fiabilité d'utilisation.

GARANTIE : Aucun travail de réparation ne devrait être effectué au cours de la période de garantie avant d'avoir obtenu l'autorisation préalable du fabricant. Une telle situation annulerait la garantie.

N° DE SÉRIE : S'assurer que le numéro de série de la pompe figure dans toute la correspondance et les rapports.

CONCEPTION DE LA POMPE



MISE EN GARDE

La pompe broyeuse contient des pièces de métal qui tournent à des vitesses élevées. Faire preuve de prudence à proximité de la pompe lorsque celle-ci est sous tension. S'assurer que la pompe est bien dans le réservoir ou qu'aucune personne ni aucun câble ne se trouvent à proximité lorsque celle-ci fonctionne.

1. Les pompes broyeuses Liberty de série ProVore^{MD} sont conçues pour fonctionner de manière continue sous l'eau. Le moteur et la pompe forment un appareil étanche à couplage direct. Le moteur à induction est isolé contre la chaleur et l'humidité, conformément aux normes de classe B.
2. Un dispositif de protection thermique contre les surcharges est intégré aux enroulements du stator. Il est raccordé en série et branché de manière à s'éteindre en cas de surchauffe. L'interrupteur de surcharge se réinitialise automatiquement lorsque le moteur refroidit.
3. Le moteur est protégé contre les dommages causés par l'introduction d'eau par une cartouche d'étanchéité mécanique comportant deux côtés en carbure de silicium.
4. Le compresseur et la sortie sont conçus pour une utilisation sans obstruction et comportent des caractéristiques d'écoulement efficaces. Les lames solidifiées broient les matières solides et fibreuses en petites particules pouvant être pompées de manière sécuritaire au travers des conduits de petit diamètre.
5. Pour les systèmes d'égout, consulter les codes de plomberie relativement aux exigences relatives à la ventilation du réservoir. Cette pompe ne doit pas être installée dans un endroit classé dangereux selon la norme ANSI/NFPA 70 du NEC.

REMARQUE : Les pompes Liberty de la série PRG sont principalement fabriquées de fonte, les élastomères sont faits de caoutchouc nitrile. Elles ne doivent pas servir à pomper des liquides corrosifs.

3. Installation mécanique

INSPECTION À LA RÉCEPTION

Le contenant d'expédition devrait être inspecté immédiatement afin de s'assurer qu'aucun dommage ne s'est produit au cours de l'expédition. Faire attention lors de l'ouverture du contenant d'expédition afin d'éviter d'endommager la pompe. Retirer tout matériel de bourrage et de calage du contenant.

Avant de jeter le matériel de bourrage, vérifier s'il ne s'y trouve pas de petites pièces. Inspecter visuellement la pompe et toute pièce de rechange afin de s'assurer que celles-ci ne comportent aucun dommage. Inspecter les cordons électriques pour voir s'ils sont endommagés, particulièrement à l'endroit où ils sortent du caisson moteur. Communiquer avec le service à la clientèle de Liberty Pumps pour signaler tout dommage ou toute pièce manquante. À l'aide d'une clé hexagonale de 6 mm, faire faire plusieurs rotations au couteau situé au fond de l'appareil pour vérifier s'il tourne librement sans frotter sur la plaque de coupe. Ceci assurera que le rotor et la lame ne sont pas grippés en raison de l'entreposage prolongé. Si on néglige de faire tourner le rotor manuellement avant son installation, la pompe pourrait ne pas démarrer. Si la rotation du rotor se fait difficilement ou est complètement impossible, communiquer avec le service à la clientèle de Liberty Pumps.

ENTREPOSAGE AVANT UTILISATION

Les pompes Liberty sont expédiées de l'usine prêtes à être installées et utilisées. Elles devraient être entreposées si la station de pompage n'est pas complète. S'il est nécessaire d'entreposer la pompe, celle-ci doit demeurer dans son contenant d'expédition. Elle devrait être conservée dans un entrepôt ou une remise, dans un endroit propre, sec et dont la température est stable. Il faut couvrir la pompe et son contenant pour les protéger de l'eau, de la saleté, de la poussière, etc. L'extrémité des câbles (fiches) doit être protégée contre l'humidité.



AVERTISSEMENT

LA POMPE NE DEVRAIT JAMAIS ÊTRE ENTREPOSÉE DANS UN PUISARD NON ACHÉVÉ. LA POMPE NE DOIT PAS ÊTRE DÉPOSÉE DANS LE PUISARD TANT QU'ELLE N'EST PAS COMPLÈTEMENT OPÉRATIONNELLE.

ENTREPOSAGE PROLONGÉ

1. S'il est nécessaire d'entreposer une pompe pour une période prolongée, elle devrait être conservée à l'intérieur dans un environnement propre et sec dont la température est stable. La pompe devrait être recouverte afin de la protéger de la poussière, de la saleté et de l'eau. La fiche du cordon d'alimentation doit être protégée contre l'humidité.
2. Ne pas laisser la pompe geler.
3. Avant d'effectuer l'installation, on devrait faire pivoter le moteur de la pompe pour s'assurer que les joints et les lames tournent librement.
4. Les pompes installées qui ne fonctionnent pas pendant des périodes prolongées devraient être démarrées manuellement une fois par mois au moyen du panneau disjoncteur afin de lubrifier les joints. Pour éteindre le disjoncteur, débrancher l'interrupteur siamois et brancher la pompe directement dans la prise murale. Allumer le disjoncteur pendant 30 secondes. Éteindre le disjoncteur et rebrancher ensuite l'interrupteur siamois.

4 Le bassin

Le bassin nécessaire pour les utilisations de pompage d'effluents et d'eau d'égout doit être étanche et ventilé afin de respecter les normes des codes de plomberie et de santé publique. Cette pompe ne doit pas être installée dans un endroit classé dangereux selon la norme ANSI/NFPA 70 du NEC. Il est nécessaire que le bassin ait un diamètre minimum de 45,7 cm (18 po) et une profondeur minimum de 61 cm (24 po). (Il s'agit d'exigences minimales. Il peut être nécessaire d'installer un plus grand bassin pour le pompage d'effluents ou d'égout, en fonction des codes locaux et du nombre d'accessoires qui sont raccordés au système. Vérifier auprès des autorités réglementaires locales ou communiquer avec Liberty Pumps en cas de doute au sujet de la taille du bassin qui convient.) L'installation doit être suffisamment profonde pour assurer que toute la plomberie se trouve sous la profondeur maximale de la pénétration du gel. Si c'est impossible, retirer le clapet antiretour et corriger la taille du bassin et/ou ajuster le différentiel du compartiment pour recevoir le volume supplémentaire de refoulement d'eau.

- A. **Excavation** : Creuser le trou le plus petit possible, avec un dégagement minimum recommandé de 20,32 cm (8 po) autour du réservoir. Ne jamais placer le bassin directement en contact avec des roches ou d'autres objets contondants. Placer uniquement du concassé fin lavé de 3 à 19 mm (1/8 à 3/4 po) ou 3 à 13 mm (1/8 à 1/2 po) comme matériau de remplissage entre le bassin et les parois du trou. Ne pas utiliser de sable ni de terre d'origine pour remplir le trou. Compacter adéquatement le sol sous le bassin afin de fournir une base solide et bien au niveau capable de supporter le poids du bassin, une fois rempli.
- B. **Raccord d'admission et remplissage initial** : Utiliser uniquement du concassé fin lavé de 3 à 19 mm (1/8 à 3/4 po) ou 3 à 13 mm (1/8 à 1/2 po) entre le fond du trou et le bassin pour le maintenir en place. Ne pas utiliser de sable ni de terre d'origine pour remplir le trou. Raccorder l'arrivée des eaux usées au bassin selon les besoins.

Liberty P380 et P680 : Les bassins Liberty de la série Pro sont munis d'une ouverture d'admission de 4 po moulée dans le côté du réservoir. La dimension de cette entrée est faite pour convenir à un raccordement de 4 po sans emboîtement. Raccorder la canalisation d'écoulement provenant des accessoires à ce raccord.

Autres bassins : Les autres bassins de Liberty sont munis d'un emboîtement étanche ou d'un œillet à tuyau de 4 po. Ces emboîtements comprennent un matériau à calfeutrer ou un anneau de caoutchouc; les œillets sont munis d'un ajustement glissant. Raccorder la canalisation d'écoulement provenant des accessoires à cette ouverture. (Il existe d'autres dimensions d'entrées; consulter le fabricant.)

- C. **Remplissage final** : On ne doit pas laisser de grosses roches, des mottes et d'autres corps étrangers dans le matériau de remplissage. Seul le concassé fin lavé de 3 à 19 mm (1/8 à 3/4 po) ou 3 à 13 mm (1/8 à 1/2 po) est recommandé comme matériau de remplissage. Ne pas utiliser de sable ni de terre d'origine pour remplir le trou. Faire un petit monticule avec le matériau de remplissage, afin de le laisser se tasser naturellement. Prévoir un accès au couvercle du bassin pour les travaux d'entretien et de réparation.



AVERTISSEMENT

Ne pas exercer de pression importante ni utiliser de matériel lourd sur le matériau de remplissage, car cela pourrait causer l'affaissement du réservoir.

5 Installation de la pompe

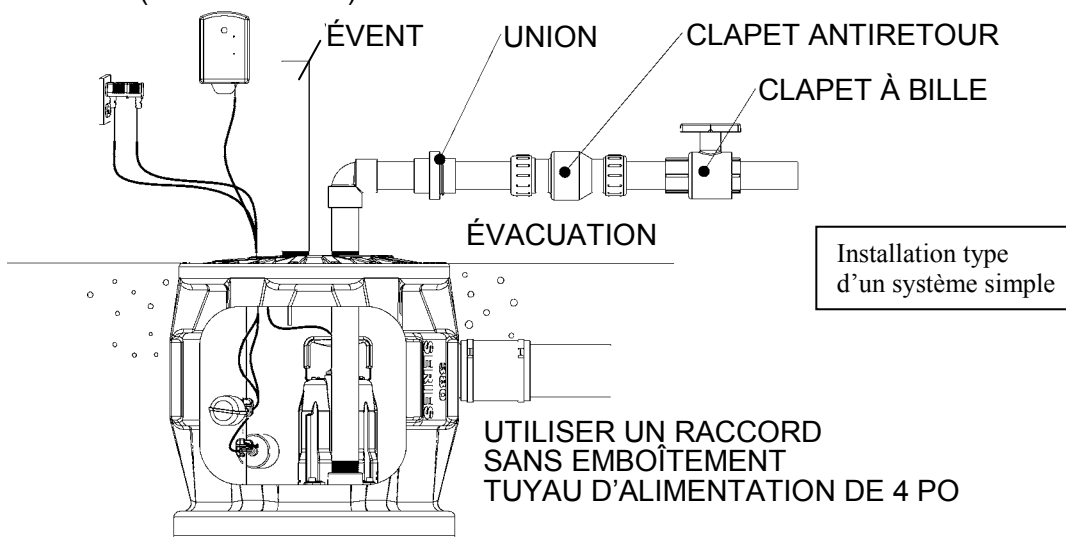
⚠ MISE EN GARDE

CETTE POMPE NE DOIT PAS ÊTRE INSTALLÉE DANS UN ENDROIT CLASSÉ DANGEREUX SELON LA NORME ANSI/NFPA 70 DU NEC.

Les pompes broyeuses doivent être installées dans un réservoir dont la ventilation est conforme aux codes locaux de plomberie.

L'installation doit être suffisamment profonde pour assurer que toute la plomberie se trouve sous la profondeur maximale de la pénétration du gel. Si c'est impossible, retirer le clapet antiretour et corriger la taille du bassin et/ou ajuster le différentiel du compartiment pour recevoir le volume supplémentaire de refoulement d'eau. Consulter le fabricant pour plus de détails sur la manière de procéder.

ALARME (FACULTATIVE)



6. Entretien et fonctionnement des composants électriques

⚠ MISE EN GARDE

- **Danger d'électrocution.** Toujours débrancher la pompe de l'alimentation électrique avant de la manipuler ou d'y effectuer des réglages.
- Les raccords électriques et le câblage pour l'installation de la pompe ne devraient être effectués que par des professionnels qualifiés.
- Cette pompe est fournie avec un conducteur de mise à la terre et une fiche de branchement de type mise à la terre. Afin de réduire les dangers d'électrocution, s'assurer que le conducteur de mise à la terre est raccordé seulement à un panneau de commande correctement mis à la terre, ou, s'il est muni d'une fiche avec mise à la terre, qu'elle est correctement mise à la terre.
- NE PAS dévier les fils de mise à la terre ou retirer les broches de mise à la terre des fiches de branchement.
- NE PAS retirer le cordon ni le réducteur de tension, et NE PAS raccorder la canalisation électrique à la pompe.
- NE PAS utiliser de rallonge électrique.
- Cette pompe nécessite un circuit de dérivation à part correctement protégé par un fusible et mis à la terre. S'assurer que la source d'alimentation électrique est suffisante pour répondre aux exigences de tension et d'intensité du courant électrique du moteur, tel qu'indiqué sur la plaque signalétique de la pompe.
- La prise électrique ou le panneau doivent se trouver à la portée du cordon d'alimentation de la pompe et à au moins 1,2 m (4 pieds) au-dessus du niveau du plancher pour minimiser les dangers possibles pouvant être causés par une inondation.
- L'installation doit être faite en respectant le code national de l'électricité et tous les codes locaux et règlements en vigueur.

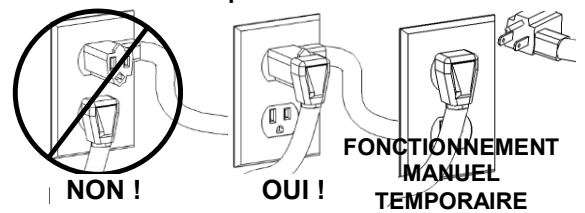
⚠ AVERTISSEMENT

Lorsqu'il existe des risques de dommages à la propriété en raison d'un niveau d'eau élevé, il est conseillé d'installer une alarme indépendante signalant la hausse du niveau de l'eau. On recommande un système de pompage double pour les installations à risque.

Tous les modèles « A » (pompes automatiques) sont munis d'un

interrupteur à flotteur fixé à la pompe en usine. Ces modèles sont munis de deux cordons : l'un relié à l'interrupteur à flotteur et l'autre au moteur de la pompe. Le cordon de l'interrupteur est muni d'un connecteur en série (siamois) permettant de brancher le cordon de la pompe (moteur) sur son dos (voir fig. 4) Ce système a pour but de permettre le fonctionnement manuel de la pompe. Remarque : Le disjoncteur doit commander la mise en marche et la mise hors fonction de la pompe.

Figure 4 Installation
Fig. 1 Riggback plus installation.
Prises monophasées



Pour un fonctionnement automatique, les deux cordons doivent être interconnectés et branchés dans une prise d'une intensité en ampères suffisante pour le modèle de pompe choisi, avec fusibles indépendants et mise à la terre. (Voir section 1, Renseignements généraux, ou la plaque signalétique de la pompe pour connaître les caractéristiques électriques du modèle.) Les deux cordons sont munis de fiches à trois broches et doivent être branchés dans une prise à trois broches avec mise à la terre adéquate. **NE PAS RETIRER LA BROCHE DE MISE À LA TERRE.**

En cas de défaillance de l'interrupteur, le cordon de la pompe peut être séparé et branché dans la prise électrique, en contournant directement l'interrupteur. On doit uniquement faire fonctionner les pompes 115 et 230 volts monophasées sans l'interrupteur à flotteur en utilisant le disjoncteur ou l'interrupteur du panneau. Ne pas laisser la pompe fonctionner à sec.

Le niveau de mise en marche des modèles automatiques « A » est d'environ 30,5 cm à 40,6 cm (12 po à 16 po) au-dessus du fond du bassin. Le niveau d'arrêt de ces modèles est d'environ 15,2 cm (6 po) au-dessus du fond du bassin. On peut obtenir d'autres intervalles de pompage en attachant le cordon de l'interrupteur au tuyau d'évacuation. **REMARQUE :** Une longueur de cordon minimum de 8,9 cm (3,5 po) entre le point d'attache et le haut du flotteur est nécessaire au bon fonctionnement de l'interrupteur. Lorsqu'on utilise un intervalle différent de celui qui est réglé en usine, s'assurer que lorsque la pompe s'arrête, il reste au moins 15,2 cm (6 po) de liquide dans le bassin, de manière à ce que le rotor demeure submergé.

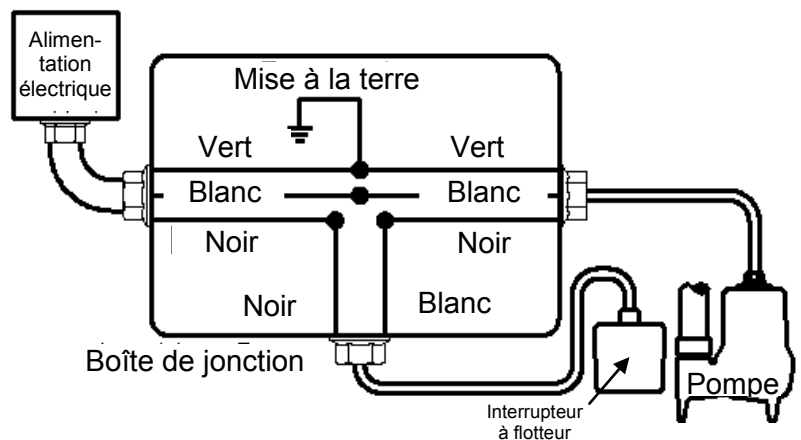
Les modèles de pompes de la série PRG comportant la lettre « M » sont des modèles qui ne sont pas munis d'interrupteurs. Ils sont destinés à servir avec un dispositif de contrôle du niveau de liquide ou une commande de moteur dont la capacité correspond à l'intensité maximale du moteur. Les modèles triphasés nécessitent l'installation d'une commande de moteur dont la capacité correspond à l'intensité maximale du moteur dont les éléments de surcharge sont sélectionnés ou réglés conformément au mode d'emploi de la commande.

Fonctionnement automatique avec dispositifs de commande facultatifs : Si les pompes doivent fonctionner avec un panneau de commande en simple ou en double, ou d'autres dispositifs de commande facultatifs, suivre les directives d'installations fournies avec le dispositif de commande en question et faire les raccordements selon ce qui est recommandé. Si nécessaire, certains modèles peuvent fonctionner sans un dispositif de commande séparé. On doit uniquement faire fonctionner les pompes 230V monophasées sans l'interrupteur à flotteur en utilisant le disjoncteur ou l'interrupteur du panneau. Ne pas laisser la pompe fonctionner à sec.

Modèles ProVore^{MD} « A » et « M » : Si la pompe doit être branchée directement dans un dispositif de commande ou une boîte de connexion, et qu'il est nécessaire de retirer les fiches, faire raccorder le câblage par un électricien autorisé en respectant les normes du code national de l'électricité et de tous les codes locaux en vigueur. Consulter la figure 5 pour un câblage direct de pompes monophasées automatiques.

⚠ MISE EN GARDE

Dans les installations 230V, un côté du câble allant vers la pompe est toujours sous tension, que l'interrupteur à flotteur soit en position de marche ou d'arrêt. Pour éviter les risques d'électrocution, installer un interrupteur bipolaire près de l'installation de la pompe.



Câblage direct de pompes P380 monophasées, automatiques.

ÉTAPES À SUIVRE AVANT LA MISE SOUS TENSION.

1. Resserrer tous les raccordements faits sur place. Resserrer tous les raccordements faits en usine. Ceux-ci peuvent s'être relâchés en raison du transport et des vibrations lors de la manipulation.
2. Vérifier la sécurité des dispositifs d'installation.
3. Vérifier l'intérieur afin de s'assurer que rien n'a été endommagé de manière à réduire les espacements électriques.
4. Tourner la molette avec la vis de blocage hexagonale à tête creuse afin de vérifier le mouvement et lubrifier les joints.
5. S'assurer qu'aucun cordon ni aucun autre obstacle ne se trouvent dans le chemin de la lame de la pompe.
6. PROTECTION DE LA SURCHARGE DU MOTEUR : Le moteur de la pompe est protégé contre le blocage du rotor et les surcharges de fonctionnement par un dispositif de protection thermique intégré au moteur. Aucun réglage n'est requis.
7. Vérifier si tous les raccordements de mise à la terre sont bien faits.

Lorsqu'on utilise un panneau, retirer tous les débris, bouts de câbles, etc., de l'intérieur du panneau de commande avant de refermer les portes. Installer les couvercles, refermer les portes en s'assurant bien qu'aucun câble n'est coincé et que toutes les pièces internes sont correctement alignées et resserrées.



MISE EN GARDE

LA PREMIÈRE MISE SOUS TENSION DU PANNEAU DE COMMANDE COMPORTE CERTAINS RISQUES. UN ÉLECTRICIEN AUTORISÉ DEVRAIT ÊTRE SUR PLACE LORSQUE LE PANNEAU OU LE DISJONCTEUR SONT MIS SOUS TENSION POUR LA PREMIÈRE FOIS. SI LES PROBLÈMES CAUSÉS PAR DES DOMMAGES OU DES PRATIQUES D'INSTALLATION FAUTIVES NE SONT PAS DÉTECTÉS, CELA PEUT OCCASIONNER DES DOMMAGES AU MOMENT DE LA MISE SOUS TENSION (SE RÉFÉRER À LA SECTION 5).

INTERRUPTEURS À FLOTTEUR

1. Les cycles de marche et d'arrêt de la pompe sont normalement contrôlés par un interrupteur à flotteur « siamois » relié au côté de la pompe, ou par des interrupteurs suspendus dans la bêche d'aspiration. Se référer au panneau ou aux directives de l'interrupteur pour le raccordement électrique approprié.

SÉQUENCE DU FLOTTEUR – SIAMOIS (MODÈLES AUTOMATIQUES)

1. À mesure que le niveau de liquide monte dans la bêche d'aspiration, le flotteur bascule et ferme l'interrupteur. Cela fait démarrer la pompe.
2. La pompe tourne jusqu'à ce que le niveau de liquide descende au niveau « POMPE ARRÊTÉE » du flotteur (établi à au moins 17,8 cm [6 po] en usine).

SÉQUENCE DU FLOTTEUR - PANNEAU DE COMMANDE SIMPLE (MODÈLES MANUELS)

1. À mesure que le niveau de liquide monte dans la bêche d'aspiration, le flotteur « POMPE ARRÊTÉE » bascule et ferme l'interrupteur (ce niveau doit être réglé à au moins 15 cm [6 po]). À mesure que le niveau de liquide continue d'augmenter, le flotteur « POMPE EN MARCHÉ » bascule. Cet interrupteur se ferme et démarre la pompe.
2. La pompe tourne jusqu'à ce que le niveau de liquide descende en dessous du niveau « POMPE ARRÊTÉE » du flotteur, vidant la bêche d'aspiration.
3. En cas de mauvais fonctionnement de l'interrupteur à flotteur, du relais de commande ou de la pompe, le niveau de liquide augmente et fait basculer le flotteur « ALARME DE NIVEAU ÉLEVÉ ». Le système d'alarme se déclenche alors.

SÉQUENCE DU FLOTTEUR - PANNEAU DE COMMANDE DOUBLE (MODÈLES MANUELS)

1. À mesure que le niveau de liquide monte dans la bêche d'aspiration, le flotteur « POMPE ARRÊTÉE » bascule et ferme l'interrupteur. À mesure que le niveau de liquide continue d'augmenter, le flotteur « POMPE PRINCIPALE EN MARCHÉ » bascule. Cet interrupteur se ferme et démarre la pompe principale. La pompe tourne jusqu'à ce que le niveau de liquide descende en dessous du niveau « POMPE ARRÊTÉE » du flotteur (au moins 15 cm (6 po)), vidant la bêche d'aspiration.
2. Lors de la prochaine élévation du niveau de liquide, l'autre pompe démarre au signal de la « POMPE PRINCIPALE EN MARCHÉ ». Les pompes continueront d'alterner leurs cycles.

REMARQUE : Le différentiel d'interrupteur MARCHÉ/ARRÊT devrait être réglé pour ne dépasser pas 12 démarrages par heure.

3. La deuxième pompe démarre lorsque le niveau de liquide monte au niveau « POMPE SECONDAIRE EN MARCHÉ ». Les deux pompes tourneront jusqu'à ce que le niveau de liquide descende en dessous du niveau « POMPE ARRÊTÉE » du flotteur, vidant la bêche d'aspiration.
4. En cas de mauvais fonctionnement de l'interrupteur à flotteur, du relais de commande ou de la pompe, le niveau de liquide augmente et fait basculer le flotteur « ALARME DE NIVEAU ÉLEVÉ ». Le système d'alarme se déclenche alors.

INSTALLATION DE L'INTERRUPTEUR À FLOTTEUR

Les dessins techniques devraient normalement préciser les niveaux de démarrage et d'arrêt pour la pompe et l'alarme de niveau élevé. S'ils ne sont pas précisés, il est recommandé d'utiliser ces directives pour déterminer l'emplacement des interrupteurs à flotteur.

INTERRUPTEUR SIAMOIS

(Système à 1 flotteurs)

Pompe arrêtée : réglé en usine. (Système à sangle de 3,5 po.)

Pompe en marche : réglé en usine. (Système à sangle de 3,5 po.)

STATION DE POMPAGE SIMPLE

(Système à 3 flotteurs)

Pompe arrêtée : niveau du sommet du boîtier du moteur.

Pompe en marche : au moins 46 cm (1½ pi) au-dessus du niveau de pompe arrêtée.

Alarme de niveau élevé : au moins 30 cm (1 pi) au-dessus du niveau de pompe en marche. Sous le tuyau d'admission.

STATION DE POMPAGE DOUBLE

(Système à 4 flotteurs)

Pompe arrêtée : niveau du sommet du boîtier du moteur.

Pompe principale en marche : au moins 46 cm (1½ pi) au-dessus du niveau de pompe arrêtée.

Pompe secondaire en marche : au moins 30 cm (1 pi) au-dessus du niveau de pompe principale en marche.

Alarme de niveau élevé : au moins 30 cm (1 pi) au-dessus du niveau de pompe secondaire en marche. Sous le tuyau d'admission.

7. **Fonctionnement**

FONCTIONNEMENT

Une fois les installations électriques et mécaniques complétées, la pompe est prête à fonctionner. Aucune procédure de fonctionnement n'est nécessaire sauf pour appliquer la puissance nominale à la pompe. Il n'y a pas de procédure de fermeture particulière au-delà du débranchement de l'alimentation électrique.

⚠ AVERTISSEMENT

SI LA ROTATION D'UNE POMPE UNIPOLAIRE EST INCORRECTE, EN AVISER IMMÉDIATEMENT LE SERVICE D'ENTRETIEN DES PRODUITS LIBERTY. NE PAS INVERSER LES BORNES D'ALIMENTATION ÉLECTRIQUE. NE PAS FAIRE FONCTIONNER LA POMPE.

⚠ MISE EN GARDE

TOUJOURS S'ASSURER QUE LA POMPE EST LIBRE DE TOUTE OBSTRUCTION PAR DES CÂBLES OU AUTRES ÉLÉMENTS POUVANT PROVOQUER DES DOMMAGES OU DES BLESSURES.

ENTRETIEN ET LUBRIFICATION PÉRIODIQUES

Les pompes Liberty sont conçues pour une utilisation efficace, fiable et de longue durée avec des vérifications d'entretien préventif minimales. Bien que peu nombreuses, ces vérifications ajouteront des années d'utilisation satisfaisante à la vie utile de votre pompe.

LUBRIFICATION

L'huile de turbine lubrifie et refroidit la pompe de façon permanente. Si on doit changer l'huile, utiliser de l'huile turbine ISO-10; Capacité 2 litres (0,5 gallon).

8. Entretien et dépannage

MISE EN GARDE

Danger d'électrocution. Toujours débrancher la pompe de l'alimentation électrique avant de la manipuler ou d'y effectuer des réglages.

Cette pompe dispose d'un logement de moteur rempli d'huile, vidanger l'huile avant de retirer les quatre vis du couvercle.

Problème	Cause	Solution
La pompe ne fonctionne pas.	<ul style="list-style-type: none"> Fusible brûlé ou autre interruption d'alimentation, tension inadéquate. 	<ul style="list-style-type: none"> S'assurer que le branchement de l'appareil est sécuritaire. Demander à un électricien de vérifier tous les câbles au niveau des branchements et de s'assurer que la capacité et l'intensité sont adéquates.
	<ul style="list-style-type: none"> * L'interrupteur ne peut se mettre en position de marche en raison de l'interférence du côté du bassin ou d'un autre type d'obstacle. 	<ul style="list-style-type: none"> Placer la pompe ou l'interrupteur de manière à ce que le dégagement soit suffisant pour bien fonctionner.
	<ul style="list-style-type: none"> Niveau de liquide insuffisant. 	<ul style="list-style-type: none"> S'assurer que le niveau de liquide peut s'élever suffisamment pour activer le(s) interrupteur(s).
	<ul style="list-style-type: none"> Interrupteur défectueux. 	<ul style="list-style-type: none"> Remplacer l'interrupteur s'il est défectueux.
La pompe refuse de s'éteindre.	<ul style="list-style-type: none"> Le(s) interrupteur(s) ne peu(ven)t se mettre en position d'arrêt en raison de l'interférence du côté du bassin ou d'un autre type d'obstacle. 	<ul style="list-style-type: none"> Placer la pompe ou l'interrupteur de manière à ce que le dégagement soit suffisant pour bien fonctionner.
	<ul style="list-style-type: none"> Interrupteur défectueux. 	<ul style="list-style-type: none"> Remplacer l'interrupteur s'il est défectueux.
La pompe tourne ou gronde, mais ne pompe pas.	<ul style="list-style-type: none"> Conduits d'évacuation bloqués ou restreints. 	<ul style="list-style-type: none"> Vérifier dans la canalisation d'évacuation qu'il n'y ait pas de corps étrangers, y compris de formation de glace si la canalisation d'évacuation se trouve dans des zones froides ou les traverse.
	<ul style="list-style-type: none"> Clapet antiretour bloqué en position fermée ou incorrectement installé. 	<ul style="list-style-type: none"> Retirer tout clapet antiretour et vérifier qu'il fonctionne librement et est bien installé.
	<ul style="list-style-type: none"> Robinet vanne ou clapet à bille fermé. 	<ul style="list-style-type: none"> Ouvrir le robinet-vanne ou le clapet à bille.
	<ul style="list-style-type: none"> La charge ascensionnelle totale dépasse la capacité de la pompe. 	<ul style="list-style-type: none"> Essayer de rediriger le tuyau à un niveau inférieur. Si c'est impossible, il faut probablement se procurer une pompe plus puissante. Consulter le fabricant.
	<ul style="list-style-type: none"> Le rotor de la pompe est bloqué ou le corps de pompe en spirale est bouché. 	<ul style="list-style-type: none"> Retirer la pompe du bassin, retirer le couteau et la plaque de coupe, nettoyer la zone entourant le rotor. Remonter et réinstaller. Utiliser un tournevis hexagonal de 6 mm pour la vis centrale. On peut chauffer la vis pour en retirer le composé frein-filet.
La pompe tourne périodiquement lorsque les accessoires ne sont pas utilisés.	<ul style="list-style-type: none"> Clapet antiretour non installé, bloqué en position ouverte ou qui fuit. 	<ul style="list-style-type: none"> Retirer tout clapet antiretour et vérifier qu'il fonctionne librement et est bien installé.
	<ul style="list-style-type: none"> Les accessoires coulent. 	<ul style="list-style-type: none"> Réparer les accessoires au besoin pour éliminer les fuites.
La pompe fait du bruit.	<ul style="list-style-type: none"> Corps étrangers dans les cavités du rotor. 	<ul style="list-style-type: none"> Retirer la pompe du bassin, retirer le couteau et la plaque de coupe, nettoyer la zone entourant le rotor. Remonter et réinstaller. Utiliser un tournevis hexagonal de 6 mm pour la vis centrale. On peut chauffer la vis pour en retirer le composé frein-filet.
	<ul style="list-style-type: none"> Rotor brisé. 	<ul style="list-style-type: none"> Consulter le fabricant pour obtenir de l'information au sujet du remplacement du rotor.
	<ul style="list-style-type: none"> Coussinets usés. 	<ul style="list-style-type: none"> Retourner la pompe au fabricant ou la faire réparer par un réparateur autorisé.
	<ul style="list-style-type: none"> Raccordements des tuyaux à la structure de la maison trop rigides. 	<ul style="list-style-type: none"> Remplacer une partie du tuyau d'évacuation par un boyau ou un raccord en caoutchouc.

9. Garantie limitée de 3 ans

Liberty Pumps, Inc. garantit que les pompes sortant de son usine sont exemptes de tout défaut de matériau et de fabrication pour une période de 3 ans à partir de la date d'achat. La date d'achat sera établie par une facture d'achat datée indiquant les numéros de modèle et de série de la pompe. La pompe retournée doit être accompagnée de la facture d'achat datée si la date de retour se situe à plus de 3 ans du numéro de « CODE » (date de fabrication) indiqué sur la plaque signalétique de la pompe.

L'obligation de garantie du fabricant se limite à la réparation ou au remplacement de toute pièce jugée défectueuse par le fabricant, à condition que la pièce ou l'appareil soit retourné franco de port au fabricant ou à son centre de service autorisé et à condition qu'il n'y ait aucune preuve que les critères suivants annulant la garantie sont en cause.

Le fabricant ne peut en aucun cas être tenu responsable, selon les dispositions de cette garantie, si le produit n'a pas été correctement installé; s'il a été démonté, modifié, soumis à un usage abusif ou endommagé; si le cordon électrique a été coupé, endommagé ou ligaturé; si la taille du tuyau d'évacuation de la pompe a été réduite; si la pompe a été utilisée pour pomper de l'eau d'une température supérieure aux recommandations ci-dessus ou de l'eau contenant du sable, de la chaux, du ciment, du gravier ou autres matières abrasives; si le produit a été utilisé pour pomper des produits chimiques ou des hydrocarbures; si un moteur non submersible a été exposé à de l'humidité excessive; ou si l'étiquette portant le numéro de série, de modèle et de code a été retirée. Liberty Pumps, Inc. ne pourra être tenue responsable des pertes, dommages, frais attribuables à l'installation ou l'utilisation de ses produits ni pour les dommages accessoires ou consécutifs, y compris les coûts de retrait, de réinstallation ou de transport.

Il n'y a aucune autre garantie expresse. Toute garantie implicite, y compris celles de qualité marchande et d'aptitude à une fin particulière est limitée à trois ans à partir de la date d'achat.

Cette garantie contient le recours exclusif de l'acheteur et exclut, lorsque permis par la loi, toute responsabilité pour dommages consécutifs ou accessoires en vertu de toutes autres garanties.



7000 Apple Tree Avenue
Bergen (NY) 14416, É.-U.
Téléphone : 1 800 543-2550
Télécopieur : 585 494-1839
www.libertypumps.com