

□ **CL-402C** □ **CL-402CL**



4" Two Handle Lavatory Faucet

Product Spec Sheet



FEATURES & BENEFITS

- This Product Contains Less Than 0.25% Weighted Average Lead Content On Wetted Surfaces
- Acrylic Round Handles
- Washerless Cartridges
- Brass Pop-up
- Max Flow Rate 1.5 GPM(5.7 LPM) at 60 PSI (ASME.A112.18.1)

CL-402C
Chrome Finish

CL-402CL
Less Pop-up
Chrome Finish

APPROVALS:

Meets or Exceeds The Following:

- * ANSI/ASME A112.18.1
- * ANSI/NSF 61 – Sec. 9
- * IAPMO/UPC
- * CA AB1953



CALIFORNIA:
TEXAS:
NEW YORK:

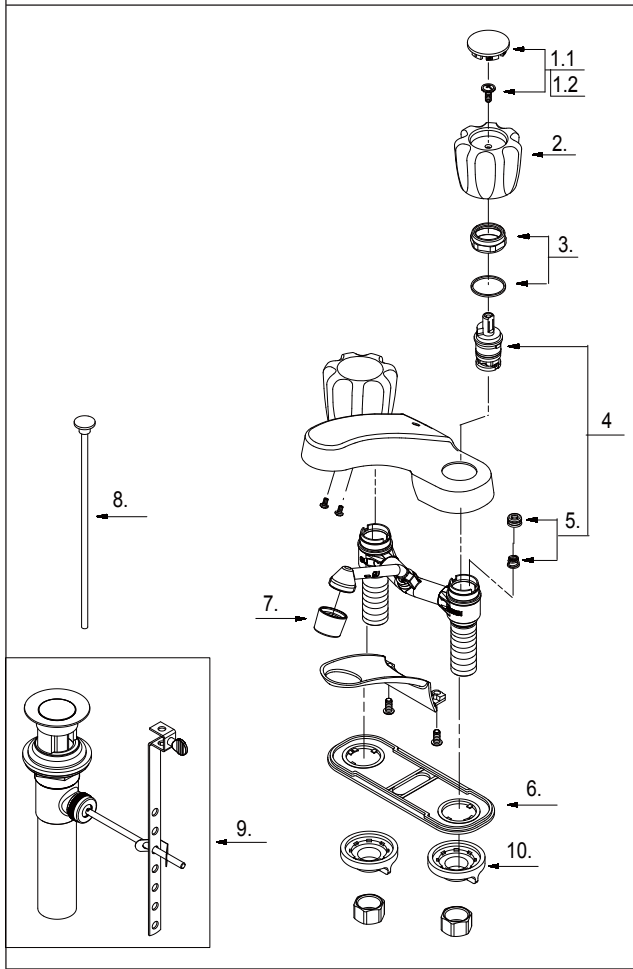
TEL: 866-532-8306
TEL: 800-935-5456
TEL: 800-431-2082

FAX: 866-532-8307
FAX: 800-683-4247
FAX: 800-640-2252

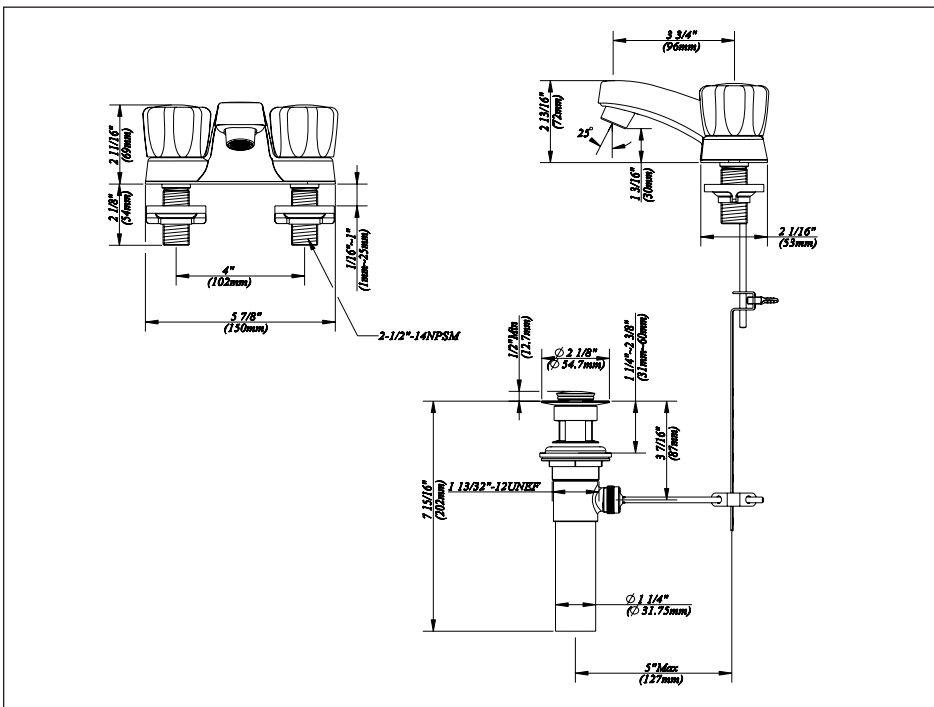
Visit Our Web Site : www.matco-norca.com

4" Two Handle Lavatory Faucet

No.	Name	Material
1.1	Index Button-Cold	Plastic
1.2	Index Button- Hot	Plastic
2	Acrylic Handle	Acrylic
3	Retainer Nut & Washer	Plastic & Rubber
4	Cartridge Assembly	Stainless Steel & Plastic
5	Seat & Spring Set *2	Stainless Steel & Plastic
6	Putty Plate	Plastic
7	Aerator	Plastic & Brass
8	Lift Rod	Brass
9	Pop-up Assembly	Brass
10	Lock Nut Set	Brass



Product Spec Sheet



APPROVALS:

Meets or Exceeds The Following:

- * ANSI/ASME A112.18.1
- * ANSI/NSF 61 – Sec. 9
- * IAPMO/UPC
- * CA AB1953

CALIFORNIA: TEL: 866-532-8306 FAX: 866-532-8307
TEXAS: TEL: 800-935-5456 FAX: 800-683-4247
NEW YORK: TEL: 800-431-2082 FAX: 800-640-2252