

4" Two Handle Bar Faucet

Product Spec Sheet



FEATURES & BENEFITS

- This Product Contains Less Than 0.25% Weighted Average Lead Content On Wetted Surfaces
- Metal Lever Handles
- Ceramic Cartridges
- Max Flow Rate 2.2 GPM (8.5 LPM) at 60 PSI (ASME.A112.18.1)

PA-320C
Chrome Finish

PA-320SS
Stainless Steel Finish

APPROVALS:

Meets or Exceeds The Following:

- * ANSI/ASME A112.18.1
- * ANSI/NSF 61 – Sec. 9
- * IAPMO/UPC
- * CA AB1953



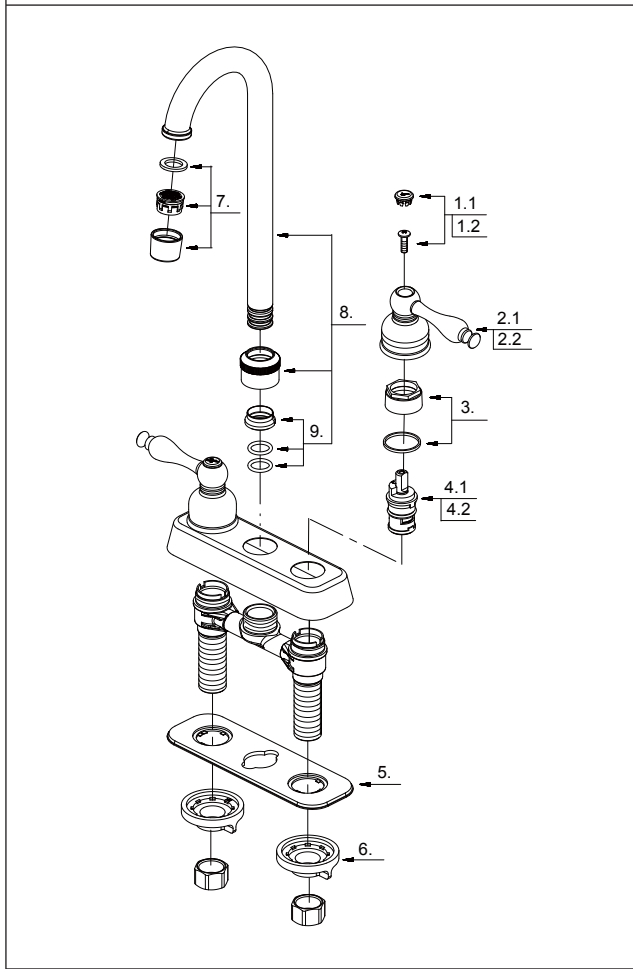
CALIFORNIA:
TEXAS:
NEW YORK:

TEL: 866-532-8306
TEL: 800-935-5456
TEL: 800-431-2082

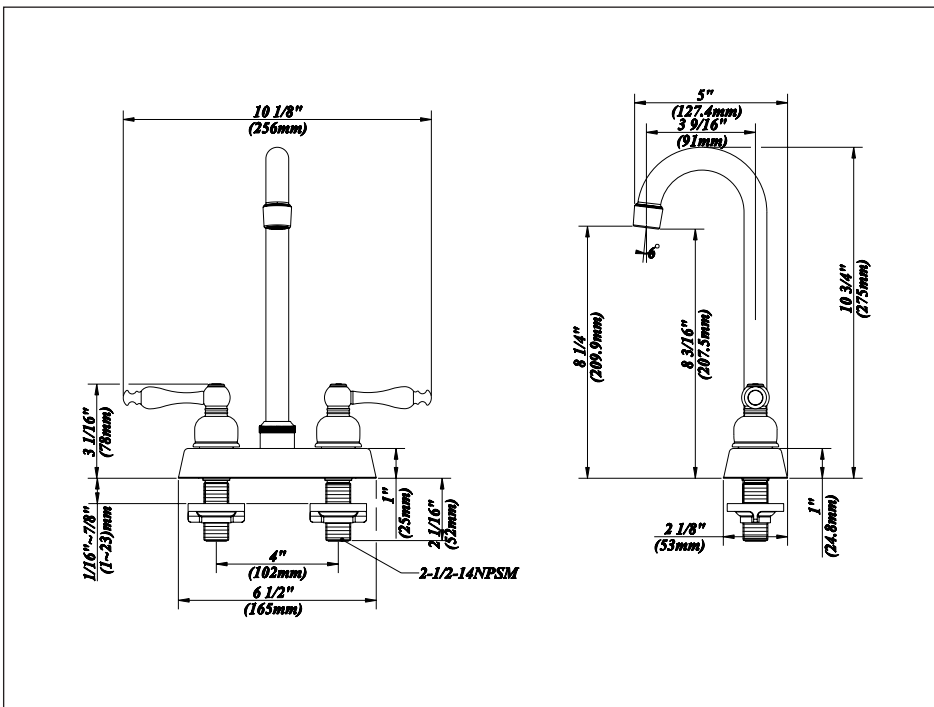
FAX: 866-532-8307
FAX: 800-683-4247
FAX: 800-640-2252

4" Two Handle Bar Faucet

No.	Name	Material
1.1	Index Button-Cold	Brass
1.2	Index Button-Hot	Brass
2.1	Metal Handle Assembly-Cold	Zinc Alloy
2.2	Metal Handle Assembly -Hot	Zinc Alloy
3	Retainer Nut & Washer	Zinc Alloy & Plastic
4.1	Ceramic Disc Cartridge-Cold	Ceramic & Plastic
4.2	Ceramic Disc Cartridge-Hot	Ceramic & Plastic
5	Putty Plate	Plastic
6	Lock Nut Set	Plastic
7	Aerator	Plastic & Brass
8	Spout Assembly	Brass
9	Spout Seal Kit	Plastic



Product Spec Sheet



APPROVALS:

Meets or Exceeds The Following:

- * ANSI/ASME A112.18.1
- * ANSI/NSF 61 – Sec. 9
- * IAPMO/UPC
- * CA AB1953

CALIFORNIA: TEL: 866-532-8306 FAX: 866-532-8307
TEXAS: TEL: 800-935-5456 FAX: 800-683-4247
NEW YORK: TEL: 800-431-2082 FAX: 800-640-2252