

**CL-150C**     **CL-150SS**



## **Single Handle Pullout Kitchen Faucet**

# **Product Spec Sheet**



### **FEATURES & BENEFITS**

- This Product Contains Less Than 0.25% Weighted Average Lead Content On Wetted Surfaces
- Metal Lever Handle
- Ceramic Cartridge
- Optional Deck Plate Included
- Max Flow Rate 2.2 GPM(8.4 LPM) at 60 PSI (ASME.A112.18.1)

CL-150C  
Chrome Finish

CL-150SS  
Stainless Steel Finish

#### **APPROVALS:**

**Meets or Exceeds The Following:**

- \* ANSI/ASME A112.18.1
- \* ANSI/NSF 61 – Sec. 9
- \* IAPMO/UPC
- \* CA AB1953



**CALIFORNIA:**  
**TEXAS:**  
**NEW YORK:**

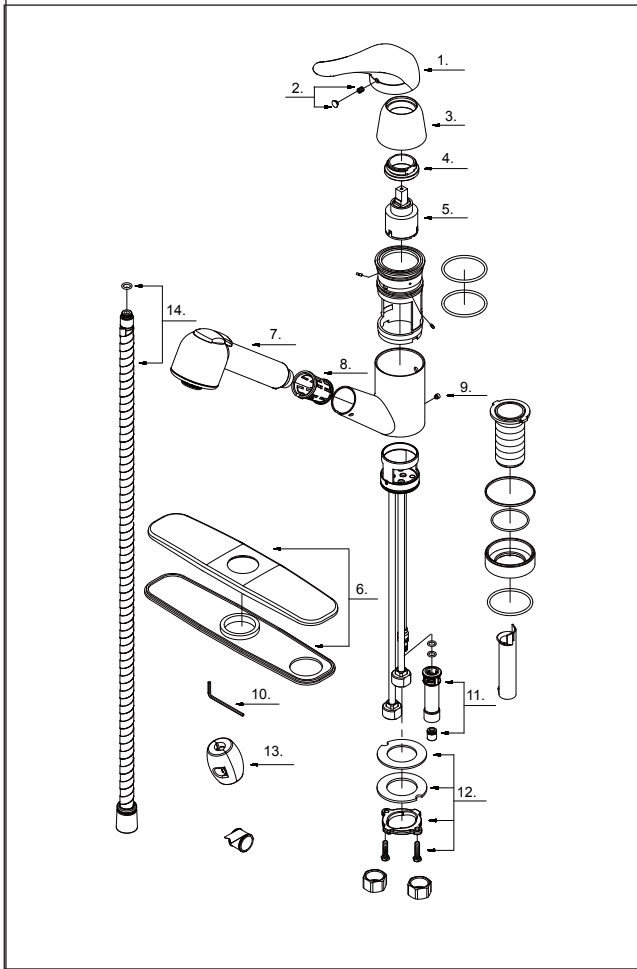
**TEL: 866-532-8306**  
**TEL: 800-935-5456**  
**TEL: 800-431-2082**

**FAX: 866-532-8307**  
**FAX: 800-683-4247**  
**FAX: 800-640-2252**

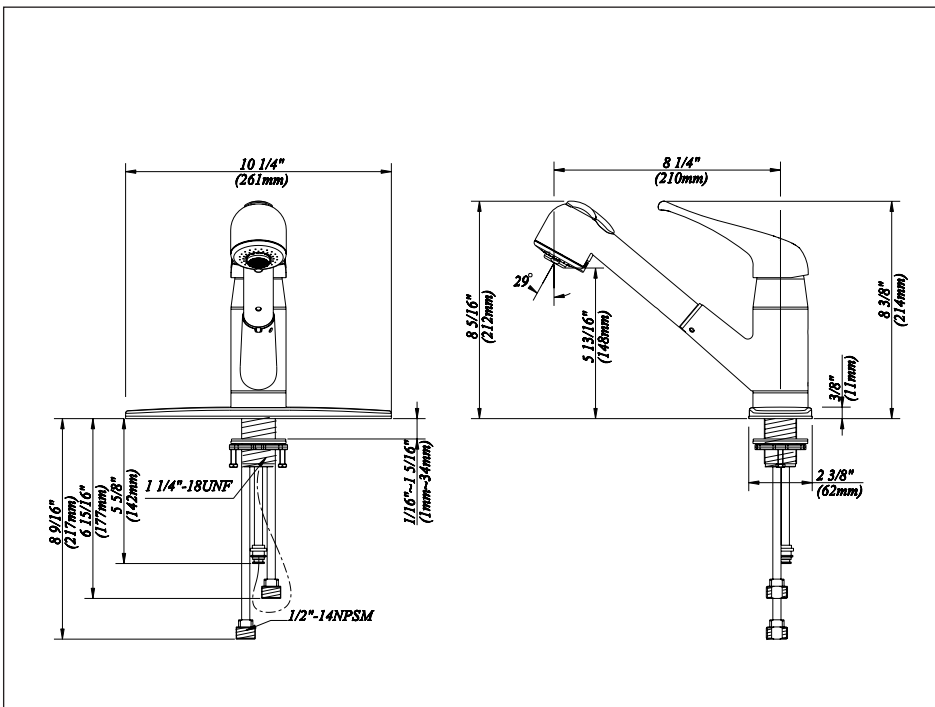
Visit Our Web Site : [www.matco-norca.com](http://www.matco-norca.com)

# Single Handle Pullout Kitchen Faucet

No.	Name	Material
1	Metal Handle	Zinc Alloy
2	Index Button-Cold/Hot	Plastic
3	Trim Cap	Plastic
4	Locking Nut	Brass
5	Ceramic Disc Cartridge	Ceramic & Brass
6	Cover Plate & Putty Plate	Zinc Alloy & Plastic
7	Hand Spray w/Check Valve	Plastic
8	Hose Guide	Plastic
9	Screw (3/16"-32 UNEF * 3/16" L)	Stainless Steel
10	Hex Wrench (H2.5 * 19 mm L * 53 mm L)	Stainless Steel
11	Hose Adaptor Assembly	Plastic
12	Mounting Hardware Assembly	Stainless Steel
13	Weight	Plastic
14	Spray Hose	Plastic



# Product Spec Sheet



### APPROVALS:

Meets or Exceeds The Following:

- \* ANSI/ASME A112.18.1
- \* ANSI/NSF 61 – Sec. 9
- \* IAPMO/UPC
- \* CA AB1953

**CALIFORNIA:** TEL: 866-532-8306 FAX: 866-532-8307  
**TEXAS:** TEL: 800-935-5456 FAX: 800-683-4247  
**NEW YORK:** TEL: 800-431-2082 FAX: 800-640-2252

Visit Our Web Site : [www.matco-norca.com](http://www.matco-norca.com)