

- CL-100C**       **CL-100SS**
- CL-140C**       **CL-140SS**



## **8" Single Handle Kitchen Faucet**

# **Product Spec Sheet**



### **FEATURES & BENEFITS**

- This Product Contains Less Than 0.25% Weighted Average Lead Content On Wetted Surfaces
- Metal Lever Handle
- Stainless Steel Ball Valve
- Max Flow Rate 2.2 GPM(8.4 LPM) at 60 PSI (ASME.A112.18.1)

#### **APPROVALS:**

**Meets or Exceeds The Following:**

- \* ANSI/ASME A112.18.1
- \* ANSI/NSF 61 – Sec. 9
- \* IAPMO/UPC
- \* CA AB1953

CL-140C  
Chrome Finish

CL-140SS  
Stainless Steel Finish

CL-100C  
Less Side Spray  
Chrome Finish

CL-100SS  
Less Side Spray  
Stainless Steel Finish



**CALIFORNIA:**  
**TEXAS:**  
**NEW YORK:**

**TEL: 866-532-8306**  
**TEL: 800-935-5456**  
**TEL: 800-431-2082**

**FAX: 866-532-8307**  
**FAX: 800-683-4247**  
**FAX: 800-640-2252**

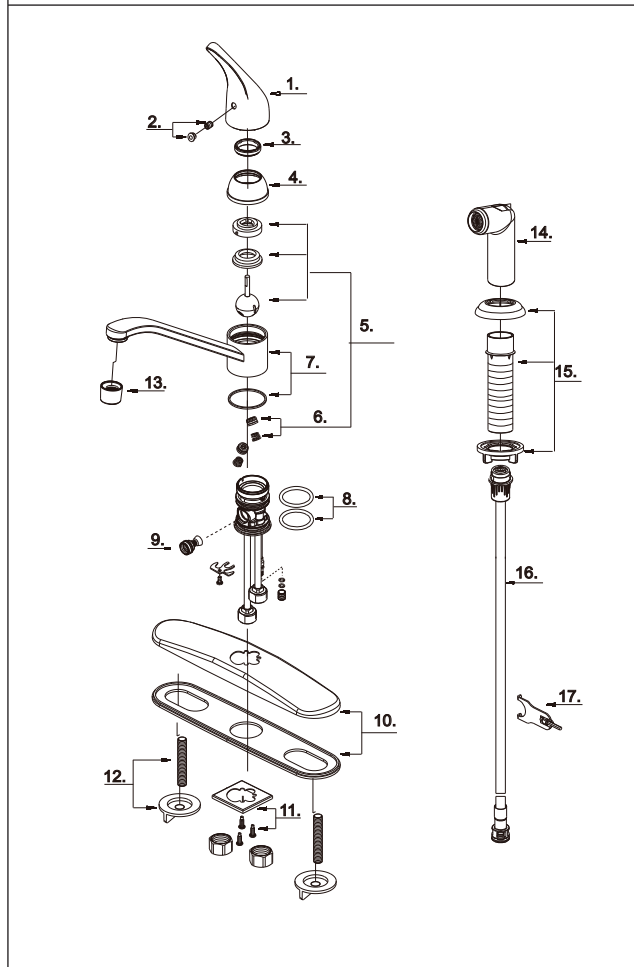
Visit Our Web Site : [www.matco-norca.com](http://www.matco-norca.com)

**CL-100C**     **CL-100SS**  
 **CL-140C**     **CL-140SS**

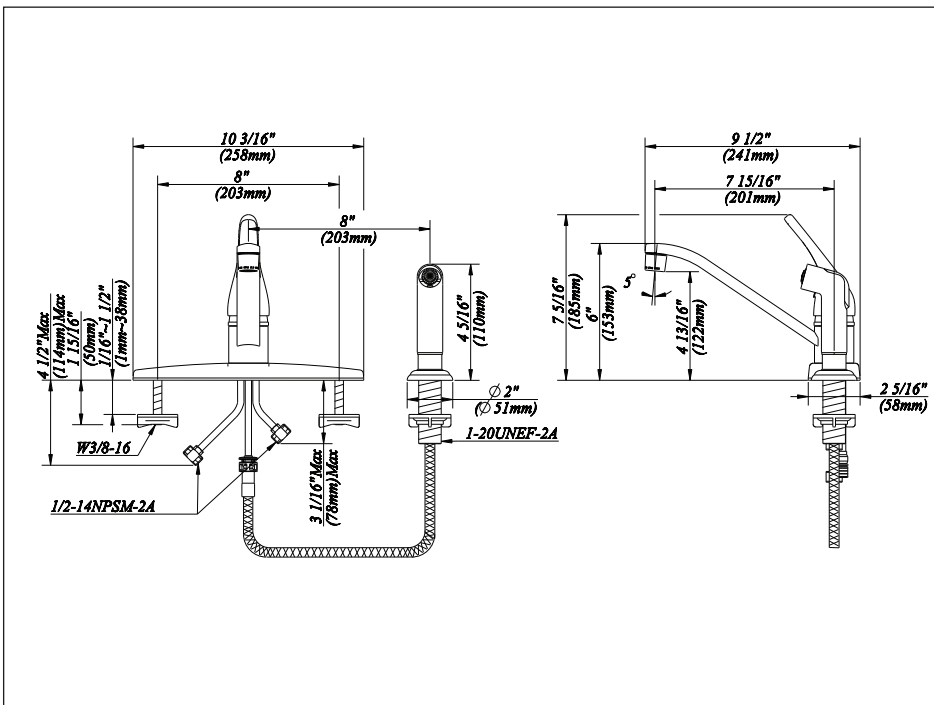


# 8" Single Handle Kitchen Faucet

No.	Name	Material
1	Metal Handle	Zinc Alloy
2	Index Button-Cold/Hot	Plastic
3	Locking Nut	Brass
4	Trim Cap	Zinc Alloy
5	Ball Valve Assembly	Stainless Steel & Plastic
6	Seat & Spring Set * 2	Stainless Steel & Plastic
7	Spout Set	Brass
8	O-Ring Set (1-1/4" ID *1-1/2" OD)	Rubber
9	Spray Diverter w/Vacuum Breaker	Plastic
10	Cover Plate & Putty Plate	Stainless Steel & Plastic
11	Base Mounting Hardware	Stainless Steel
12	Mounting Hardware	Stainless Steel & Plastic
13	Aerator	Plastic & Brass
14	Spray Head	Plastic
15	Spray Holder Assembly (2-1/2" L)	Plastic & Brass
16	Spray Hose	Plastic
17	Wrench	Stainless Steel



**Product Spec Sheet**



**APPROVALS:**  
**Meets or Exceeds The Following:**

- \* ANSI/ASME A112.18.1
- \* ANSI/NSF 61 – Sec. 9
- \* IAPMO/UPC
- \* CA AB1953

**CALIFORNIA:** TEL: 866-532-8306 FAX: 866-532-8307  
**TEXAS:** TEL: 800-935-5456 FAX: 800-683-4247  
**NEW YORK:** TEL: 800-431-2082 FAX: 800-640-2252

Visit Our Web Site : [www.matco-norca.com](http://www.matco-norca.com)