



Buy it for looks. Buy it for life.®

Specifications

SINK DESCRIPTION

- Manufactured of 18 gauge, type 301 nickel-bearing stainless steel
- The two bowls, the larger bowl is 18" x 18" x 10" and the smaller bowl is 9" x 16" x 6"
- Has two 3-1/2" diameter recessed drain opening
- Soundshield undercoating maximizes sound deadening and inhibits condensation
- The exposed surfaces are polished to a lustrous satin tone finish
- Silicone sealant not provided. Includes mounting bracket.
- Other standard mounting hardware not included

INSTALLATION

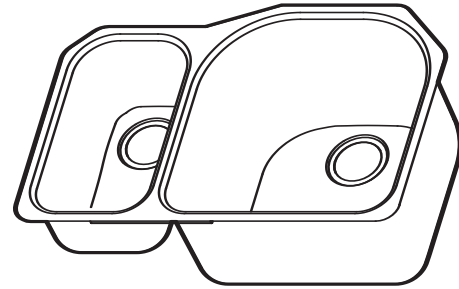
- Cut out dimension - 28-1/4" x 18"
- Template enclosed with sink
- Template ordering number 22521

STANDARDS

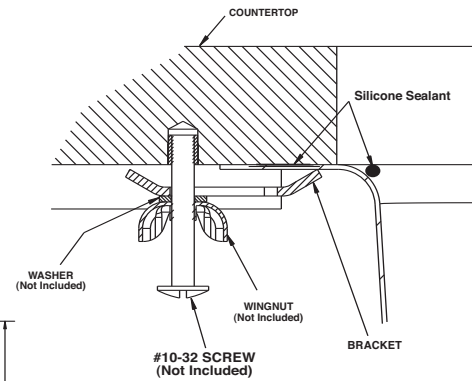
- Third party certified by IAPMO to meet ASME A112.19.3 and all applicable specifications referenced therein

WARRANTY

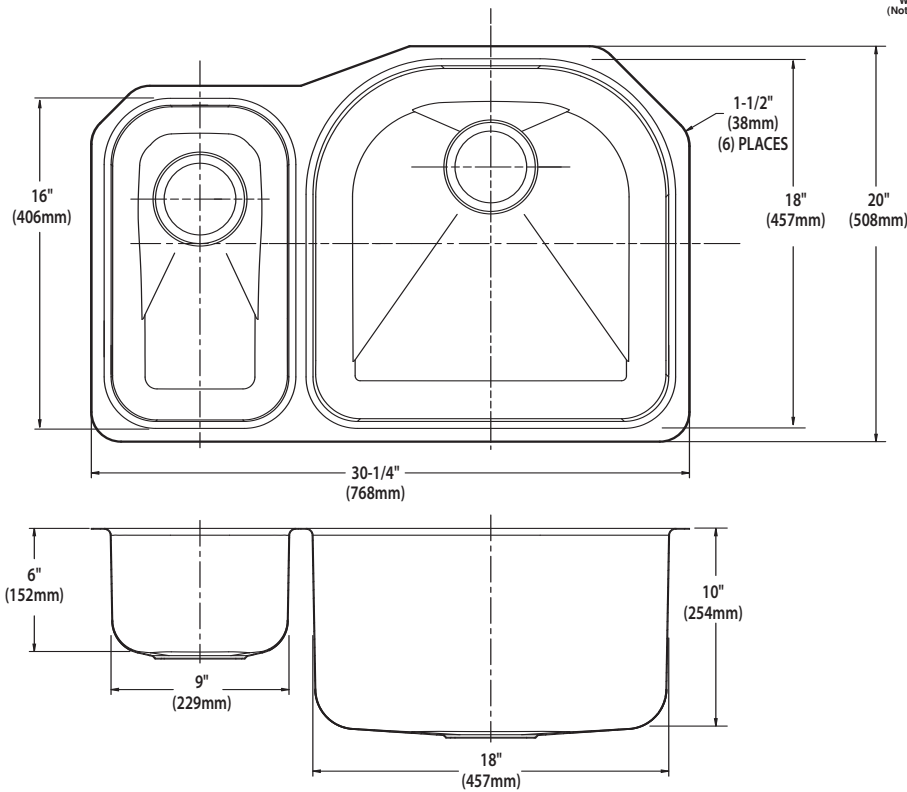
- Warranted for fifteen years against material or manufacturing defects



**Lancelot® Undermount
Double Bowl Kitchen Sink
Model: 22373
(UMTLSLDR 2818-D-6-10)**



Installation Detail



CRITICAL DIMENSIONS

(DO NOT SCALE)

FOR MORE INFORMATION CALL: 1-800-BUY-MOEN

www.moen.com