



Buy it for looks. Buy it for life.®

# Specifications

## SINK DESCRIPTION

- Manufactured of 18 gauge, type 301 nickel-bearing stainless steel
- Two bowls of equal size are 14" x 16" x 8"
- Has two 3-1/2" diameter recessed drain openings
- Soundshield undercoating maximizes sound deadening and inhibits condensation
- Silicone sealant not provided
- Includes mounting bracket
- Other standard mounting hardware not included

## INSTALLATION

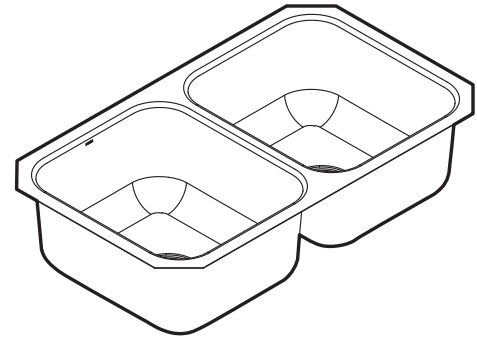
- Template enclosed with sink
- Template ordering number 22541

## STANDARDS

- Third party certified by IAPMO to meet ASME A112.19.3 and all applicable specifications referenced therein

## WARRANTY

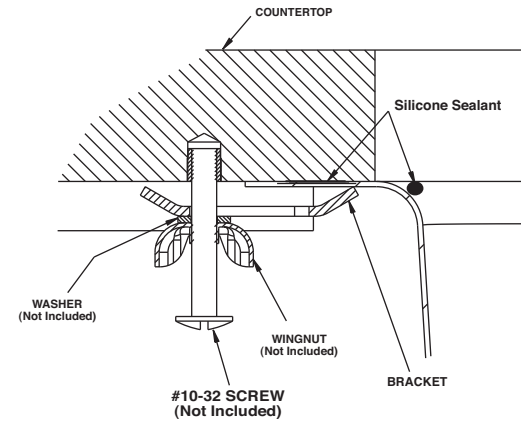
- Warranted for fifteen years against material or manufacturing defects



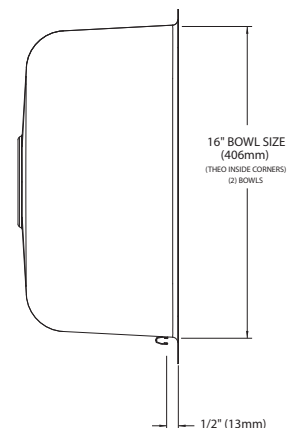
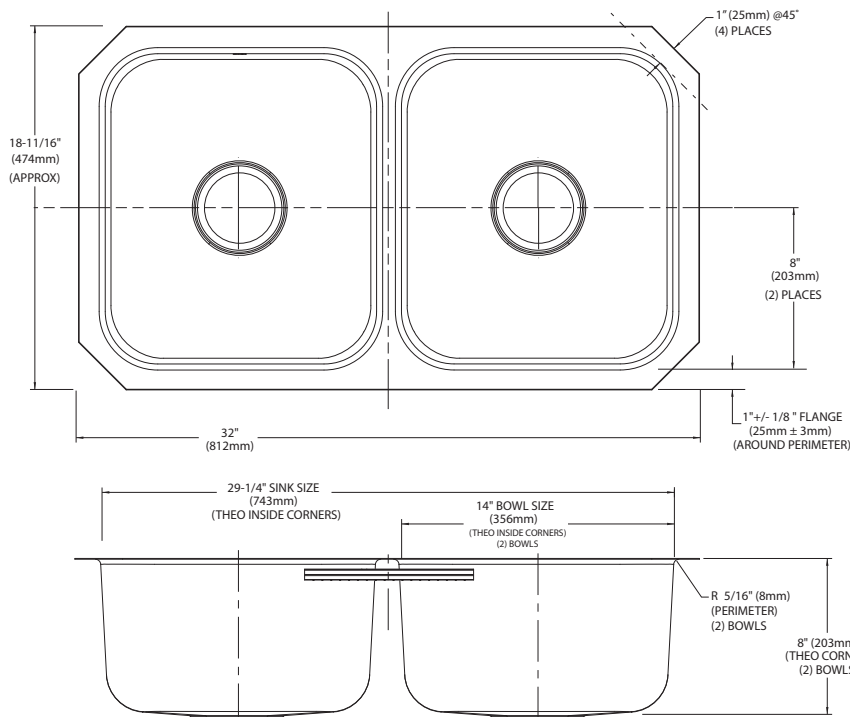
## Lancelot® Undermount Double Bowl Kitchen Sink

Model: 22396

(UMTLDE-29" x 16" x 8")



## Installation Detail



## CRITICAL DIMENSIONS

(DO NOT SCALE)

FOR MORE INFORMATION CALL: 1-800-BUY-MOEN

www.moen.com