

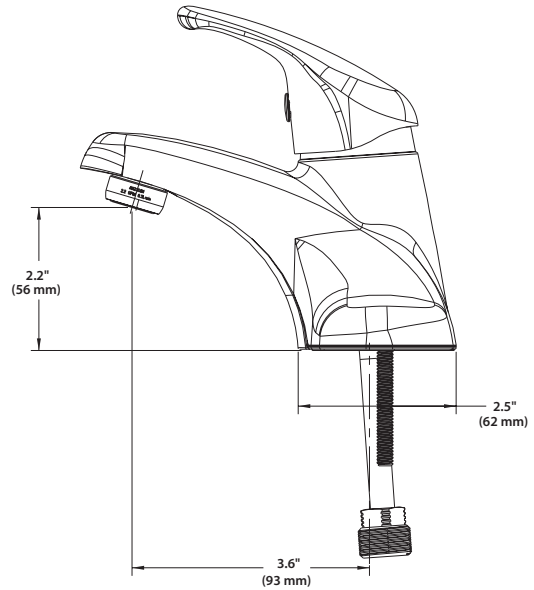
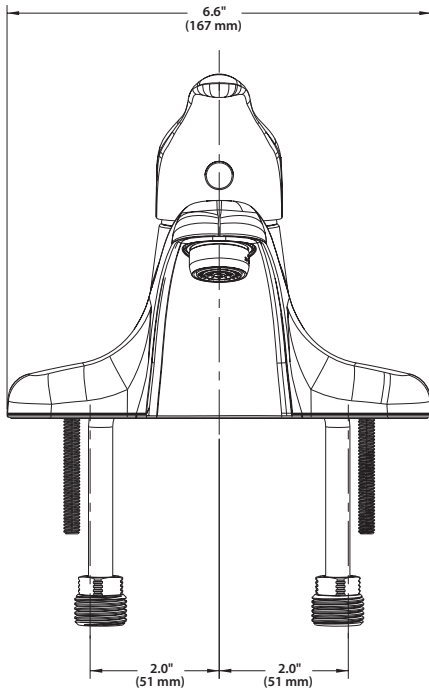


A Moen Incorporated Brand

Model Series: 40713, 40717

CRITICAL DIMENSIONS

- **Note:** This faucet is designed to be installed through 3 holes, 1" minimum diameter, 4" centers
- Maximum deck thickness 1.375" (35 mm) - Spacer provided, discard spacer if deck thickness exceeds 0.625" (15.9 mm)



PART NUMBERS

Números de partes / Número de pièces

