

# Premier Technical Specification

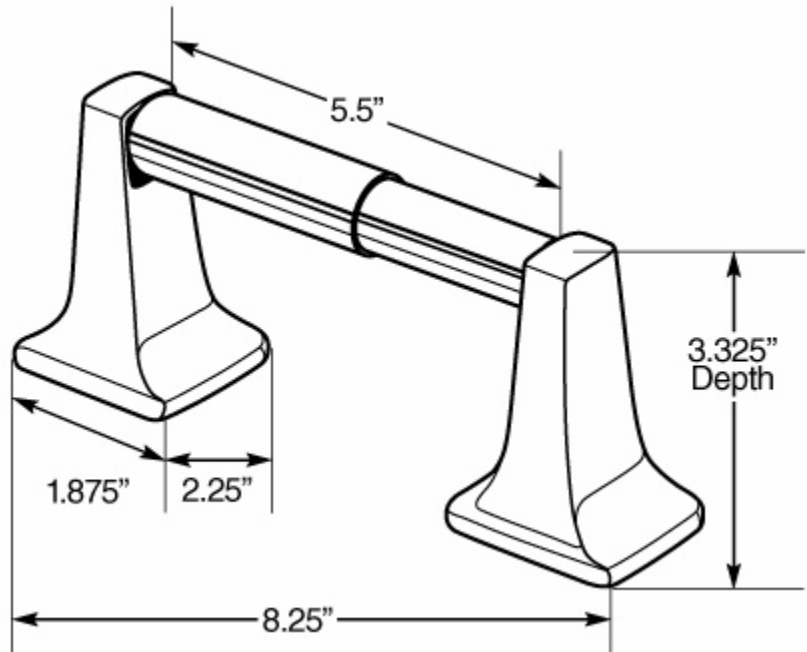
## Paper Holder

# 505, 508

### Stock Numbers:

- q **505CH – Paper Holder**  
Chrome Finish  
Chrome Roller
- q **508CH – Paper Holder**  
Chrome Finish  
White Roller

### Dimensions:



### Materials:

**Paper Holder** is die cast from highest quality zinc alloy (zamac). Castings are triple plated with a polished brass or polished chrome finish. Roller is plastic and spring loaded.

### Installation Instructions:

1. Remove mounting brackets from back of fixture posts by loosening the set screws.
  2. Position unit on wall in desired location.
  3. Lightly mark the outlines of the base of the unit.
  4. Center mounting brackets inside the outlines.
  5. Mark hole locations. Attach brackets to wall using 1 ½" screws (provided).
  6. Mount posts on brackets. Tighten set screws on the bottoms.
- Note: Wood blocking is preferable behind all wall surfaces.  
If wood blocking is not available, the following optional fasteners are suggested: Tile/Masonry – Plastic or Lead Anchors; Plaster/Drywall – Toggle Bolts.

### Cleaning Instructions:

To preserve the fine finish of this product, clean only with a soft damp cloth. Dry well. Do not use commercial or abrasive cleaners.

**Stock Number:** \_\_\_\_\_ **Paper Holder**  
By Creative Specialties



25300 AL MOEN DRIVE • NORTH OLMSTED, OH 44070  
CORPORATE HEADQUARTERS: (800) 321-8809 • FAX: (800) 848-6636  
INTERNATIONAL: (440) 962-2000 • FAX: (440) 962-2726  
CUSTOMER SERVICE (USA): 800-882-0116 • FAX: (888) 379-2720  
WWW.CSI.MOEN.COM

©Copyright Creative Specialties International 2006