

# Home Care Technical Specification

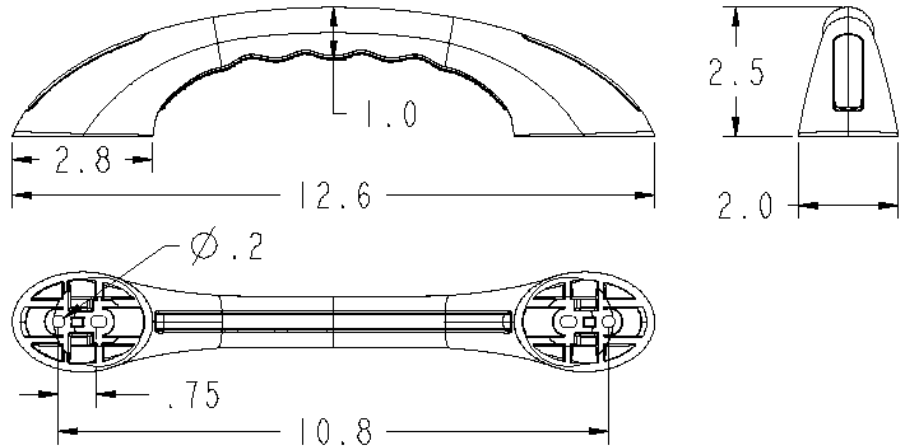
## Designer Hand Grip

LR2250DW

### Stock Numbers:

- q LR2250DW – 9" Designer Hand Grip  
White Finish  
Concealed Screw

### Dimensions:



### Materials:

Designer Hand Grip is made from Polypropylene.

### Installation Instructions:

1. Locate stud
2. Position assembled unit on wall in desired location
3. Mark starter holes
4. Drill (4) 1/8 inch diameter holes
5. Remove cap aside and mount assembled unit on wall using 2" screws (provided)
6. Snap the cap

Note: Wood blocking is preferable behind all wall surfaces

Stock Number: \_\_\_\_\_ Designer Hand Grip  
By Creative Specialties



25300 AL MOEN DRIVE • NORTH OLMSTED, OH 44070  
CORPORATE HEADQUARTERS: (800) 321-8809 • FAX: (800) 848-6636  
INTERNATIONAL: (440) 962-2000 • FAX: (440) 962-2726  
CUSTOMER SERVICE (USA): 800-882-0116 • FAX: (888) 379-2720  
WWW.CSI.MOEN.COM

©Copyright Creative Specialties International

Literature #BA1449