

Arris™ Technical Specification

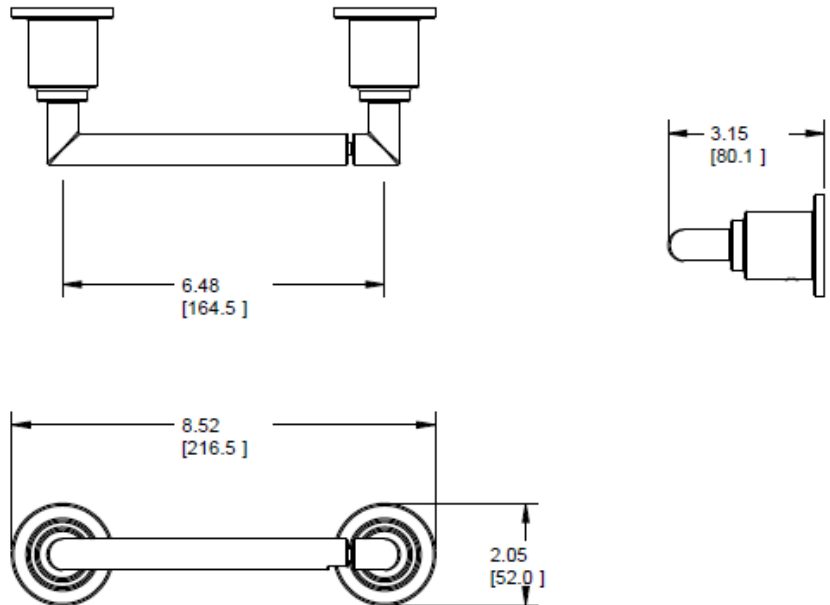
Paper Holder

YB0808

Stock Numbers:

- YB0808BN – Pivoting Paper Holder
Brushed Nickel Finish
- YB0808CH – Pivoting Paper Holder
Chrome Finish

Dimensions:



Materials:

Paper Holder is constructed of zinc.

Installation Instructions:

- 1) Position the mounting template on the wall in the desired location.
- 2) Using a level, align the template and tape it to the wall.
- 3) Drill two ¼" holes at each mounting post location that corresponds to your product.
- 4) Remove the template from the wall.
- 5) Disassemble screws and washers from anchors.
- 6) Lightly tap anchors until flush with the wall.
- 7) Remove mounting posts from the product assemblies by loosening each setscrew.
- 8) One at a time, place each mounting plate over anchors (with "UP" facing you) and insert screw and washer through plate into anchor.
- 9) Tighten screws until anchor is activated behind wall (approximately 45 turns) and tight.
- 10) Place each assembly over the mounting posts with setscrews facing down. Pivoting post with bar should be on the left side. Tighten both setscrews.

Cleaning Instructions:

To preserve the fine finish of this product, clean only with a soft damp cloth. Dry well. Do not use commercial or abrasive cleaners.

Stock Number: _____ Paper Holder
By Creative Specialties



25300 AL MOEN DRIVE • NORTH OLMSTED, OH 44070
CORPORATE HEADQUARTERS: (800) 321-8809 • FAX: (800) 848-6636
INTERNATIONAL: (440) 962-2000 • FAX: (440) 962-2726
CUSTOMER SERVICE (USA): 800-882-0116 • FAX: (888) 379-2720
WWW.MOEN.COM

©Copyright Creative Specialties International

Literature #BA1718