

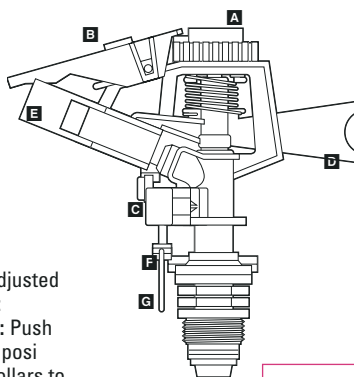


IMPACT SPRINKLER

ASPERSOR DE IMPACTO EN BASE 1/2" 13MM

- Completely adjustable full or part circle
- Covers up to 80' diameter

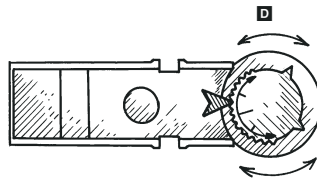
- A** Distance Control Knob
- B** Deflector Shield
- C** Diffuser Pin
- D** Anti-Back Splash
- E** Spray Nozzle
- F** Trip Pin
- G** Friction Collar



Adjusting the Pattern

The spray pattern can be adjusted with the following methods:

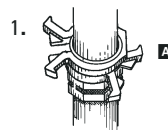
1. **Partial Circle Coverage:** Push the trip pin to the down position. Slide the friction collars to adjust any portion of 360° circle.
2. **Full Circle Coverage:** Push the trip pin to the up position.



Adjusting the Distance of Spray

The distance of spray can be adjusted with the following methods:

1. **Diffuser Pin Assembly:** Screw pin into stream to reduce coverage
2. **Deflector Shield Assembly:** Turn distance control knob on top to adjust coverage distance.



- A** Friction Collars
- B** Trip Pin
- C** Trip Pin
- D** Distance Control Knob

For outdoor use with cold water only
Solo para uso en exterior y con agua fría

Orbit® Irrigation Products, Inc.
North Salt Lake, UT 84054 USA
www.orbitonline.com
1-800-488-6156

Made in China Fabricado en China

PN 58007-03 Rev D



0 46878 58007 7

Six year warranty | Garantie de seis años