

Drake® Close Coupled Toilet, 1.6GPF

FEATURES

- G-Max® flushing system
- Optional SanaGloss® ceramic glaze - SanaGloss glaze prevents debris, and mold from sticking to ceramic surfaces, leading to fewer chemicals and less water in cleaning.
- Close coupled commercial grade, high performance toilet
- Elongated front bowl and tank set, less seat
- Chrome trip lever
- 12" Rough-in, less supply

MODELS

- CST744SG
Elongated bowl, SanaGloss, 12" rough-in, less seat
- CST744S
Same as above less SanaGloss
- CST744SB*
Same as CST744S with bolt down lid (special order)
- CST744SD*
Same as CST744S with insulated tank (special order)
- CST744SDB*
Same as CST744S with bolt down lid & insulated tank (special order)
- CST744SR*
Same as CST744S with right hand trip lever (special order)

COMPONENTS

- C744SL - Elongated Front Bowl
- ST743S - Tank and Cover only
- ST743SB - Tank and Cover only (bolt down lid)
- ST743SD - Tank and Cover only (insulated tank)
- ST743SDB - Tank and Cover only (bolt down lid and insulated tank)
- ST743SR - Tank and Cover only (right hand trip lever)

- SS114 SoftClose® seat (sold separately)
- SS204 SoftClose® seat (sold separately)
- SC134 commercial seat (sold separately)
- SC534 commercial seat (sold separately)

COLORS/FINISHES

- Standard
#01 Cotton
#03 Bone
#11 Colonial White
#12 Sedona Beige
#51 Ebony



PRODUCT SPECIFICATION

The two-piece G-Max flushing system toilet shall be 1.6GPF/6.0LPF. Toilet shall have high-profile tank, elongated front bowl and chrome trip lever. Toilet model CST744SG shall have SanaGloss ceramic glaze. Toilet shall be TOTO Model CST744S_____.



CODES/STANDARDS

- Meets and exceeds ASME A112.19.2/CSA B45.1
- Certifications: IAPMO(cUPC), State of Massachusetts, City of Los Angeles, and others
- Code compliance: UPC, IPC, NSPC, NPC Canada, and others



CST744S(G)

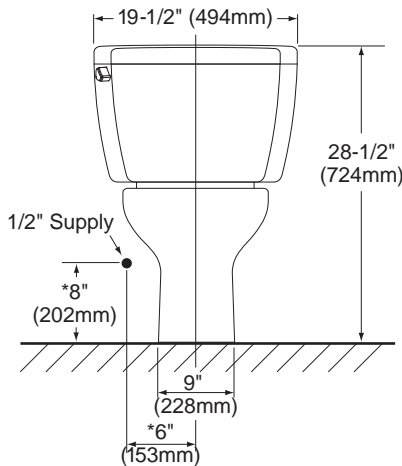
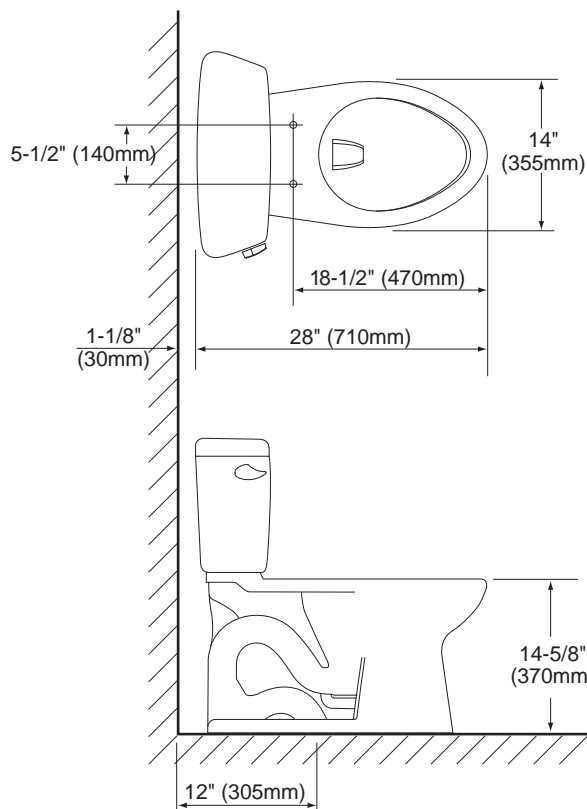
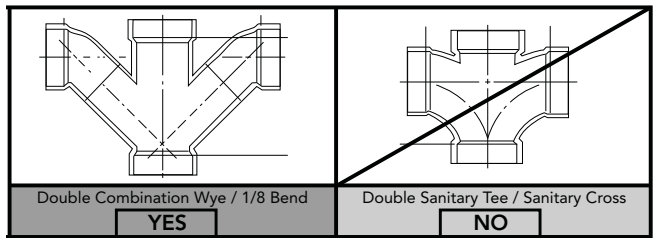
Drake® Close Coupled Toilet, 1.6GPF/6.0 GPF

SPECIFICATIONS

- Water Use 1.6 GPF/6.0LPF
 - Flush System G-Max
 - Min. Water Pressure 8 psi (static)
 - Water Surface 10-1/4" x 8-1/2"
 - Trap Diameter 2-1/8"
 - Rough-in 12"
 - Trap Seal 2-3/8"
 - Warranty One Year Limited Warranty
 - Material Vitreous china
 - Shipping Weight C744E(G) - 52lbs
ST743S - 35lbs
 - Shipping Dimensions C744E(G)
29-1/2" L x 16" W1
x 10-1/4" W2 x 18-1/4" H
- ST743S
20-1/8" L x 8-1/4" W
x 15-1/2" H

INSTALLATION NOTES

Back-to-Back Toilet Installations:
TOTO recommends the use of a nationally listed, double sanitary tee-wye only, in vertical waste stacks, in accordance with the stipulations noted in the majority of nationally recognized plumbing codes.



TOTO®

These dimensions and specifications are subject to change without notice