

TUB/SHOWER FAUCET

P18760
Lever Handle Shower Only

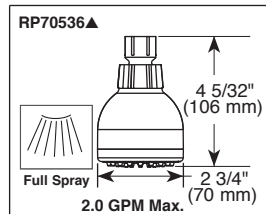
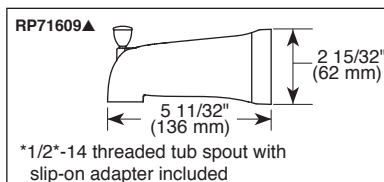
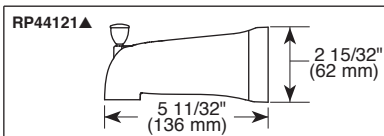
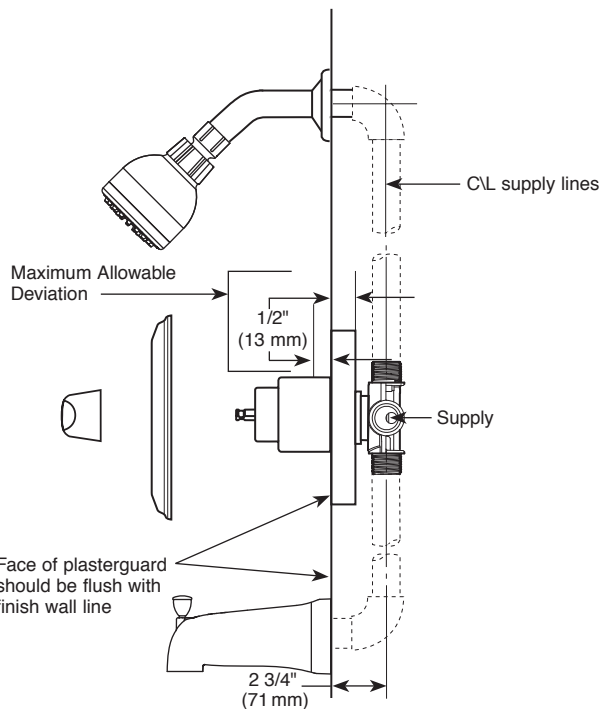
P18770
Lever Handle Tub/Shower

STANDARD SPECIFICATIONS

- Slip-on tub spout, model P18770.
- Both model P18760 Shower only and model P18770 Tub/Shower require 1 1/2" wall cavity.
- Valve has back-to-back installation capability.
- Forged brass body.
- Field adjustable means to limit handle rotation into hot water zone. Per ASSE 1016.
- Temperature control to rotate a maximum of 120° from full cold to the maximum temperature.
- Single Handle
- Pressure Balance
- Temperature Only Controlled with Handle

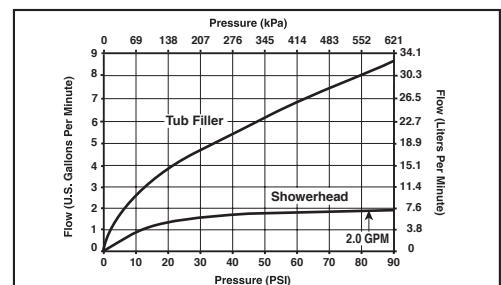
WARRANTY

- Lifetime limited warranty on parts (other than electronic parts and batteries) and finishes; or, for commercial users, for 5 years from the date of purchase.
- 5 year limited warranty on electronic parts (other than batteries); or for commercial users, for 1 year from the date of purchase. No warranty is provided on batteries.



COMPLIES WITH:

- ASME A112.18.1 / CSA B125.1
- Indicates compliance to ICC/ANSI A117.1 - Valve control only
- ASSE 1016
- EPA WaterSense®



▲ Designate Proper Finish Suffix