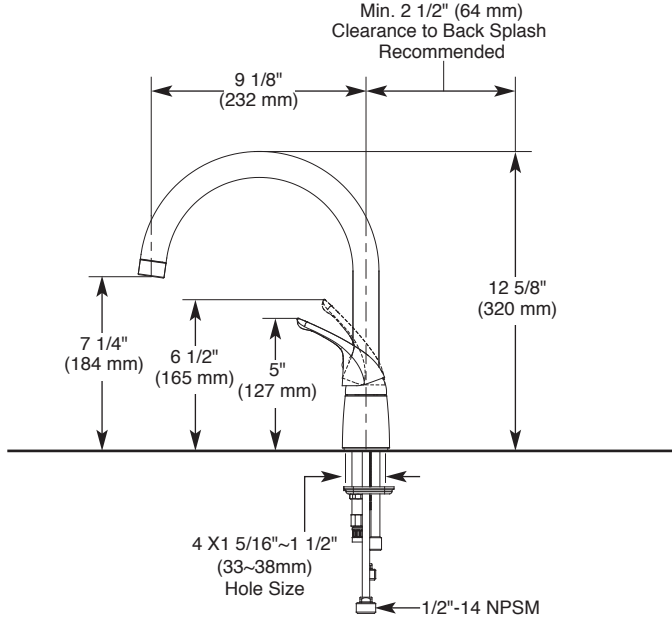


KITCHEN FAUCET

- Single handle, lever, kitchen faucet with matching side spray and soap dispenser.

STANDARD SPECIFICATIONS

- Single handle, 4 hole sinks.
- 12 5/8" (320 mm) high, 9 1/8" (232 mm) long spout, swings 360°.
- Model with spray attachment.
- 1/2"-14 NPSM threaded male inlet adapters.
- Lever handle with rotating stainless steel ball valve and replaceable non-metallic seats.



WARRANTY

- Lifetime limited warranty on parts (other than electronic parts and batteries) and finishes; or, for commercial users, for 5 years from the date of purchase.
- 5 year limited warranty on electronic parts (other than batteries); or for commercial users, for 1 year from the date of purchase. No warranty is provided on batteries.

COMPLIES WITH

- ASME A112.18.1/CSA B125.1
- Indicates compliance to ICC/ANSI A117.1
- Verified compliant with 0.25% weighted average Pb content regulations.

