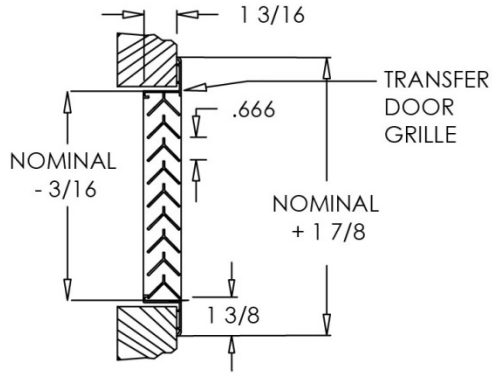
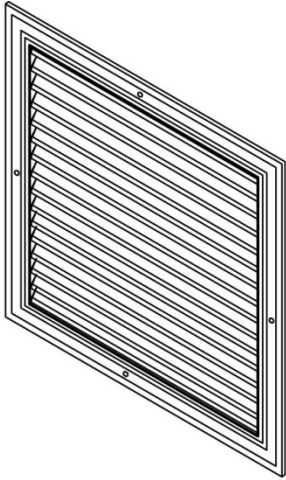




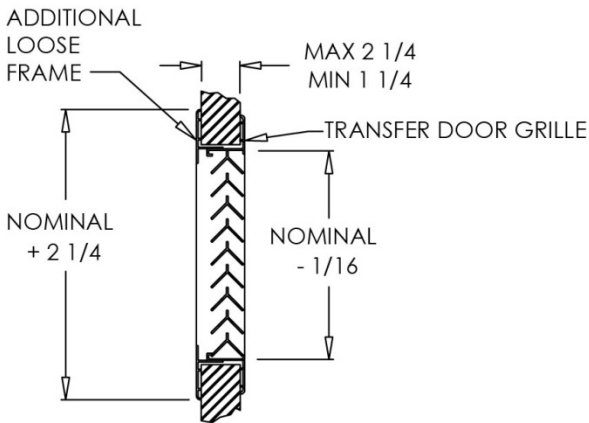
Commercial Submittal Sheet

4000 Series

Aluminum Transfer Door Grille (Single Frame)



4000 SERIES



4100 SERIES

Model: 4000

Description: Aluminum Transfer Door Grille (Single Frame)

Standard Features:

- Extruded aluminum transfer door grille, single frame with signature line marks
- Designed for high air capacities
- Designed to minimize vision through grille
- Accommodates door thicknesses ranging from 1 1/4" to 2 1/4"
- Countersunk mounting holes for flush appearance with color matching Phillips posi-drive screws
- Rust resistant pre-coat with durable powder finish
- Driftwood Tan

Options:

- Aluminum transfer door grille with additional loose frame (4100)
- MRI Compatible

Finishes:

Standard Colors

- Soft White
- Driftwood Tan

Designer Colors

- Almond
- Black Velvet
- Bronze
- Camaro Silver
- Coffee Tan
- Navajo White
- Vanilla

Other

- Aluminum Paint
- Glossy White

Additional Information:

Project / Location:	Submittal Notes
Engineer:	
Architect:	
Contractor:	