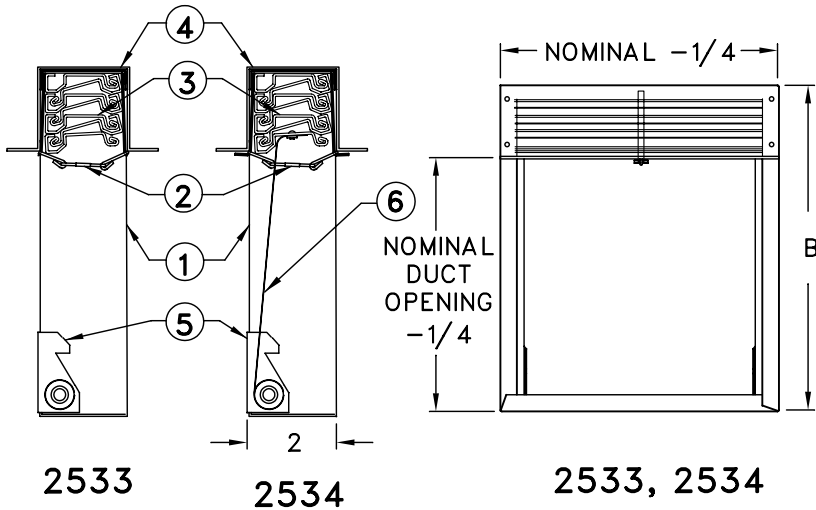

2533 Series
2534 Series
Thinline 2" Frame Curtain-type
1-1/2 Hour Fire Damper
Standard:

- 2533—Square or rectangular for Vertical mount only out-of-Airstream. Maximum size 48W, 41H
- 2534—Square or rectangular Spring actuated (6) for Vertical or Horizontal mount out of airstream. Maximum size 41W, 29H

- 2" Thinline frame style
- Interlocking steel roll-formed blade (3) with roll-formed frames (1)
- Blade Lock (5)
- Damper manufactured from corrosion tested galvanized mild steel (G-90)
- Self locking corner (4)
- 165°F replaceable fusible link (2)

Optional:

- Sleeve variations



Extended Sleeve height	
Duct Height	Height (B)
4-7"	+1 3/4"
8-12"	+2 3/4"
13-17"	+3 3/4"
18-24"	+4 3/4"
25-28"	+5 3/4"
29-34"	+6 3/4"
35-41"	+7 3/4"

'B' Dimension chart—
 Example: Height 'B' for 20"
 duct would be 24 3/4"

PROJECT	SUBMITTAL REVIEW
LOCATION	
ENGINEER	
ARCHITECT	
CONTRACTOR	