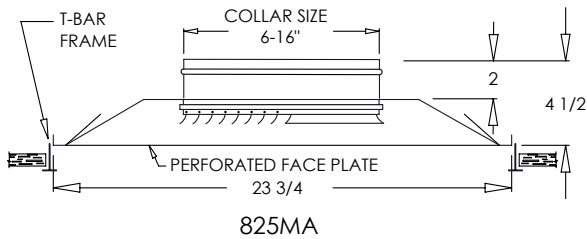


Standard Features:

- Adjustable modular cores with fixed curved blades
- Hinged perforated face with spring push release for easy access
- 3/16" holes on 1/4" staggered centers
- 2" ADC compliant round collar with bead for ease of installation
- Collar available in sizes 6"-10", 12", 14", and 16"
- Rust resistant pre-coat with durable powder finish
- Soft White

Options:

- BD – Field installable Bowtie Damper, available on sizes 6"-14"
- Square Collar
- Black Pan – Back pan powder coated black to reduce visibility into duct work
- TVB – Thermal Vapor Blanket
- NGD – Narrow ceiling grid dimples for 9/16" T-Rails, changes O.D. to 23 29/32"



825MA

Finishes:

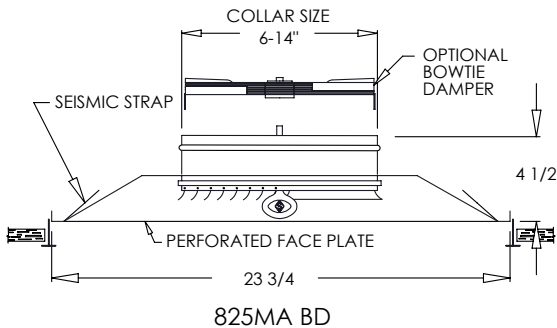
STANDARD COLORS

- Soft White
- Driftwood Tan

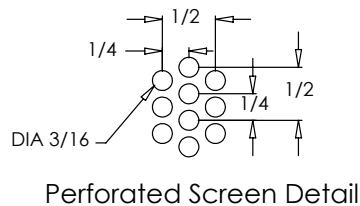
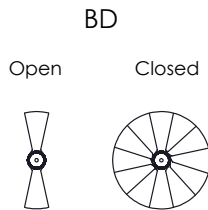
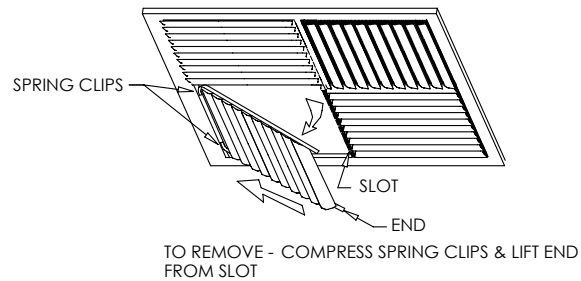
DESIGNER COLORS

- Black
- Bronze
- Storm Gray
- Cement Gray

- Aluminum Paint
- Coffee Tan
- Warm White
- Glossy White



825MA BD



Perforated Screen Detail

Product Notes:

This product is available in 16", 18" and 20" round collar sizes (only), these collar sizes change the overall depth to 5 3/8".

Additional Information:

Submittal Notes

Project / Location:	
Engineer:	
Architect:	
Contractor:	